

MAKER LINE - Simplifying Line Sensor (PIC16F1827)

SKU 101090001

Maker Line - Simplifying Line Sensor is a infrared Robotic sensor for Robotic car to track traveling line.

Do you want to build up a robot car? If the answer is yes, then you are supposed to get a view of this product-Simplifying Line Sensor. This sensor can test the robot car whose moving track is following the planned path.

This line sensor is assembled the PIC16F1827 chip, which has a CPU speed of 8 MIPS that means fast performance. This chip also can afford the communication peripherals, cause it support some basic interface such as UART, SPI, I2C.

The sensor has 5 infrared detectors in the front to measure the distance between the line and the sensor. 5 detectors are able to emit 5 digital signals corresponding to 5 digital pins.

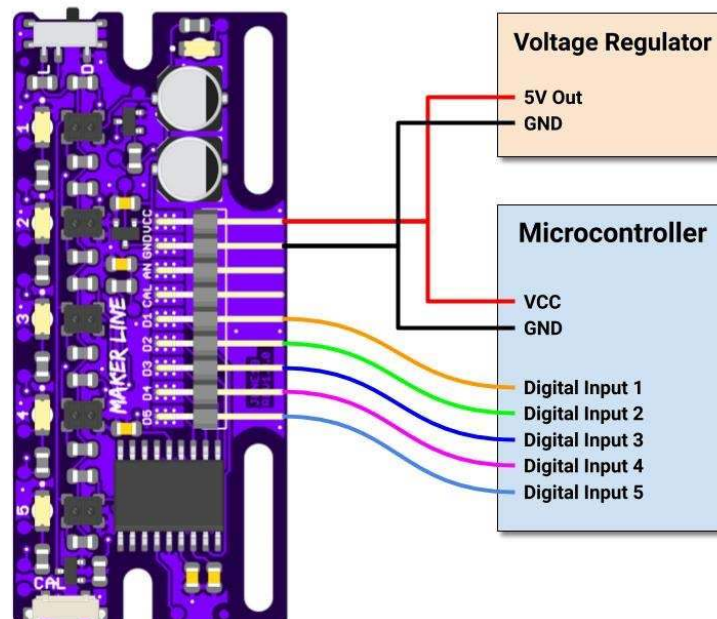
Except for the digital value, you can still get the analog signal from the analog pin. With the help of digital and analog signal, you may get a higher precision result for your project.

Feature

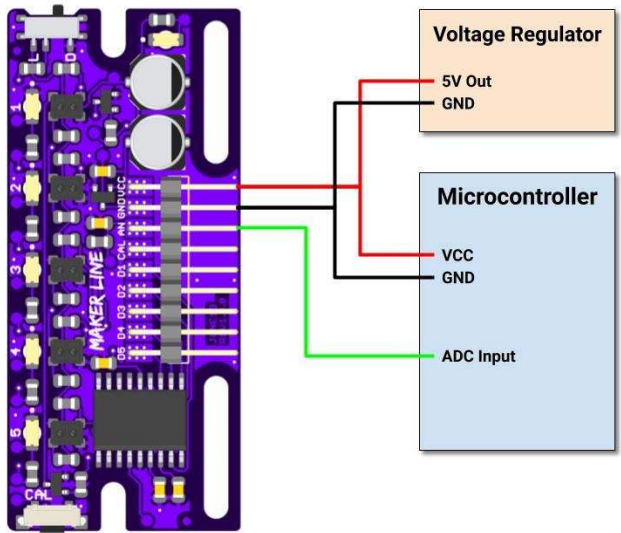
- Operating Voltage: DC 3.3V and 5V compatible (With reverse polarity protection).
- Recommended Line Width: 13mm to 30mm.
- Selectable line color (light or dark).
- Sensing Distance (Height): 4mm to 40mm ($V_{cc} = 5V$, Black line on white surface).
- Sensor Refresh Rate: 200Hz
- Easy calibration process.
- Dual Output Types: 5 x digital outputs represent each IR sensor state, 1 x analog output represents line position.
- Support wide range of controllers such as Arduino, Raspberry Pi, etc.

Interface

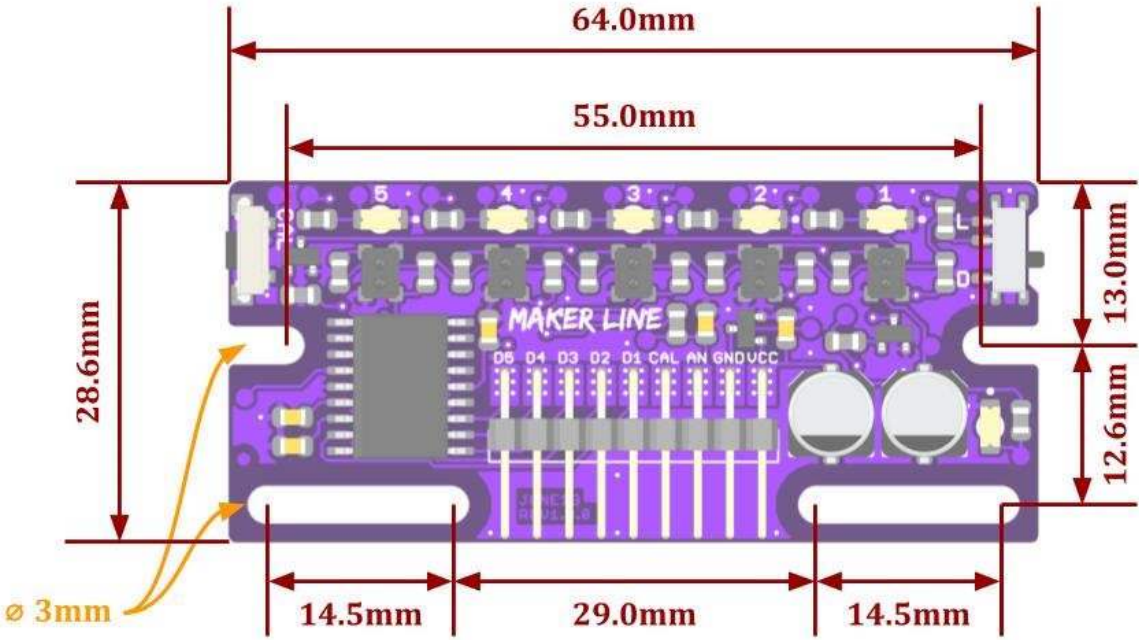
Digital Output

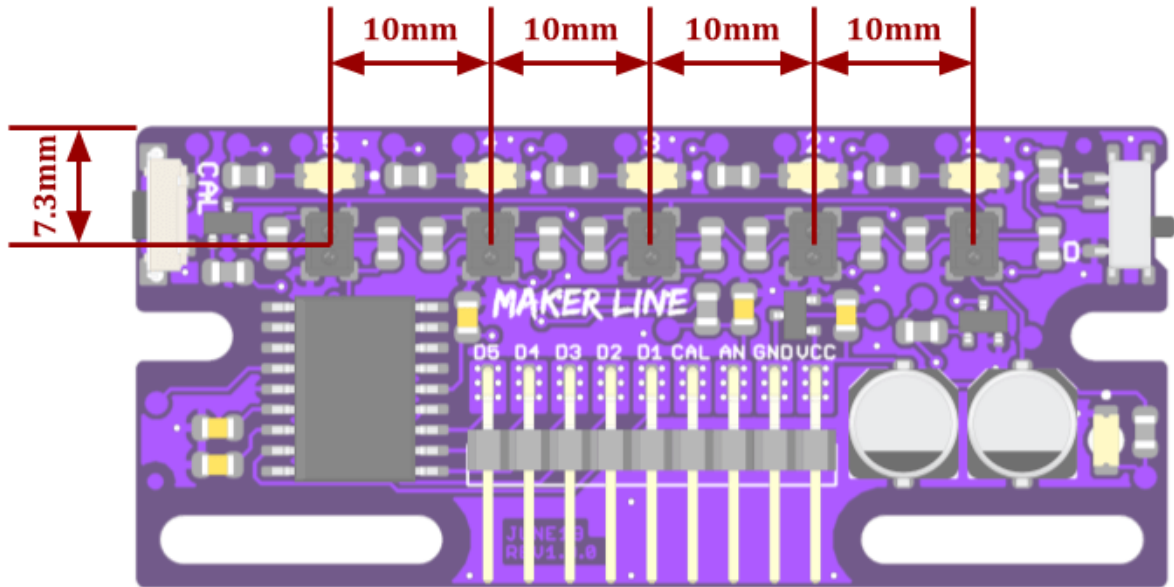


Analog Output



Dimension





ECCN/HTS

HSCODE	9031900090
UPC	

