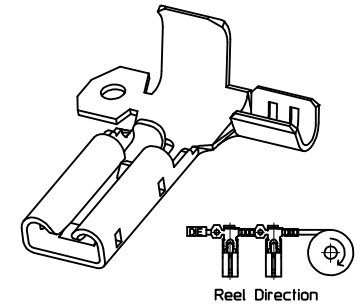
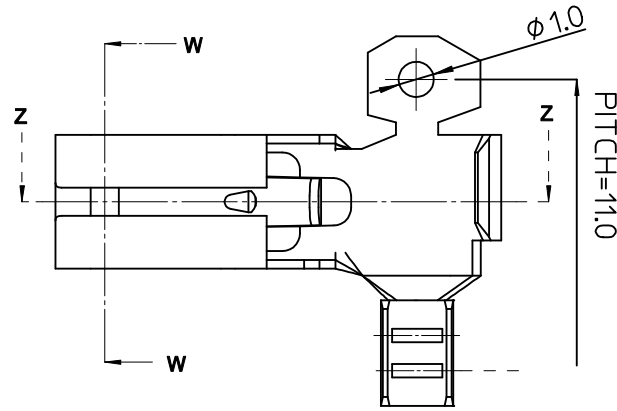
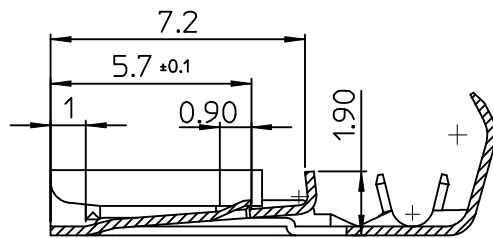
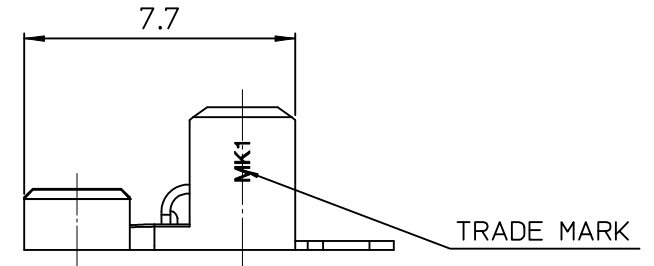
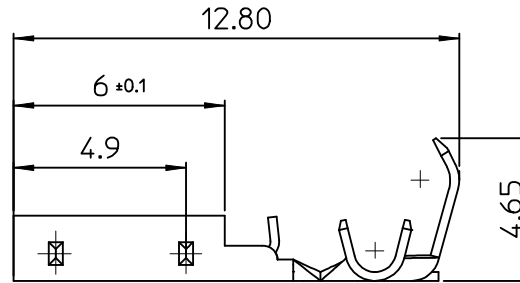
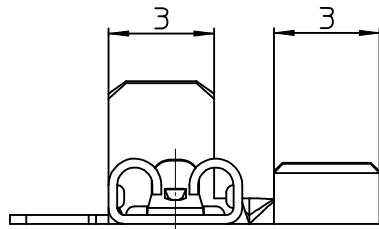


SECTION W-W



NOTES

1. MATERIAL : BRASS
2. FINISH : PRE-TIN PLATED
0.8~1.8 μ m TIN PLATING
OVERALL 0.3~0.8 μ m COPPER PLATING
3. PRODUCT SPECIFICATION : PS-104441-001
4. PACKING SPECIFICATION : PK-104441-001
5. CRIMPING SPECIFICATION : CS-104441-001
6. MATED TAB : 0.5 t
7. APPLICABLE WIRE RANGE :
AWG #24 (UL1007)
AWG #24+AWG #24 (UL1061)



SECTION Z-Z

NEW RELEASED EC NO: KOR2009-0084 DRAWN: JHPARK01 2009/03/02 CHKD: W. YANG 2009/03/02 APPR: YUNSIKIM 2009/03/02	DESCRIPTION REV: A	QUALITY SYMBOLS $\blacktriangledown=0$ $\nabla=0$	GENERAL TOLERANCES (UNLESS SPECIFIED)		DIMENSION STYLE MM ONLY	SCALE 7:1	DESIGN UNITS METRIC	THIRD ANGLE PROJECTION																
			<table border="1"> <thead> <tr> <th></th> <th>mm</th> <th>INCH</th> </tr> </thead> <tbody> <tr> <td>4 PLACES</td> <td>± ---</td> <td>± ---</td> </tr> <tr> <td>3 PLACES</td> <td>± ---</td> <td>± ---</td> </tr> <tr> <td>2 PLACES</td> <td>± 0.20</td> <td>± ---</td> </tr> <tr> <td>1 PLACE</td> <td>± 0.30</td> <td>± ---</td> </tr> </tbody> </table>		mm	INCH	4 PLACES	± ---	± ---	3 PLACES	± ---	± ---	2 PLACES	± 0.20	± ---	1 PLACE	± 0.30	± ---	ANGULAR ± 1 °	DRAWN BY JH. PARK	DATE 2009/02/27	TITLE .110 P-LOCK FLAG TERMINAL		
			mm	INCH																				
		4 PLACES	± ---	± ---																				
3 PLACES	± ---	± ---																						
2 PLACES	± 0.20	± ---																						
1 PLACE	± 0.30	± ---																						
DRAFT WHERE APPLICABLE MUST REMAIN WITHIN DIMENSIONS			SEE NOTES	APPROVED BY WY. YANG	DATE 2009/02/27	MOLEX INCORPORATED																		
			MATERIAL NO.	DOCUMENT NO. SD-104441-001	SHEET NO. 1 OF 01																			