

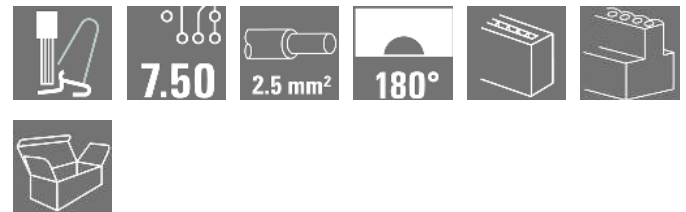
MPS 7S/06 S F3 TN B B**Weidmüller Interface GmbH & Co. KG**

Klingenbergstraße 26

D-32758 Detmold

Germany

www.weidmueller.com

Product image**SNAP IN** **OMNIMATE® 4.0 - the next evolution step**

OMNIMATE® 4.0 follows the trend of One Cable Technology (OCT). The modular concept enables the fast configuration of hybrid interfaces, which transmit data, signals and energy in a single connector. As a result, you can reduce the cabling effort in a wide variety of applications, simplify maintenance and accelerate automation processes. The unique SNAP IN connection is the backbone and speeds up the wiring process.

The fastest connection yet

- Fast, safe, and tool-free wiring due to unique SNAP IN connection
- Ready for Robot through "wire ready" delivery with open clamping point
- Optical and acoustic feedback indicates proper wiring

Create your own configuration

- Flexible configuration and ordering via the Weidmüller Configurator (WMC)
- Dispatch within three days – even for individually configured products
- Automatic offer preparation for the configured product

Simply configuration of modular hybrid connectors

- Flexible combination options for power, signal and data transmission
- Future-proof Single-Pair Ethernet technology

General ordering data

| | |
|--------------|--|
| Version | PCB plug-in connector, female plug, Pitch in mm (P): 7.50 mm, Number of poles: 6, Box |
| Order No. | 8000078357 |
| Type | MPS 7S/06 S F3 TN B B |
| GTIN (EAN) | 4064675622901 |
| Qty. | 42 pc(s). |
| Product data | IEC: 1000 V / 34.6 A / 0.5 - 4 mm ² UL: 600 V / 18.5 A / AWG 20 - AWG 12 |
| Packaging | Box |

Creation date August 28, 2023 3:45:20 PM CEST

Catalogue status 18.08.2023 / We reserve the right to make technical changes.

MPS 7S/06 S F3 TN B B

Weidmüller Interface GmbH & Co. KG

Klingenbergstraße 26

D-32758 Detmold

Germany

www.weidmueller.com

Technical data

Dimensions and weights

| | | | |
|------------|----------|-----------------|------------|
| Depth | 34.95 mm | Depth (inches) | 1.376 inch |
| Height | 17.5 mm | Height (inches) | 0.689 inch |
| Width | 43.3 mm | Width (inches) | 1.705 inch |
| Net weight | 3.683 g | | |

Temperatures

| | | | |
|-----------------------------|--------|-----------------------------|--------|
| Operating temperature, min. | -50 °C | Operating temperature, max. | 125 °C |
|-----------------------------|--------|-----------------------------|--------|

System Parameters

| | | | |
|--|------------------------|-------|--|
| Product family | OMNIMATE 4.0 | | |
| Type of connection | Field connection | | |
| Wire connection method | SNAP IN | | |
| Pitch in mm (P) | 7.5 mm | | |
| Pitch in inches (P) | 0.295 inch | | |
| Conductor outlet direction | 180° | | |
| Number of poles | 6 | | |
| L1 in mm | 37.5 mm | | |
| L1 in inches | 1.476 inch | | |
| Number of rows | 1 | | |
| Pin series quantity | 1 | | |
| Touch-safe protection acc. to DIN VDE 57 106 | Safe from finger touch | | |
| Touch-safe protection acc. to DIN VDE 0470 | IP 20 | | |
| Protection degree | IP20 | | |
| Stripping length | 9 mm | | |
| Stripping length tolerance | min. | 8 mm | |
| | max. | 10 mm | |
| Plugging cycles | 25 | | |
| Plugging force/pole, max. | 9 N | | |
| Pulling force/pole, max. | 8 N | | |

Material data

| | | | |
|----------------------------------|----------|-----------------------------|--------|
| Insulating material | PBT GF | Colour | black |
| Colour chart (similar) | RAL 9011 | Insulating material group | I |
| Comparative Tracking Index (CTI) | ≥ 600 | UL 94 flammability rating | V-0 |
| Contact material | CuSn | Contact surface | tinned |
| Storage temperature, min. | -25 °C | Storage temperature, max. | 55 °C |
| Operating temperature, min. | -50 °C | Operating temperature, max. | 125 °C |

Conductors suitable for connection

| | |
|---|----------------------|
| Clamping range, min. | 0.34 mm ² |
| Clamping range, max. | 4 mm ² |
| Wire connection cross section AWG, min. | AWG 20 |
| Wire connection cross section AWG, max. | AWG 12 |
| Solid, min. H05(07) V-U | 0.5 mm ² |
| Solid, max. H05(07) V-U | 2.5 mm ² |
| Flexible, min. H05(07) V-K | 0.5 mm ² |
| Flexible, max. H05(07) V-K | 4 mm ² |

Creation date August 28, 2023 3:45:20 PM CEST

MPS 7S/06 S F3 TN B B

Weidmüller Interface GmbH & Co. KG
 Klingenbergstraße 26
 D-32758 Detmold
 Germany

www.weidmueller.com

Technical data

w. plastic collar ferrule, DIN 46228 pt 4, 0.34 mm²
 min.

w. plastic collar ferrule, DIN 46228 pt 4, 2.5 mm²
 max.

w. wire end ferrule, DIN 46228 pt 1, 0.34 mm²
 min.

w. wire end ferrule, DIN 46228 pt 1, 2.5 mm²
 max.

Outer diameter of insulation, max. 4 mm

| Clampable conductor | Cross-section for conductor connection | | nominal | 0.34 mm ² | |
|--|--|------------------------------|-----------------------------|----------------------|--|
| | wire end ferrule | Stripping length | nominal | 10 mm | |
| Recommended wire-end ferrule | | H0.34/12 TK | | | |
| Cross-section for conductor connection | | nominal | 0.5 mm ² | | |
| wire end ferrule | Stripping length | nominal | 12 mm | | |
| | Recommended wire-end ferrule | H0.5/16 OR | | | |
| | Stripping length | nominal | 10 mm | | |
| | Recommended wire-end ferrule | H0.5/10 | | | |
| Cross-section for conductor connection | nominal | 0.75 mm ² | | | |
| | wire end ferrule | Stripping length | nominal | 12 mm | |
| | | Recommended wire-end ferrule | H0.75/16 W | | |
| | | Stripping length | nominal | 10 mm | |
| Recommended wire-end ferrule | H0.75/10 | | | | |
| Cross-section for conductor connection | nominal | 1 mm ² | | | |
| | wire end ferrule | Stripping length | nominal | 12 mm | |
| | | Recommended wire-end ferrule | H1.0/16 GE | | |
| | | Stripping length | nominal | 10 mm | |
| Recommended wire-end ferrule | H1.0/10 | | | | |
| Cross-section for conductor connection | nominal | 1.5 mm ² | | | |
| | wire end ferrule | Stripping length | nominal | 12 mm | |
| | | Recommended wire-end ferrule | H1.5/16 R | | |
| | | Stripping length | nominal | 10 mm | |
| Recommended wire-end ferrule | H1.5/10 | | | | |
| Cross-section for conductor connection | nominal | 2.5 mm ² | | | |
| | wire end ferrule | Stripping length | nominal | 10 mm | |
| | | Recommended wire-end ferrule | H2.5/15D BL | | |
| | | Stripping length | nominal | 10 mm | |
| Recommended wire-end ferrule | H2.5/10 | | | | |

Reference text The outside diameter of the plastic collar should not be larger than the pitch (P)

MPS 7S/06 S F3 TN B B

Weidmüller Interface GmbH & Co. KG

Klingenbergstraße 26

D-32758 Detmold

Germany


www.weidmueller.com

Technical data

Rated data acc. to IEC

| | | | |
|--|------------------------|---|---------|
| tested acc. to standard | IEC 60664-1, IEC 61984 | Rated current, min. number of poles (Tu=20°C) | 34.6 A |
| Rated current, max. number of poles (Tu=20°C) | 29.1 A | Rated current, min. number of poles (Tu=40°C) | 30.7 A |
| Rated current, max. number of poles (Tu=40°C) | 25.9 A | Rated voltage for surge voltage class / pollution degree II/2 | 1,000 V |
| Rated voltage for surge voltage class / pollution degree III/2 | 1,000 V | Rated voltage for surge voltage class / pollution degree III/3 | 630 V |
| Rated impulse voltage for surge voltage class/ pollution degree II/2 | 6 kV | Rated impulse voltage for surge voltage class/ pollution degree III/2 | 8 kV |

Rated data acc. to UL 1059

| | | | |
|---------------------------------------|---|---------------------------------------|---------|
| Institute (cURus) |  | Certificate No. (cURus) | E60693 |
| Rated voltage (Use group B / UL 1059) | 600 V | Rated voltage (Use group C / UL 1059) | 600 V |
| Rated voltage (Use group D / UL 1059) | 600 V | Rated voltage (Use group F / UL 1059) | 1,000 V |
| Rated current (Use group B / UL 1059) | 18.5 A | Rated current (Use group C / UL 1059) | 18.5 A |
| Rated current (Use group D / UL 1059) | 10 A | Rated current (Use group F / UL 1059) | 18.5 A |
| Wire cross-section, AWG, min. | AWG 20 | Wire cross-section, AWG, max. | AWG 12 |
| Reference to approval values | Specifications are maximum values, details - see approval certificate. | | |

Classifications

| | | | |
|-------------|-------------|-------------|-------------|
| ETIM 6.0 | EC002638 | ETIM 7.0 | EC002638 |
| ETIM 8.0 | EC002638 | ECLASS 9.0 | 27-44-03-09 |
| ECLASS 9.1 | 27-44-03-09 | ECLASS 10.0 | 27-44-03-09 |
| ECLASS 11.0 | 27-46-02-02 | ECLASS 12.0 | 27-46-02-02 |

Important note

| | |
|----------------|--|
| IPC conformity | Conformity: The products are developed, manufactured and delivered according international recognized standards and norms and comply with the assured properties in the data sheet resp. fulfill decorative properties in accordance with IPC-A-610 "Class 2". Further claims on the products can be evaluated on request. |
| Notes | <ul style="list-style-type: none"> Rated current related to rated cross-section & min. No. of poles. P on drawing = pitch Rated data refer only to the component itself. Clearance and creepage distances to other components are to be designed in accordance with the relevant application standards. Wire end ferrule without plastic collar to DIN 46228/1 Long term storage of the product with average temperature of 50 °C and average humidity 70%, 36 months |

Data sheet

MPS 7S/06 S F3 TN B B

Weidmüller Interface GmbH & Co. KG
 Klingenbergstraße 26
 D-32758 Detmold
 Germany

www.weidmueller.com

Technical data

Approvals

Approvals



| | |
|-------------------------|------------|
| UL File Number Search | UL Website |
| Certificate No. (cURus) | E60693 |

Downloads

| | |
|---|---|
| Approval/Certificate/Document of Conformity | Declaration of the Manufacturer |
| Engineering Data | CAD data – STEP |
| User Documentation | Assembly instructions MPS 5 EN DE |
| Catalogues | Catalogues in PDF-format |

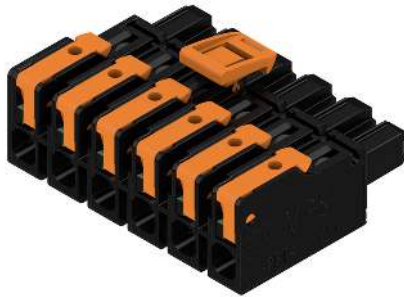
MPS 7S/06 S F3 TN B B

Weidmüller Interface GmbH & Co. KG
 Klingenbergstraße 26
 D-32758 Detmold
 Germany

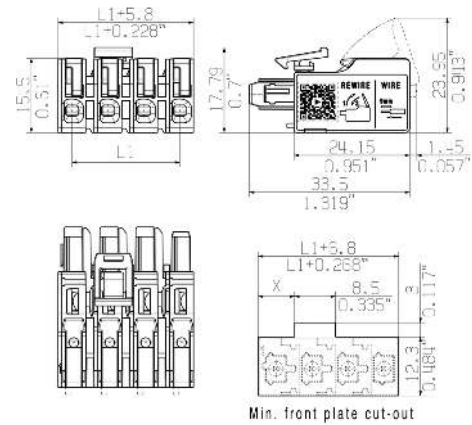
www.weidmueller.com

Drawings

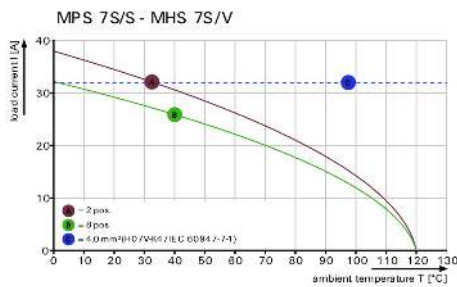
Product image



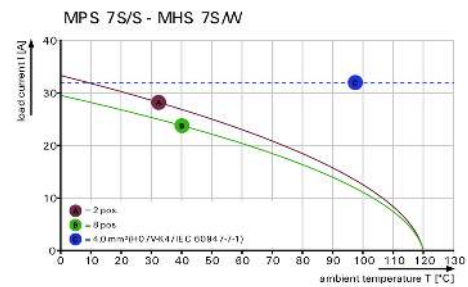
Dimensional drawing



Derating curve



Derating curve



Product benefits



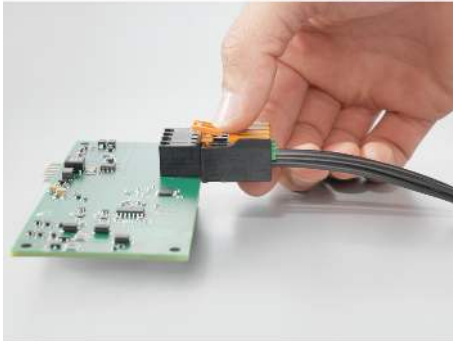
MPS 7S/06 S F3 TN B B

Weidmüller Interface GmbH & Co. KG
Klingenbergstraße 26
D-32758 Detmold
Germany

www.weidmueller.com

Drawings

Product benefits



Easy one-handed use of top-fixation

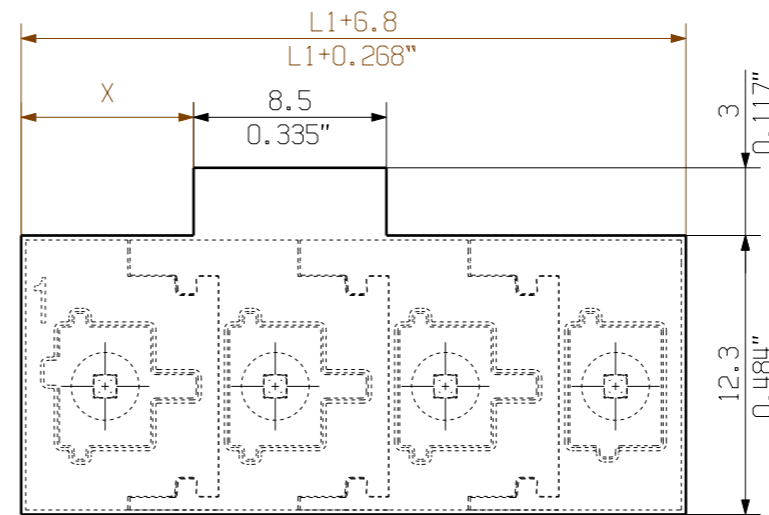
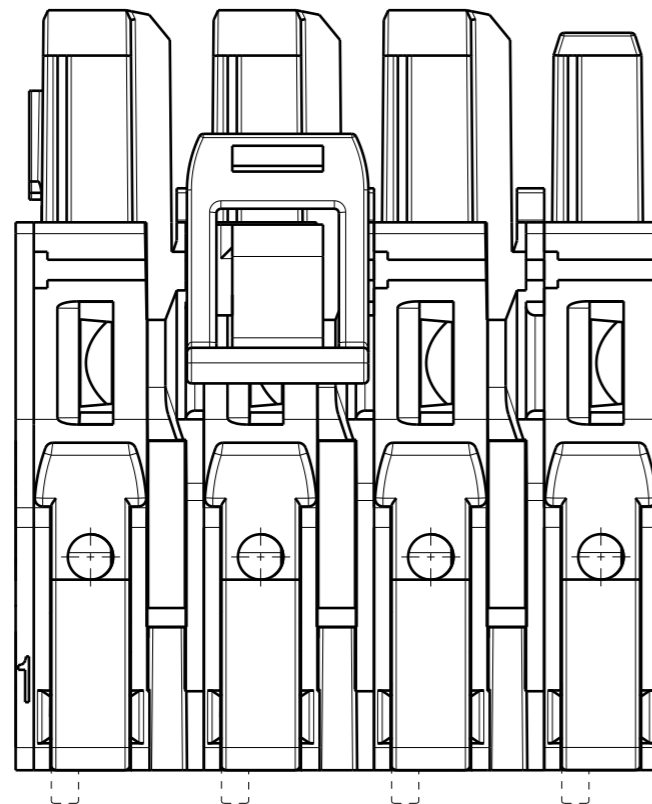
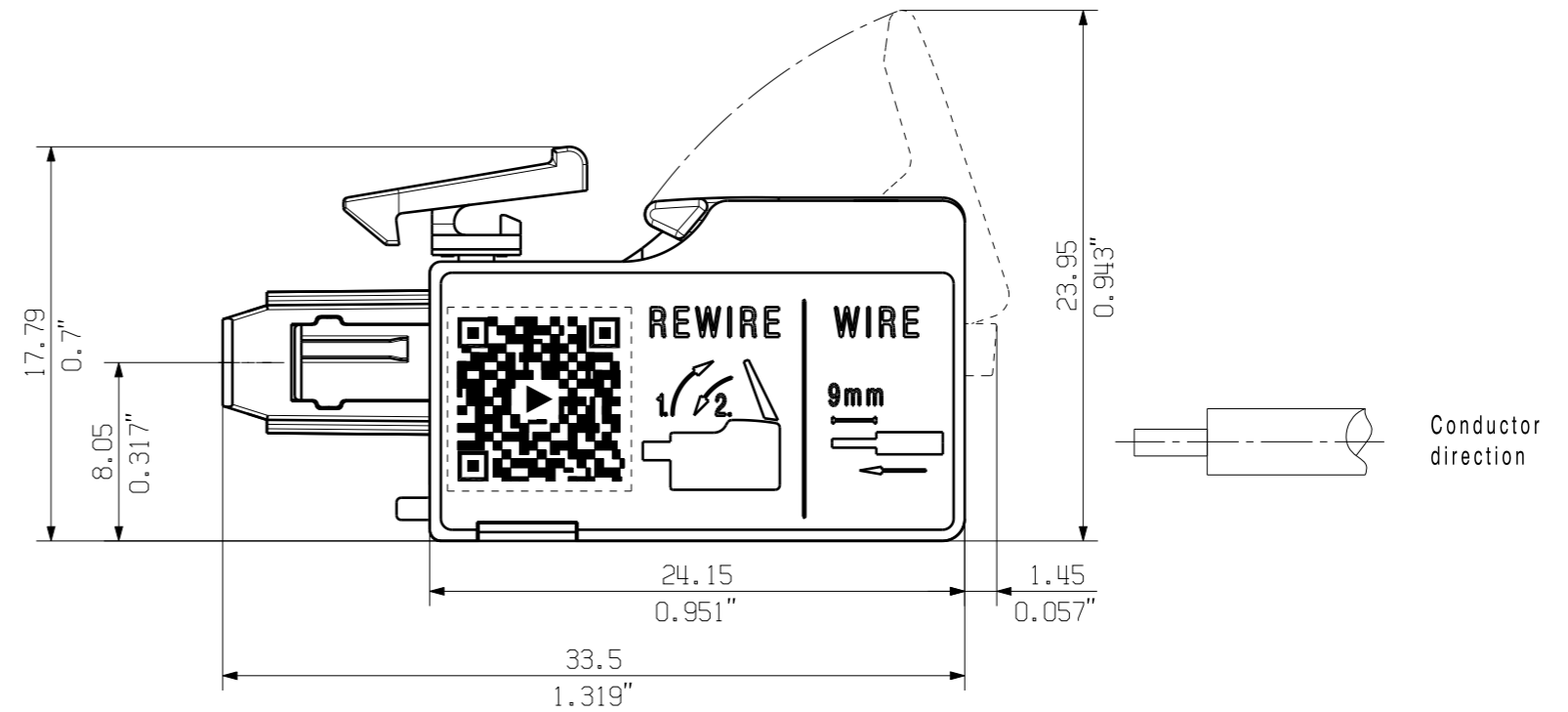
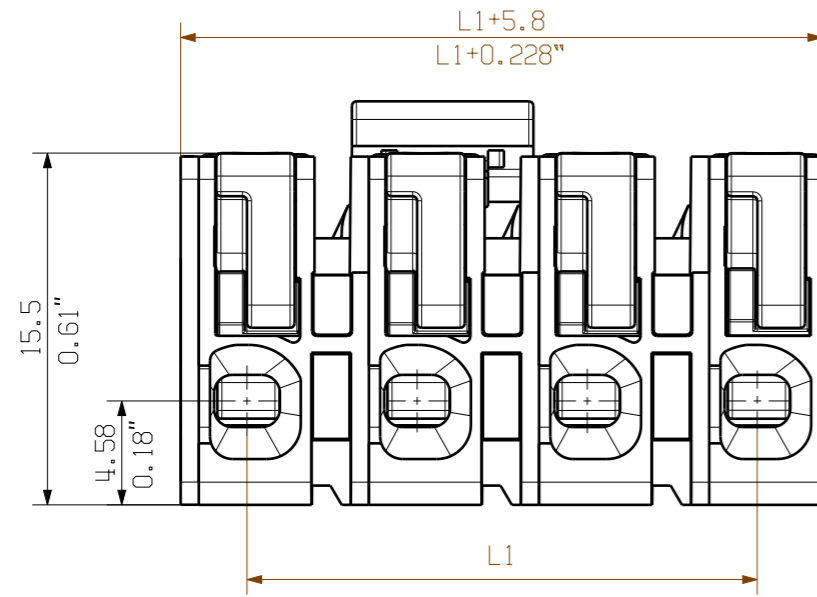
Product benefits



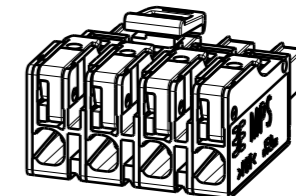
Fastest connection technology SNAP IN

Allgemeinguetliche Kundenzeichnung, aktueller Stand nur auf Anfrage
 General customer drawing, topical version only if required

Shown: MPS 7.5/4 S F2



Min. front plate cut-out



M 1/1

Further dim. & info. see data sheet

| | | | | |
|---------|---------|-----------|--------|----------|
| 8 | 52.50 | 2.067 | 22.60 | 0.890 |
| 7 | 45.00 | 1.772 | 22.60 | 0.890 |
| 6 | 37.50 | 1.476 | 15.10 | 0.594 |
| 5 | 30.00 | 1.181 | 15.10 | 0.594 |
| 4 | 22.50 | 0.886 | 7.60 | 0.299 |
| 3 | 15.00 | 0.591 | 7.60 | 0.299 |
| 2 | 7.50 | 0.295 | 0.10 | 0.004 |
| n Poles | L1 [mm] | L1 [inch] | X [mm] | X [inch] |

For the mounting of PCBs, it should be noted that the rated data given in the catalogue relates only to the connection elements. The necessary creepage and clearance paths must be observed in connection with the respective applicant in accordance to VDE 0110. The current-carrying capacity and pitch tolerance is to be determined according to DIN IEC 326 part 3 very fine.

Weidmüller connectors are tested to the DIN VDE 0627 standard, and are valid for its field of application. Provided that the connectors are used to the intended purpose, all requirements with respect to the occurring of electrical, mechanical, thermic and corrosive stress will be satisfied.

| | | | | | | |
|-------------------|------------------|----------------|---|--|--------------------|--|
| | First Issue Date | Max. nos. | Prim PLM Part No.: | | Prim ERP Part No.: | |
| | 17.08.2020 | Modification | | | | |
| | Scale: 3/1 | Size: A3 | 73146 Drawing no. Issue no. 0 Sheet 4 of 4 sheets | | | |
| | Drawn | Date | Name | MPS 7S/... S ... Product file: | | |
| Responsible | 17.08.2020 | Tauber-Reglin, | | | | |
| Approved | 06.05.2021 | Sapina, Svetos | | | | |
| Drawings Assembly | | | | | | |

The reproduction, distribution and utilization of this document as well as the communication of its contents to others without explicit authorization is prohibited. Offenders will be held liable for the payment of damages. Weidmüller exclusively reserves the right to file for patents, utility models or designs.

© Weidmüller Interface GmbH & Co. KG