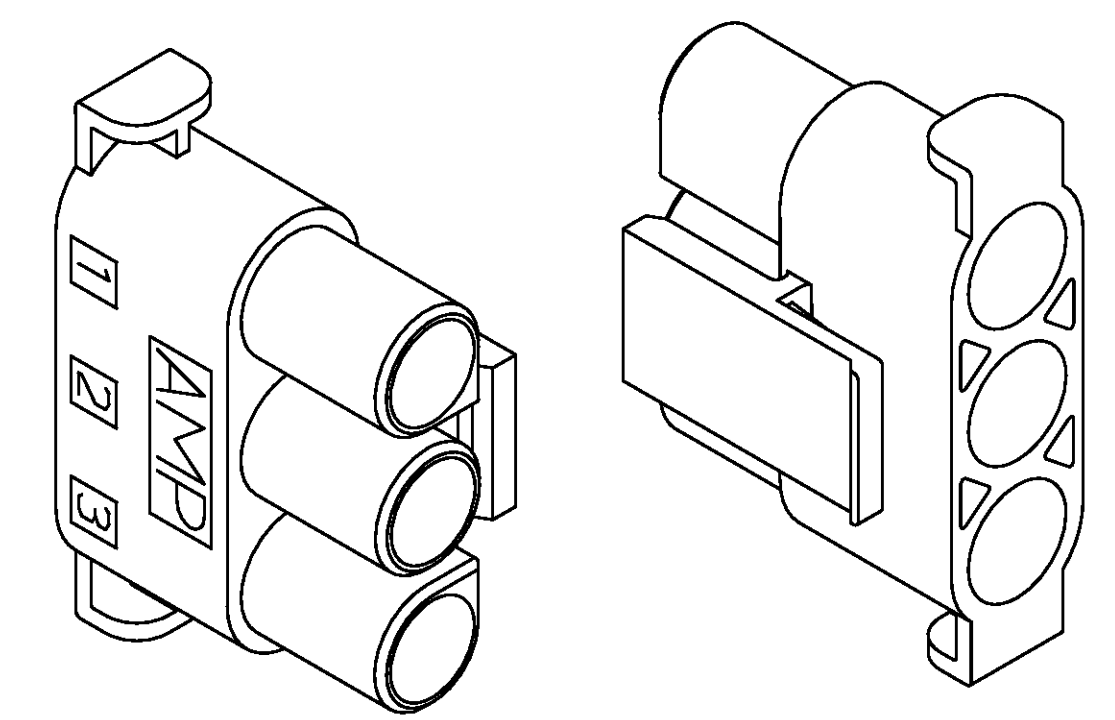
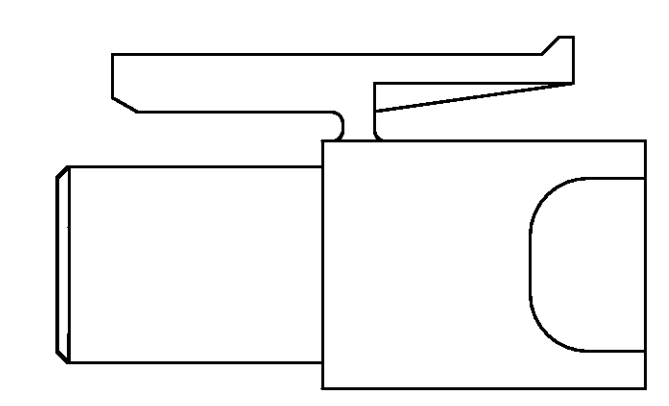
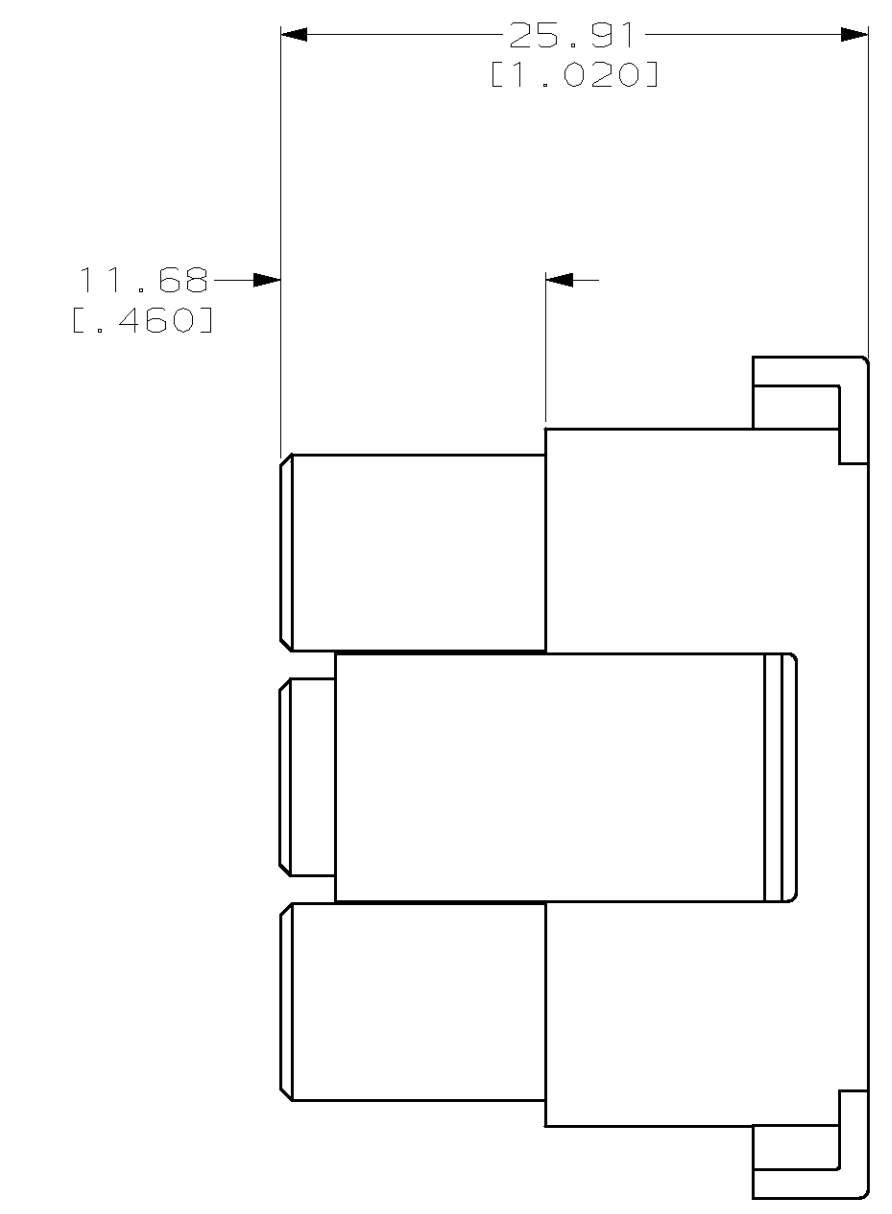
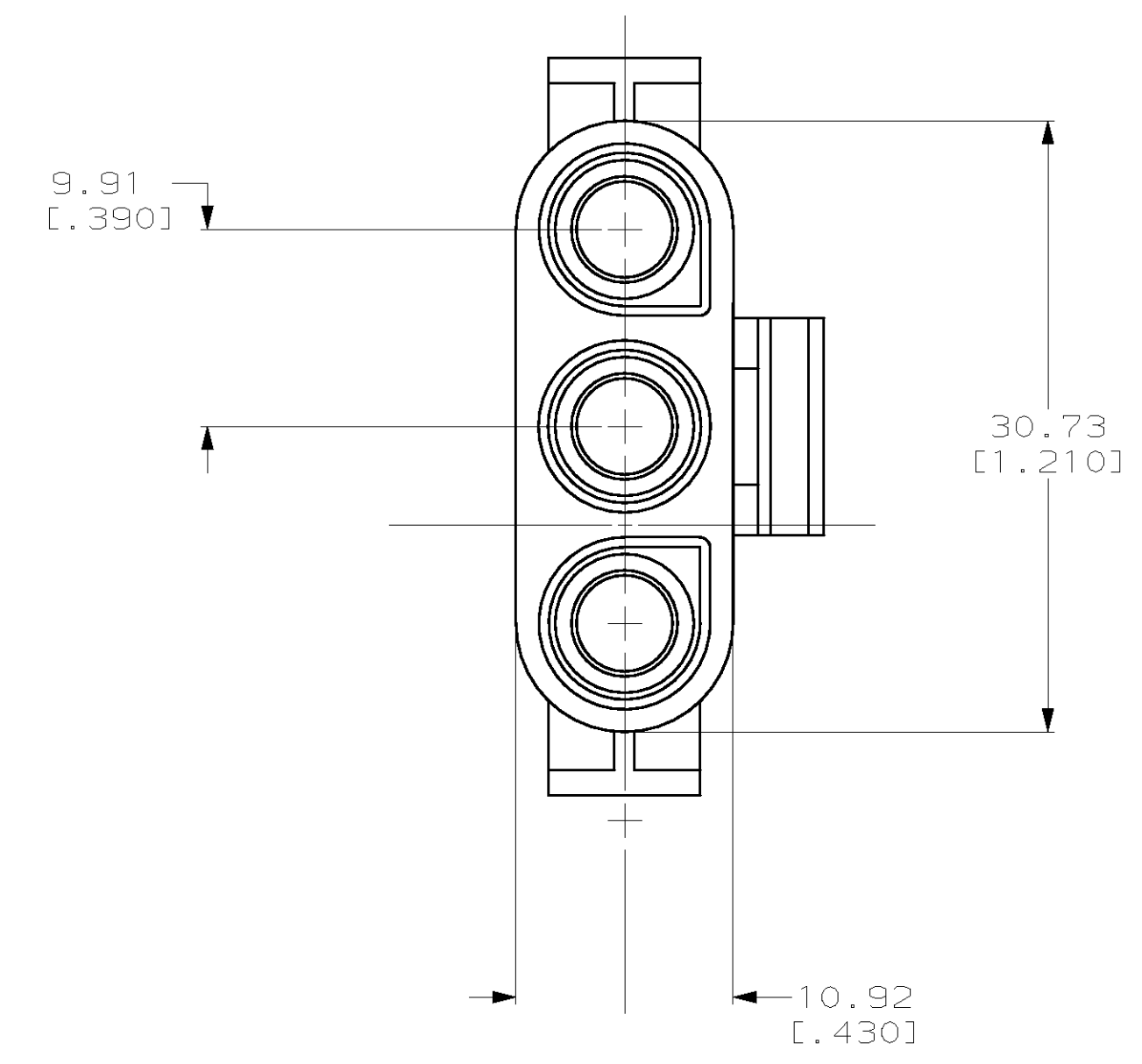
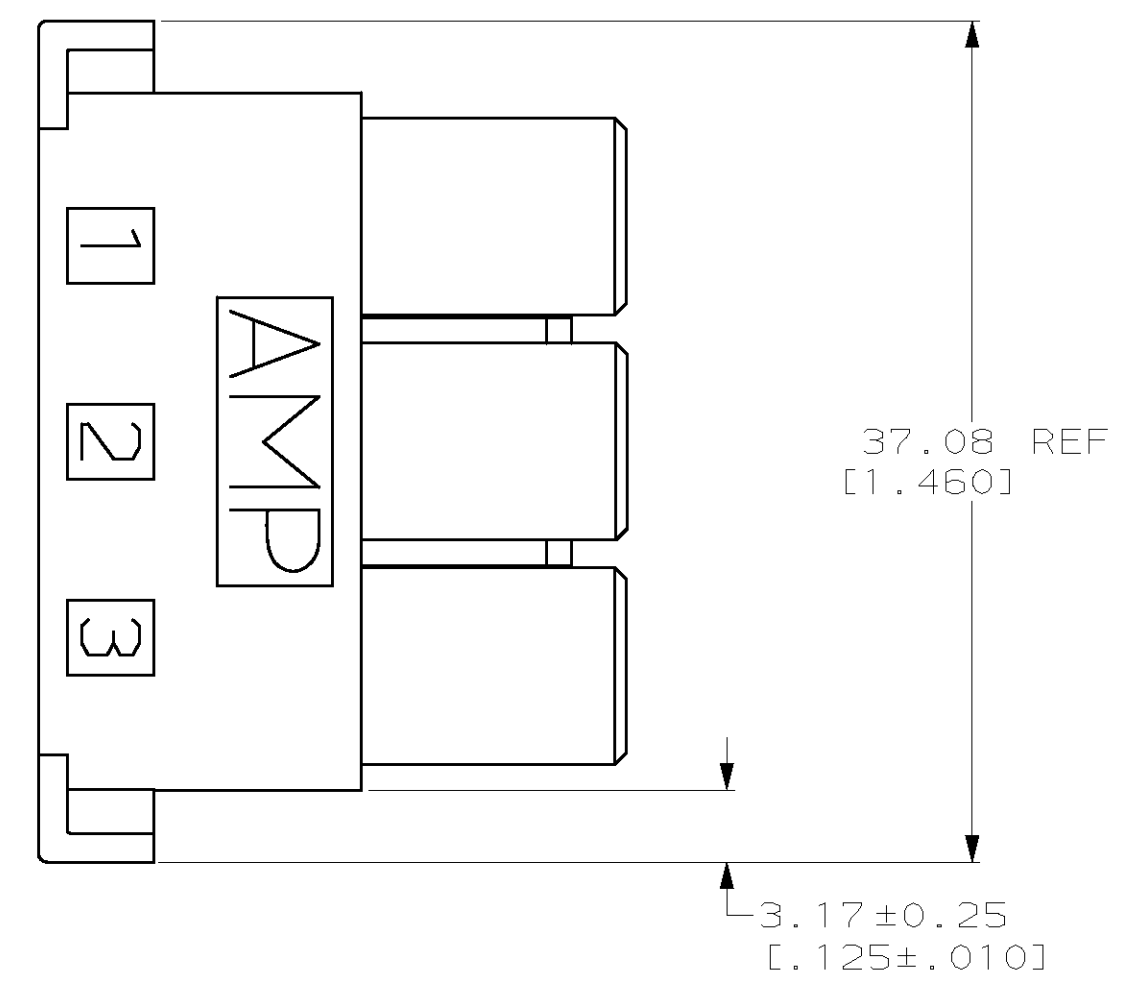


LOC		QTY		REVISIONS			
CM	53	TR	LYR	DESCRIPTION	DATE	OWN	APVD
		0		RLSD PER PR CM 97-92	8-05-97	BL	RS

1. TO BE USED WITH APPROPRIATE 3.96 [1.156] MATE-N-LOK SOCKETS.
2. DIMENSIONS IN BRACKETS ARE IN INCHES.



3-DIMENSIONAL MODEL
NTS

794412-1
PART NUMBER

METRIC

THIS DRAWING IS A CONTROLLED DOCUMENT.		OWN B. LEWIS 8-05-97	AMP AMP Incorporated Harrisburg, PA 17105-3608	
DIMENSIONS: INCHES		CHK R. SWING 8-05-97	NAME PLUG, 3 CIRCUIT, .156 MATE-N-LOK™	
TOLERANCES UNLESS OTHERWISE SPECIFIED:		APVD G. MARTIN 8-05-97	PRODUCT SPEC	
1. PLC ±-	2. PLC ±-	APPLICATION SPEC		
3. PLC ±0.13 (.005)	4. PLC ±-	HEIGHT		
ANGLES 10°-30°	FINISH -	SIZE A1	CAGE CODE 00779	DRAWING NO 794412
MATERIAL NYLON UL94V-2	HEIGHT	CUSTOMER DRAWING		
SCALE 3:1		SHEET 1 OF 1 REV 0		