

DIM. A = 1.50 x NO. OF SPACES
 DIM. B = DIM. A + 4.5
 DIM. C = DIM. A + 2.1

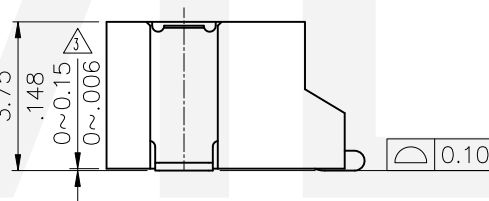
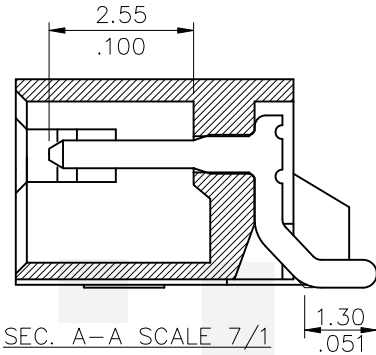
* AVAILABLE IN 2 THROUGH 15 CIRCUITS

Material:

Insulator: High temperature plastic
 UL 94V-0 ,Color Nature

Contact: Brass with Matte Tin plated

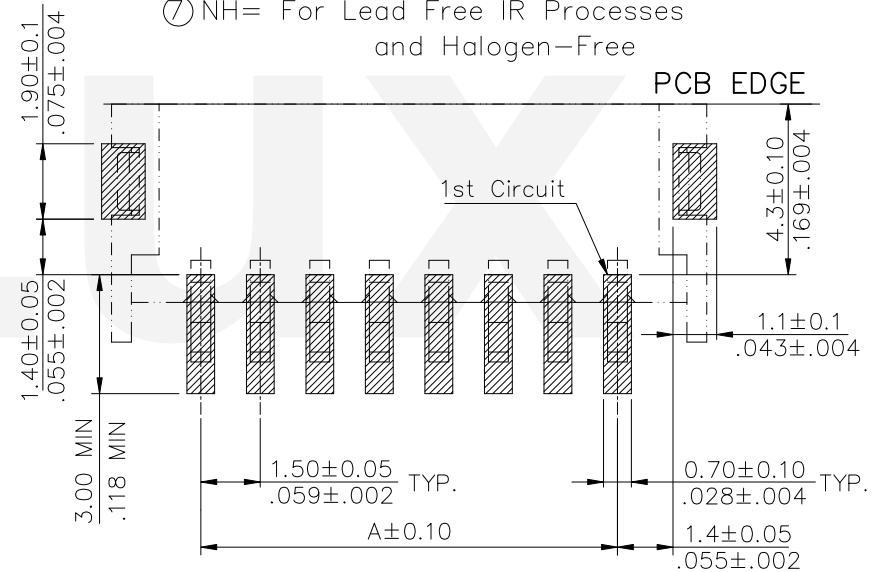
Tab: Brass with Matte Tin plated



ORDERING CODE

CI15 ** M 1 H R0 -NH
 ① ② ③ ④ ⑤ ⑥ ⑦

- ① Series No.
- ② Contacts: 02 to 15
- ③ M= SMT type header
- ④ Plating:
 1= 100 μ" Min. Tin Plated
 over 50 μ" Nickel (Matte Tin Finish)
 2= 0.02 μm(0.8 μ) Gold plated
 over 1.27 μm(50 μ") Nickel
- ⑤ Type: H= Right angle
- ⑥ Other option:
 R0= Tape & reel packing (Standard)
 T0= Tube packing
- ⑦ NH= For Lead Free IR Processes
 and Halogen-Free




Recommended P.C. Board Layout

Halogen-Free

Lead Free Process

RoHS compliant

④						DATE	UNIT: mm / inch	TITLE: 1.50MM(.059") Right Angle SMT Type Header	 瀚荃股份有限公司 CviLux Corporation
③	Sun	7/05-16'	ECRH116023/ECNT116141	DRAWN BY: Yushu	11/25-19'	TOLERANCE UNLESS OTHERWISE SPECIFIED	MATERIAL:	DRAWING NO. CI1527SE	
②	Enyo	9/11-13'	ECNT113054/ECRH113002	ENGINEER: Sun	12/10-19'	.X ± 0.30/.012 .X' ± r'	FINISH:	PART NO. CI15**M1H*O-NH	
①	Sun	9/22-11'	ECR11039-2/ECN11060	CHECKED BY: Eisley	12/12-19'	.XX ± 0.20/.008 .X' ±	SCALE 5 / 1	SHEET 1 OF 2	
SYM	NAME	DATE	REVISIONS	APPROVED BY: Eisley	12/12-19'	.XXX ± 0.10/.004 .XX' ±			

CVILUX
 2019.12.19
 ISSUED

