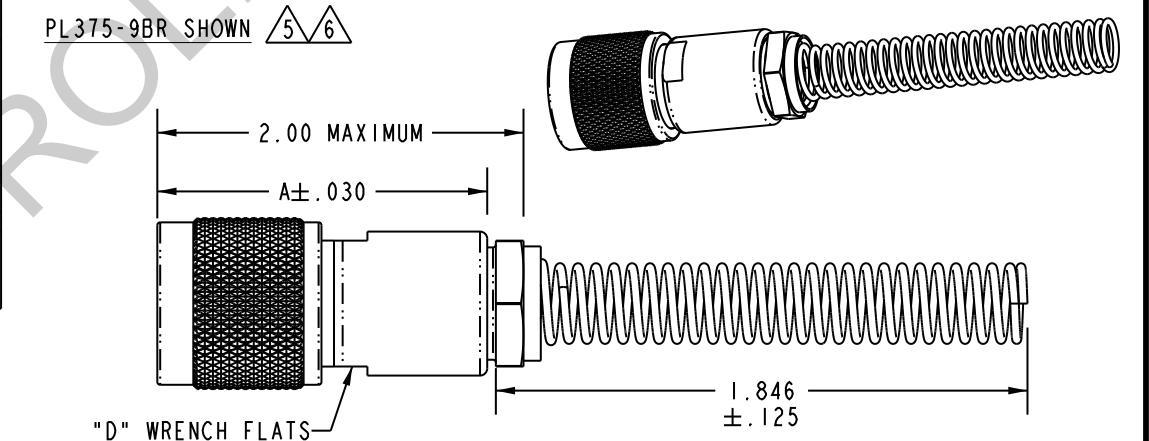
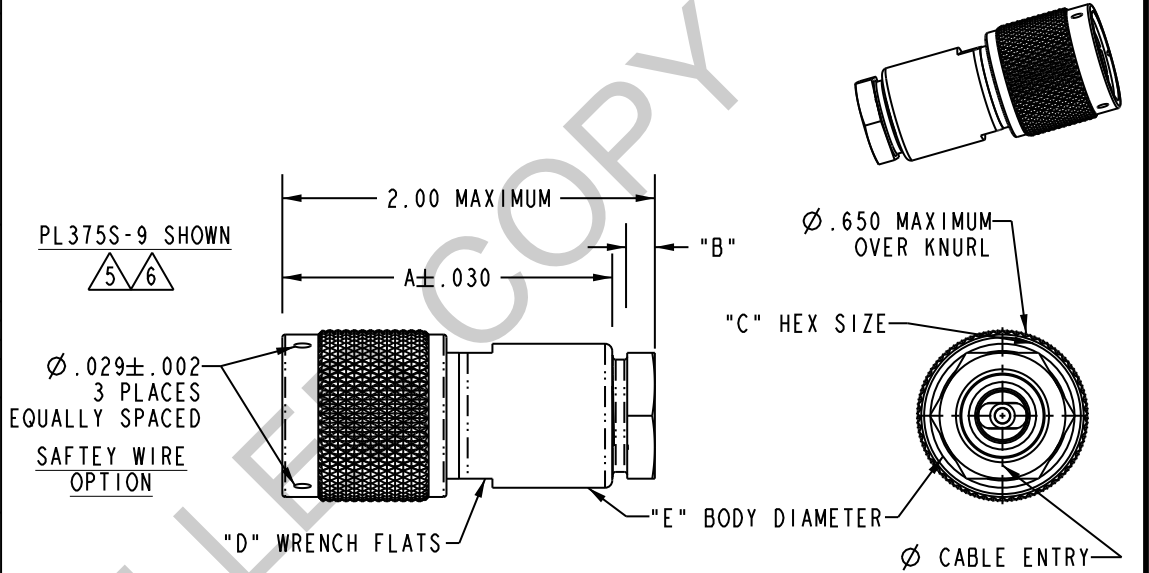


DASH NO	CABLES ACCOMMODATED	TABLE 1						CABLE ENTRY DIA	ASSEMBLE PER	CABLE TYPE
		A DIM	B DIM	C FLATS	D FLATS	E DIA				
-7	TRC-50-2 TRC-75-2	1.165	.096	.438	.438	.500	.274	TAI-189	TRIAx	
-8	8227, BELDEN	1.740	.130	.625	.688	.750	.345	TAI-103	TWINAX	
-9	TWC-78-2 TWC-124-2	1.165	.096	.438	.438	.500	.285	TAI-102		
-A9 3	BL782, TIMES BL982, TIMES BL1242, TIMES		3	3						
-10	RG-22 754E, AT&T		1.740	.130						.625
-11	760A, AT&T									
-12	16PEVL, AT&T VI-AL, GENERAL	1.740	.130	.625	.688	.750	.485	TAI-128		
-13	TRF-59, TIMES									
-13A	8232, BELDEN									
-14	8233, BELDEN									
-23	250-3884, MICRODOT	1.165	.096	.438	.438	.500	.183	TAI-189		TWINAX
-24	202-3934, MICRODOT									
-24A	9530A5117, RAYCHEM									
-25	T-43M, GENERAL									
-25A	5021H5331, RAYCHEM									
-26	7028A5518, RAYCHEM									
-27	1191PSJ2619EN, WOVEN 202-3927, MICRODOT 202-3942, MICRODOT									
-29	TWC-78-1/TWC-124-1A									
-30	761A, AT&T 8441, BELDEN									
-32	TRC-50-1									
-33	TRC-75-1									
-42	21-204, ESSEX 4463, CONSOLIDATED	1.740	.130	.625	.688	.750	.300	TAI-189	TRIAx	
-43	250-4044/250-4045 293-3930, MICRODOT									
-45	M27500-22TE2114 1100-66F, STANDARD									
-46	9860, BELDEN									
-47	M177176-00002	1.165	.096	.438	.438	.500	.184	TAI-102	TWINAX	
-49	TWAC-78-1F2									
-54	89207, BELDEN	1.740	.130	.625	.688	.750	.323	TAI-103	TWINAX	
-55	89272, BELDEN									
-56	GC875GCI, GRUMMAN	1.165	.096	.438	.438	.500	.191	TAI-189	TRIAx	
-57	GC875GB1, GRUMMAN									
-58	GC875TM24H, GRUMMAN									
-59	GC875LNI, GRUMMAN									
-60	M177177, THERMATICS	1.740	.130	.625	.688	.750	.250	TAI-102	TWINAX	
-64	380-10045, BOEING 7528A5314, RAYCHEM									

REV		DESCRIPTIONS	DATE	APPROVED
AD	ECO 52460		6/18/10	CSM



6 IF SAFETY WIRE TYPE & BEND RELIEF SPRING RECD ADD SUFFIX "SBR" TO MODEL NO (NOT AVAILABLE WITH CABLE GROUPS -8, -10, -11, -12, -13, -13A, -14, -46, & -54)

5 IF BEND RELIEF SPRING RECD (SEE FIG 2) ADD SUFFIX "BR" TO MODEL NO (NOT AVAILABLE WITH CABLE GROUPS -8, -10, -11, -12, -13, -13A, -14, -46, & -54)

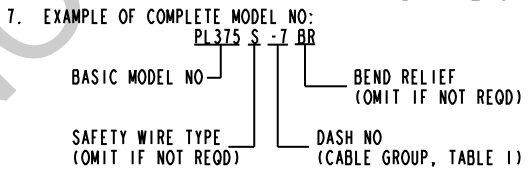
4 IF SAFETY WIRE TYPE RECD ADD SUFFIX "S" TO MODEL NO (PL375S)

3 CLAMP NUT OMITTED

2 CONCENTRIC TWINAX/TRIAx TRT CABLE PLUG

1 FINISH: TFS-1A (NICKEL)

NOTES: UNLESS OTHERWISE SPECIFIED.



INTERPRET DRAWING PER MIL-STD-100. DIMENSIONS ARE IN INCHES AND INCLUDE FINISH THICKNESS UNLESS OTHERWISE SPECIFIED.		TOL: UNLESS SPECIFIED. .XX ± .02 .XXX ± .010 .XXXX ± .0010 ANGLE ± 1° 00' CRITICAL		 Cinch Connectivity Solutions 299 Johnson Ave. Ste. 100 Waseca, MN 56093 1-800-247-8256	
DRW	BPK	7/29/11		MATERIAL:	
CHK	CSM	8/1/11		FINISH:	
QUALITY					TITLE: PL375 / PL375S PL375BR / PL375SBR
MANUF			APPROVED		SIZE: A
SURFACE AREA		PROF TITLE NO	315-0011	DO NOT SCALE DWG	SCALE: 1/1
		DRAWING NO.	315-0011	DATE	5/23/73
		REV.	AD	SHEET 1 OF 2	