



## AB-FA01208-19700-8A1

### Features:

- UL listed (#E353753)
- IP20 waterproof rating
- Top emitting, wide viewing angle 120°
- Storage temperature -20°C~+80°C
- Operating temperature -20°C~+45°C
- Environment humidity 40-70%RH

### Application:

- Conference/Meeting rooms
- Factories and Offices
- Commercial Purposes
- Residential/Institution Buildings
- Schools
- Hospitals
- Hotels

### Product performance parameter:

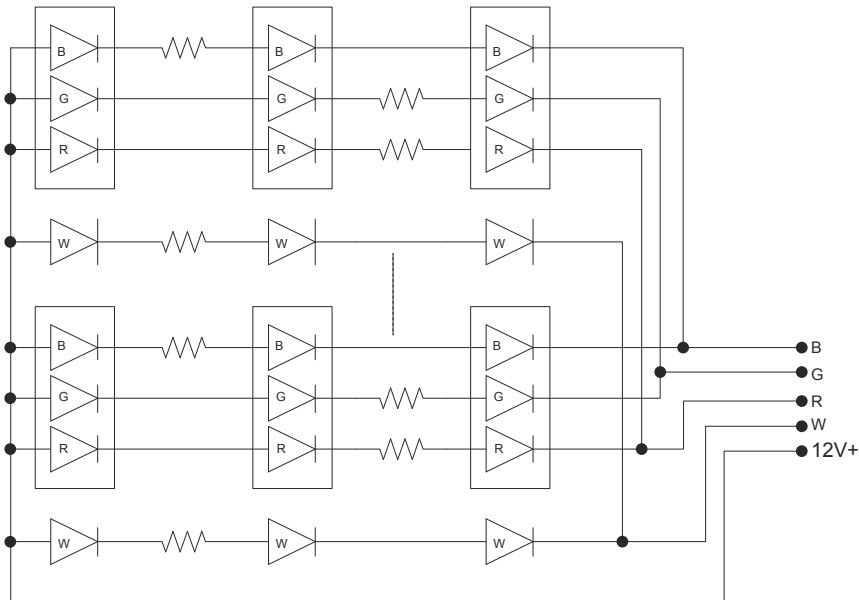
Serial number	Part Number	CCT/nm	CRI	QTY/M (39.3in)	Luminous per meter	lm/W	working voltage (12V)/IF(A)	Rated power (W/M)
1	AB-FA01208-19700-8A1	3000±150K	>80	60LED	361lm	95/W	12V/0.31A	3.8
		Red	620-630nm	60LED	72lm	20/W	12V/0.30A	3.6
		Green	520-535nm		233lm	73/W	12V/0.26A	3.2
		Blue	460-470nm		55lm	18/W	12V/0.25A	3.1

### Notes:

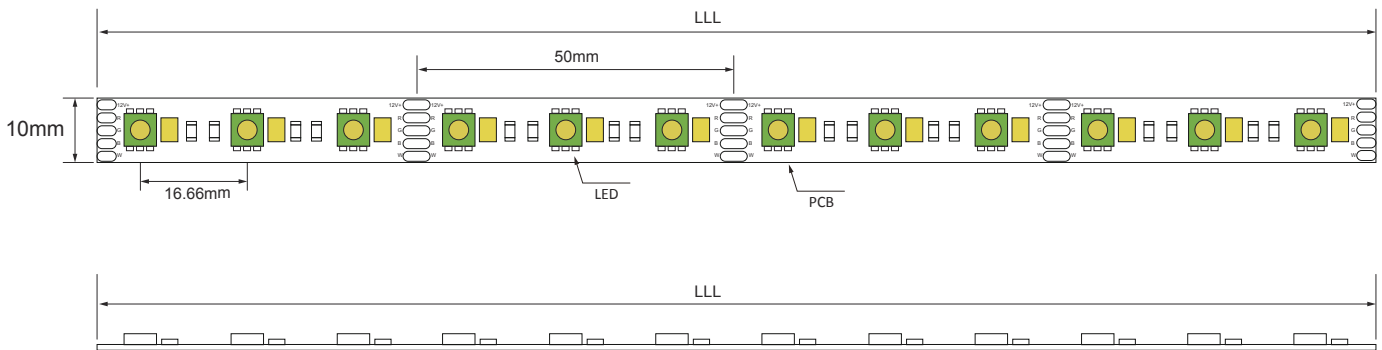
1. Luminous flux plus or minus 10% is allowed in the floating.
2. Maximum length current attenuation 15%.
3. Photometric standards are based on CIE eye sensitivity curve diagram test.

**Schematic diagram:**

**Schematic:  
(DC12V)**



**Product size chart:**

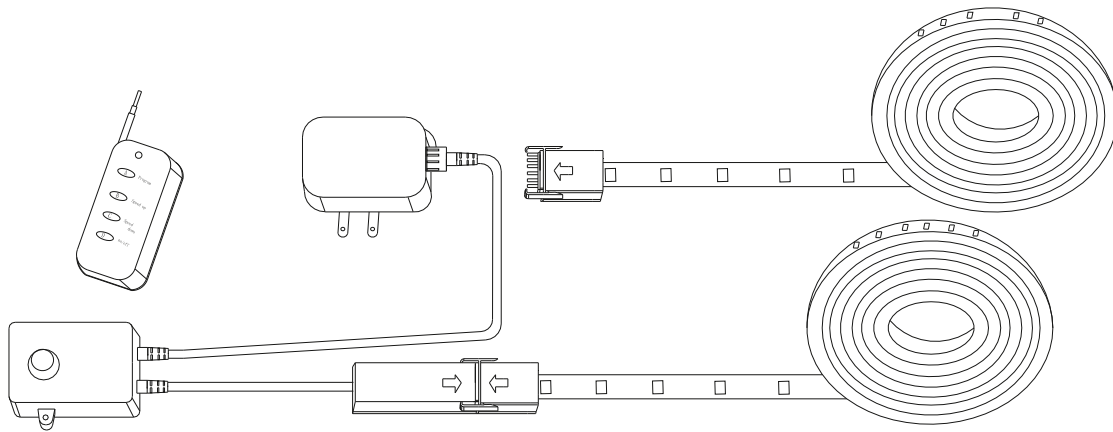


**NOTE:**

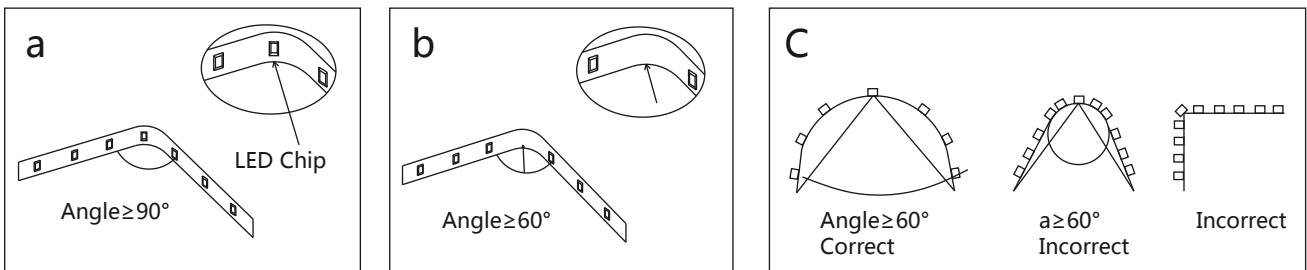
1. UNIT:MM(IN)
2. COLOR:WHITE
3. 3M 9495 double-sided tape on the back



**Installation method:**



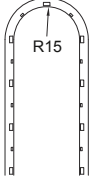
**LED Strip Installation**



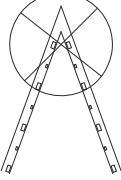
- a: use an angle greater or equal to 90 degrees when there is an LED chip on the corner while placing the strip in a concave position (Angle $\geq$ 90degree)
- b: use an angle greater or equal to 60 degrees when there is an LED chip on the corner while placing the strip in a concave position (Angle $\geq$ 60degree)
- c: use an angle greater or equal to 60 degrees when there is an LED chip on the corner while placing the strip in a concave position (Angle $\geq$ 60degree) In the convex position the angle should not reach 90 degrees .See above diagram.



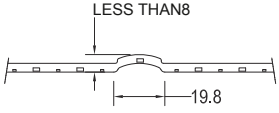
### Maximum Flexibility Precaution



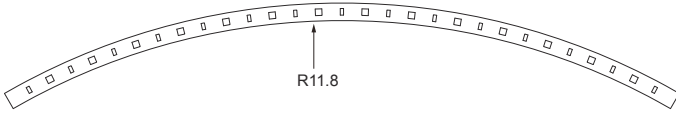
**NOTE:** DO NOT BEND TO A RADIUS OF LESS THAN 0.59 INCH



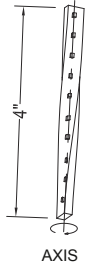
**NOTE:** SHARP BENDING ISN'T ALLOWABLE



**NOTE:** DO NOT AXIAL BEND TO THE HEIGHT OF MORE THAN 19.8mm WITHIN 0.78 INCH SEGMENT

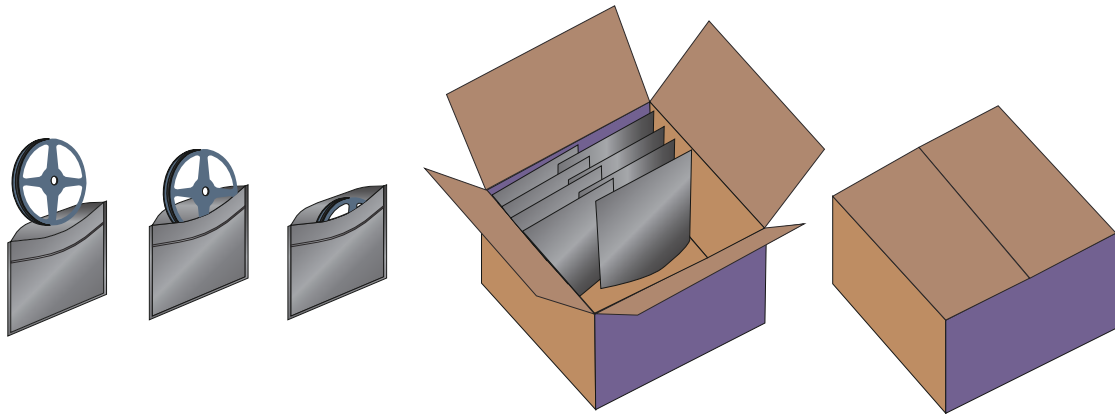


**NOTE:** DO NOT HORIZONTAL BEND TO A RADIUS OF LESS THAN 18 INCH



**NOTE:** DO NOT TWIST MORE THAN 90° OVER THE LENGTH OF ONE 24v SEGMENT/ TWO 12V SEGMENTS (4" TOTAL LENGTH)

### Product packaging



Model	Part number	box(pcs)	Net Weight/box	Gross Weight/box
1	AB-FA01208-19700-8A1			