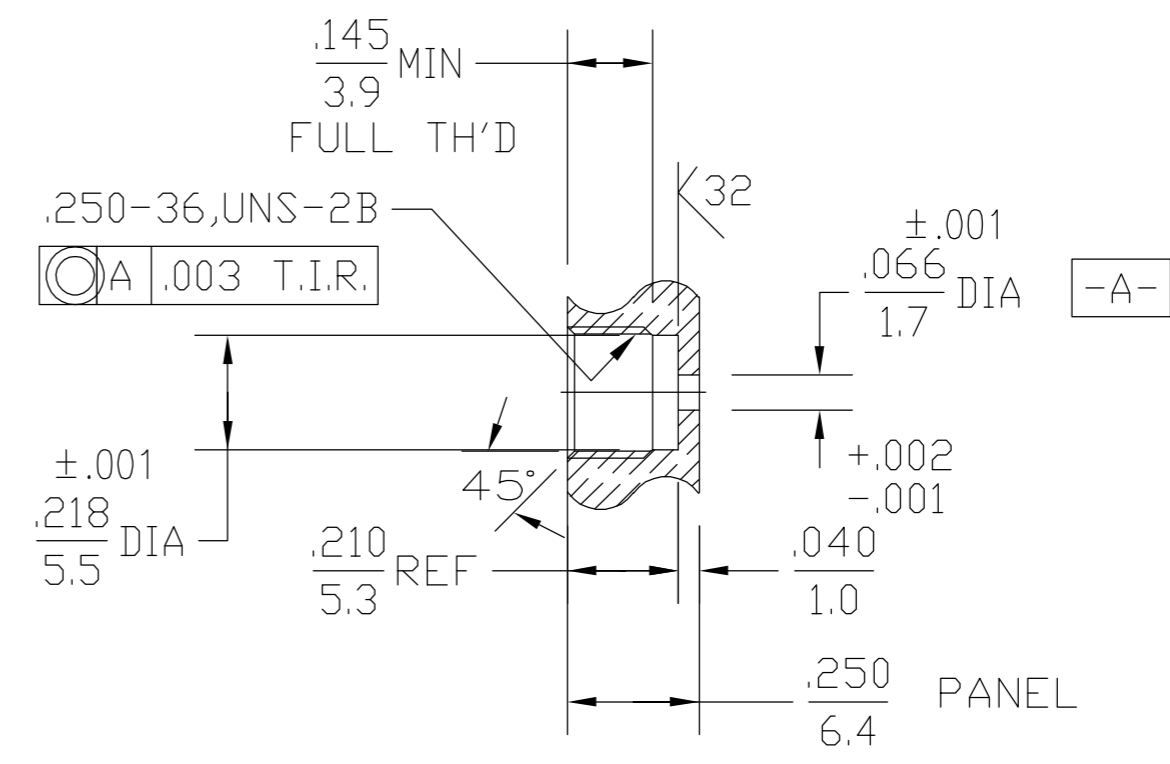
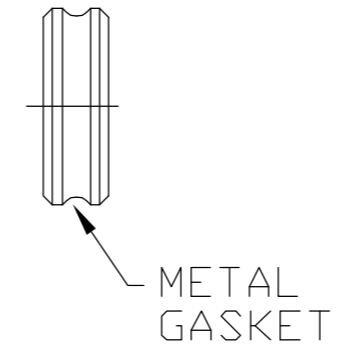
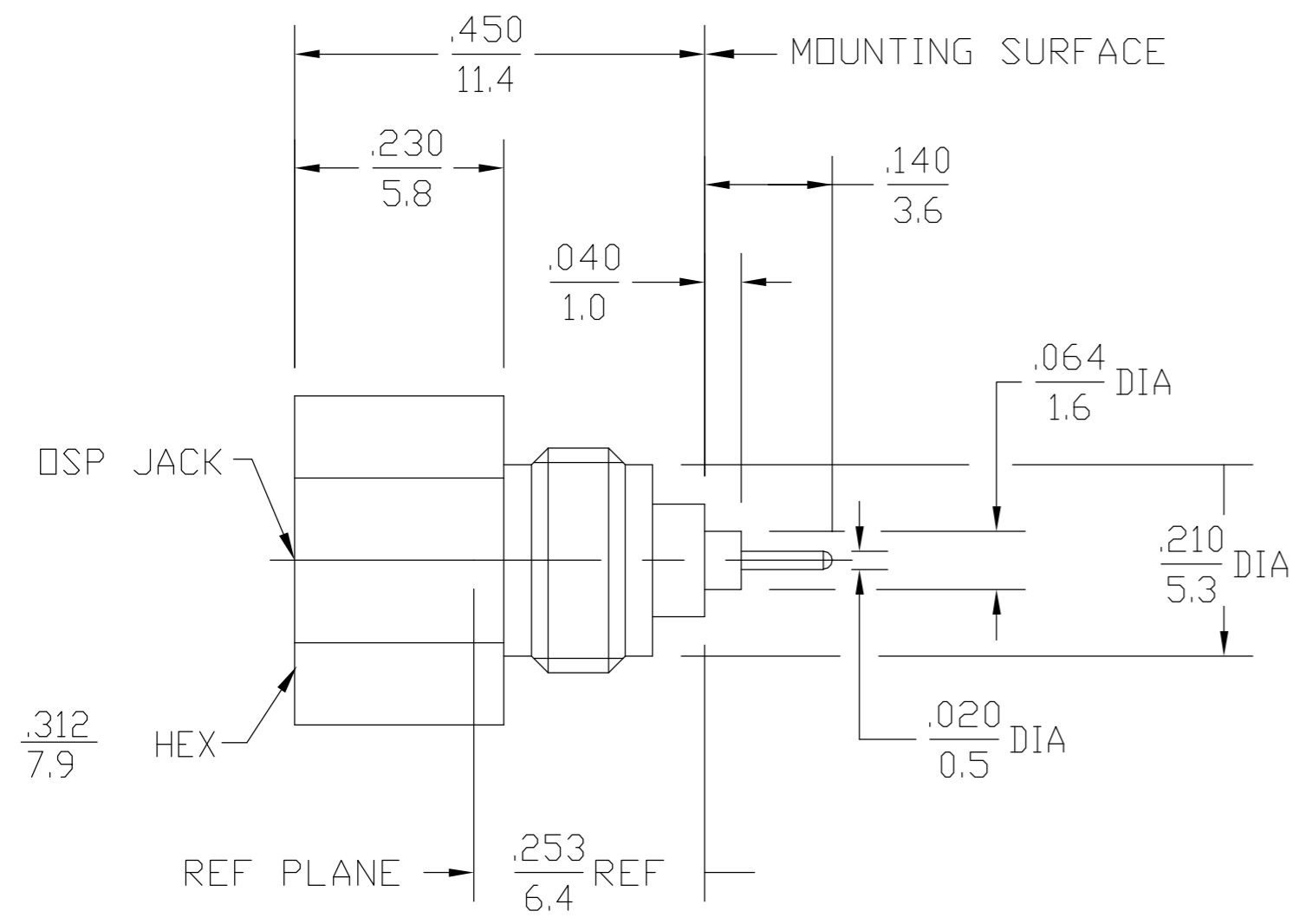


THIS DRAWING IS UNPUBLISHED. RELEASED FOR PUBLICATION
 © COPYRIGHT BY TYCO ELECTRONICS CORPORATION. ALL RIGHTS RESERVED.

LOC		DIST		REVISIONS			
P	LTR	DESCRIPTION	DATE	DWN	APVD		
		RELEASED	13JAN2006	KS	JGH		

1. SEE INSTRUCTION SHEET 408-8288



RECOMMENDED MOUNTING HOLE

ELECTRICAL	MECHANICAL	ENVIRONMENTAL	HOUSING BUSHING	MATERIAL	FINISH
Nominal Impedance (Ohms) 50	Interface Dimensions per MIL-STD-348A Fig 321.2	TEMPERATURE RATING -65° TO +125°C	STAINLESS STEEL PER ASTM-A484 AND ASTM-A582, TYPE 303	PASSIVATE PER ASTM A 380	
Frequency Range (GHz) DC to 18	Mating Characteristics:	Vibration MIL-STD-202, Method 204, Condition D, 20G's	DIELECTRIC TFE FLUOROCARBON PER ASTM-D-1710	N/A	
Volt Rating (VRMS MAX) @ Sea Level 335	Insertion (MAX Lbs) 3	Shock MIL-STD-202, Method 213, Condition I, 100G's	CENTER CONTACT BERYLLIUM COPPER PER ASTM B 196	GOLD PLATE PER ASTM B 488	
VSWR 1.04+.009f(GHz)	Withdrawal (MIN Oz) 1	Thermal Shock MIL-STD-202, Method 102, Condition C	CONTACT RING SHIM BERYLLIUM COPPER PER ASTM B 194	GOLD PLATE PER ASTM B 488	
Insertion Loss (dB MAX) .05x√f(GHz)	Force to Engage (Lbs MAX) 3.0 & Disengage (Lbs MAX) 1.5	Moisture Resistance MIL-STD-202, Method 106	CONTACT SLEEVE BERYLLIUM COPPER PER ASTM B 194	GOLD PLATE PER ASTM B 488	
RF Leakage (dB MIN) (Interface Only, Fully Mated) -(90-f(GHz))	Center Contact Captivation Axial (Lbs MIN) 6.0	Corrosion - MIL-STD-202, Method 101, Condition B	BUSHING CONTACT EXT IRON-NICKEL-COBALT ALLOY PER MIL-I-23011, CLASS 1 (KOVAR)D	GOLD PLATE PER ASTM B 488	
Corona, 70,000 Ft (VRMS MIN) 335	Weight (Grams) TBD	Hermetic Seal Leak Rate (@ 1 Atm) 1 x 10 ⁻⁸ cc/sec	METAL GASKET KOVAR	SILVER PLATE PER ASTM B 700	
Dielectric Withstanding Voltage (VRMS MIN) @ Sea Level 1,000			GLASS SEAL GLASS BEAD	N/A	
Contact Resistance (Milliohms MAX) Center Contact 10.0 Outer Contact 2.0			COMPONENT		
RF High Potential @ Sea Level (VRMS MIN @ 5 MHz) 1,000					
I.R.(Megohms MIN) 5,000					

.XXX = in
 XX.X = mm (REF)

6059674-1
 PART NUMBER

THIS DRAWING IS A CONTROLLED DOCUMENT.		DWN DK SCHRUM 13JAN2006	Tyco Electronics Corporation Harrisburg, PA 17105-3608	
DIMENSIONS: INCHES[mm]		CHK JG HAVENER 13JAN2006		
TOLERANCES UNLESS OTHERWISE SPECIFIED:		APVD JG HAVENER 13JAN2006	NAME OSP PANEL FEEDTHRU, JACK RECEPTACLE, HERMETICALLY SEALED (4558-5335-02)	
0 PLC ± -		PRODUCT SPEC	SIZE A2 CAGE CODE 00779 DRAWING NO C=6059674	
1 PLC ± -		APPLICATION SPEC	RESTRICTED TO	
2 PLC ± .005[0.13]			SCALE NTS SHEET 1 of 1 REV 0	
3 PLC ± -				
4 PLC ± -				
ANGLES ± 1°				
FINISH SEE TABLE		WEIGHT -		
MATERIAL SEE TABLE		CUSTOMER DRAWING		