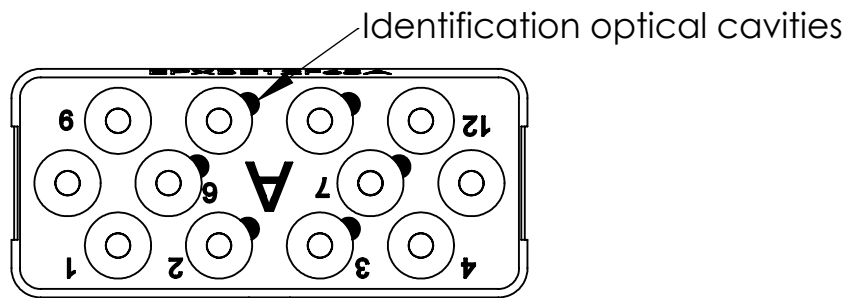
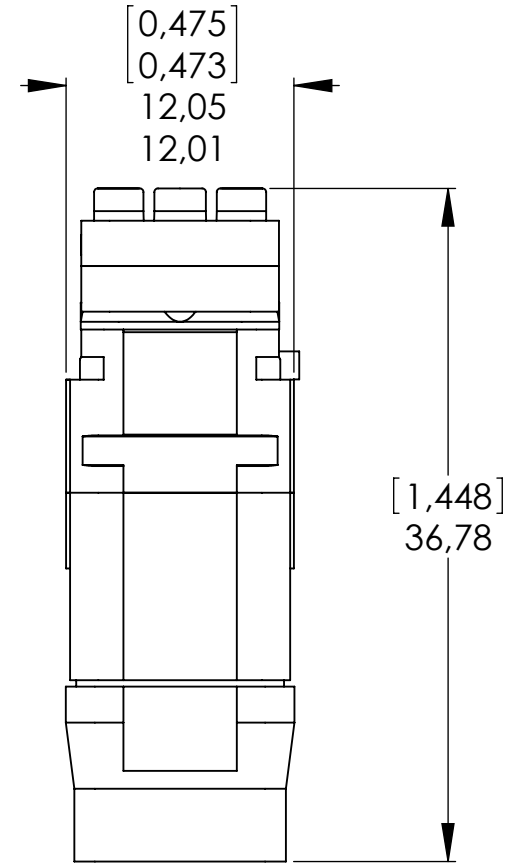
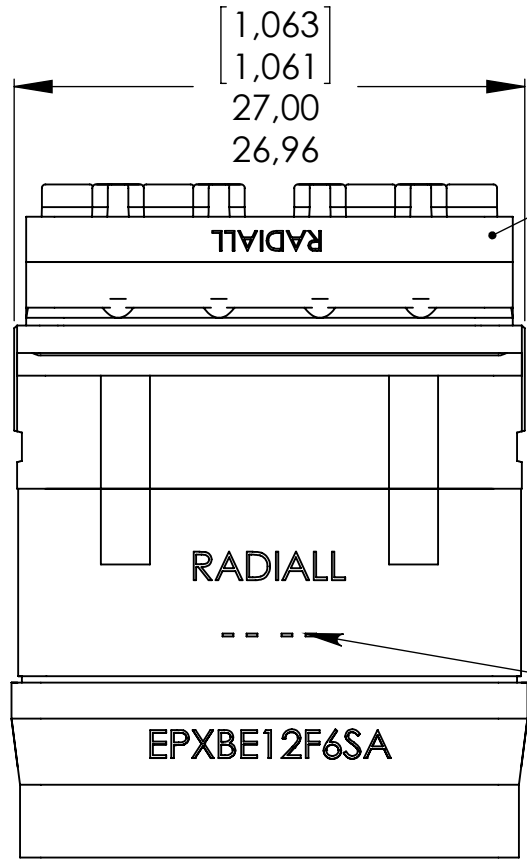


Series
EPXB

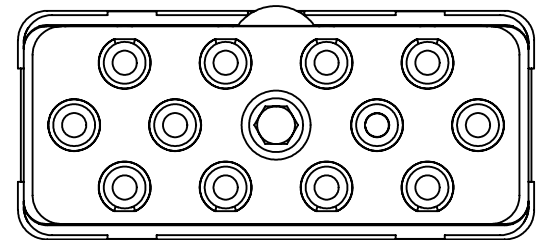
ENVIRONMENTAL "SOCKET" INSERT - 'A' KEYING
6 CAVITIES FOR MT or ML LuxCis® OPTICAL CONTACT and 6 CAVITIES FOR ELECTRICAL CONTACT

Issue:
Apr 28, 09

Page
1/1



**Rear view
Cavities identification**



**Front view
Mating face**

MATERIALS:

- Insert: Molded Fiberglass filled thermosetting
- Retention clips: Beryllium copper
- Sleeve-holder:
 - Body: High grade thermoplastic
 - Central screw: Stainless steel
 - Alignment sleeve for optical contacts : Zirconia
 - Alignment sleeve for electrical contacts : Beryllium copper, Gold plated
- Rear grommet & interfacial seal: Fluorosilicone elastomer

NOTES:

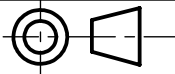
- Sleeve-holder: can be ordered separatly: P/N 617 802 263
Tool : 5/64 inches allen key
Coupling torque : 0.20N.m [1.77 Lbf.in] to 0.25N.m [2.21 Lbf.in]
- Environmental insert for:
 - . ML or MT (mono-key) LuxCis optical contact (cavities: 2,3,6,7,10 and 11)
 - . Size 16 crimp pin contact (cavities: 1,4,5,8,9 and 12) P/N: 617 235 003 for AWG 16-18-20
 - . Size 16 crimp pin contact (cavities: 1,4,5,8,9 and 12) P/N: 617 235 002 for AWG 20-22-24

Electrical characteristics:

Max current Amps : 10A for AWG16 wire
Dielectric withstanding voltage :
Sea level : 1500Vrms; 50 000 feet: 600Vrms and 70 000 feet: 500Vrms

Refer to Luxcis maintenance document 503 085 90 before starting to use this product.

DIMENSIONS : mm (inch are given for information only)



CREATION PEN: M050400054A NOM: BALDYROU DATE: 14 Apr. 2005 APPR.: PERRIN H.	Apr 28, 09	'High grade thermoplastic' became 'Molded Fiberglass filled thermosetting'-Add "Refer to Luxcis maintenance doc.	Coutellier	PESSARD M.
	July25, 08	Add Electrical characteristics & cts 617 235 002	SURAUULT	PESSARD M.
	Dec 11, 07	Add sleeve holder P/N 617 802 263	SURAUULT	PESSARD M.
	Nov 06 07	P/N 617 235 003 was 670 235 001	SURAUULT	PESSARD M.
	Issue	Revisions	Name	Approved

Confidential information not to be disclosed to third parties without Radiall approval. This information is given as an indication. In the continual goal to improve our products, we reserve the right to make any modifications judged necessary.

4112_9311