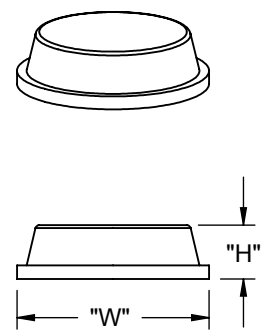
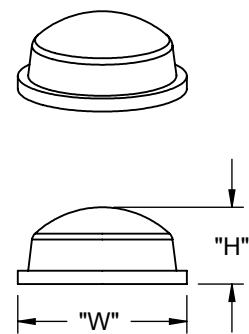


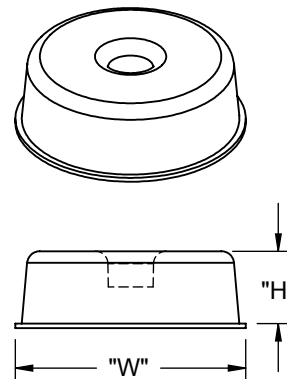
TYPE 1.



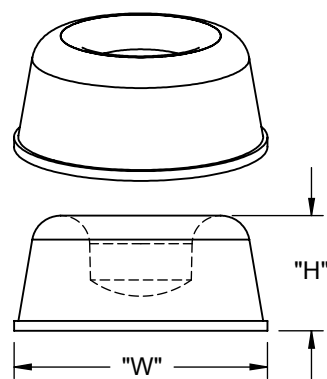
TYPE 2.



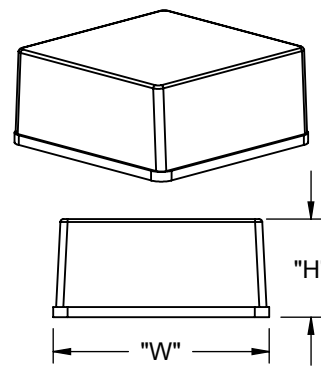
TYPE 3.



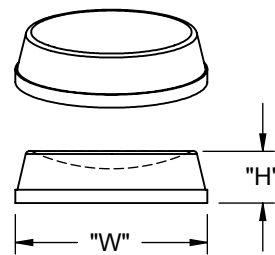
TYPE 4.



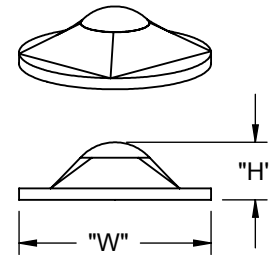
TYPE 5.



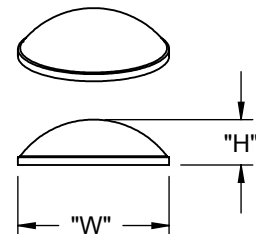
TYPE 6.



TYPE 7.



TYPE 8.



TYPE 9.

PART NO.	DIA. (OR "W") ±.020 [±0.5]	HEIGHT "H" ±.020 [±0.5]	6 X 12 MATRIX KISS CUT PAD PCS/PAD	TYPE	QTY. CTN	
RBS-3R	.50 [12.7]	.23 [5.8]	200	1 (PYRAMID)	5000	
RBS-19	.81 [20.5]	.30 [7.6]	98		2646	
RBS-20	.40 [10.2]	.10 [2.5]	242		5082	
RBS-29	.78 [19.8]	.25 [6.4]	98		2940	
RBS-32R		.12 [3.1]			5000	
RBS-1	.50 [12.7]	.14 [3.5]	200	2 (CYLINDRICAL)	5000	
RBS-5		.06 [1.6]			5000	
RBS-6		.25 [6.3]			5000	
RBS-11	.65 [16.5]	.40 [10.2]	128		2560	
RBS-24	.81 [20.5]	.12 [3.1]	72		2520	
RBS-34	.37 [9.5]		300		6000	
RBS-35		.19 [4.8]	200		5000	
RBS-41	.78 [20.0]	.20 [5.1]	84		3360	
RBS-44	.75 [19.1]	.16 [4.1]	98		2450	
RBS-72	1.24 [31.5]	.10 [2.5]	32	2400		
RBS-2	.44 [11.1]	.20 [5.1]	242	3 (DOMES)	5082	
RBS-8	.70 [17.6]	.38 [9.6]	98		2254	
RBS-15	.62 [16.0]	.31 [7.9]	128		3200	
RBS-22	.38 [9.6]	.21 [5.4]	300		6000	
RBS-27	.31 [7.9]	.08 [2.2]	450		5400	
RBS-37	.72 [18.3]	.56 [14.2]	100 SEPARATE PARTS		1500	
RBS-39	.75 [19.1]	.07 [1.9]	84		5040	
RBS-40	.25 [6.4]	.06 [1.6]	578		15028	
RBS-30	1.8 [45.7]	.60 [15.8]	100 SEPARATE PARTS		4 (ROUND)	500
RBS-17	.88 [22.3]	.40 [10.1]	72		5 (ROUND)	1440
RBS-4	.78 [19.8]	.38 [9.7]	100 SEPARATE PARTS	6 (SQUARE)	5600	
RBS-36	1.00 [25.4]	.18 [4.7]	55		2310	
RBS-18	.50 [12.7]	.14 [3.5]	200	7 (ROUND)	5000	
RBS-33-SD		.15 [3.8]		8 (ROUND-PYRAMID)	5000	
RBS-7	.335 [8.6]	.085 [2.2]	450	9 (HEMISPHERE)	5400	
RBS-10	.39 [10]	.12 [3]	288		7200	
RBS-12	.38 [9.6]	.15 [3.8]	72			

NOTES:
 1. MATERIAL: POLYURETHANE (RMS-64), 60-70 DUROMETER, SHORE A.
 2. STANDARD COLOR: CLEAR AND BLACK: TO ORDER BLACK ADD "-BK" TO PART NO. BROWN "-BN", WHITE "-WH", OR GRAY "-GY" AVAILABLE BY SPECIAL ORDER ONLY. PART NO. RBS-33-SD AND RBS-10 AVAILABLE IN CLEAR ONLY.
 3. ADHESIVE: RUBBER (RMS-68).
 4. LIGHTER BUMPER COLORS MAY SHOW SOME DARKENING OR YELLOWING WHEN NOT STORED IN ORIGINAL UNOPENED CARTON.
 *NON STAINING, NON MARRING.
 *CRACK RESISTANT.

Z			Y			X			W			-			REV.														
-11 TO .65" & RE-ADDED CHART HEADINGS, ECN #1428			CHANGED RBS-12 TYPE TO 9, ECN # 1420			SEE CO 200507 FOR CHANGES			SEE CO 200500 FOR CHANGES			SEE ENGINEERING FOR REV. A-V			DESCRIPTION														
DZ 01/27/2017			DZ 03/23/2016			SK 03/08/2010			SK 02/22/2010			----			ENGR. DATE														
TITLE: RICHCO BUMPERS						FILE #: RBS						DWN: SM						APP: DJZ											
CREATED USING SOLIDWORKS						SHEET: 1 OF 1						SHEET SIZE: B						DT: 08/12/04						CHKD: RG					
TOLERANCES UNLESS NOTED						RE: RICHCO, INC.						ESSENTRA COMPONENTS						PART # SEE TABLE						PRINT TYPE CA					
.XX=±.010																													
.XXX=±.005																													
FRAC.=±1/64																													
ANG.=±1°																													