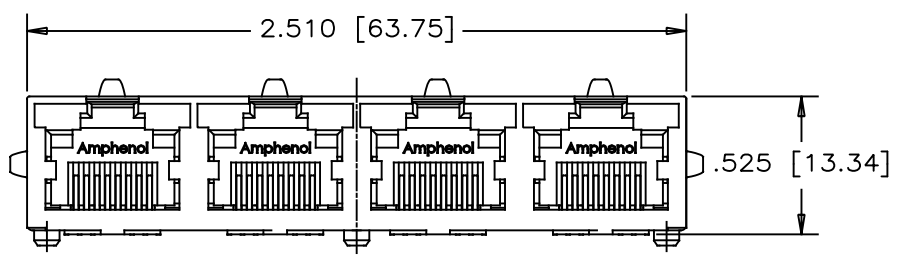
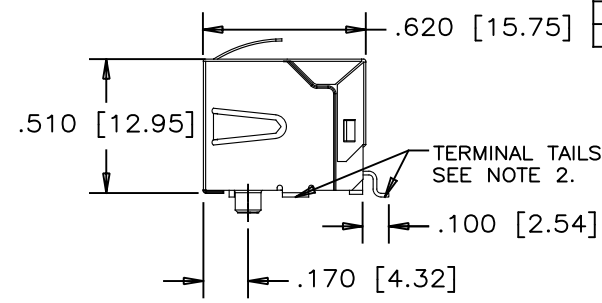


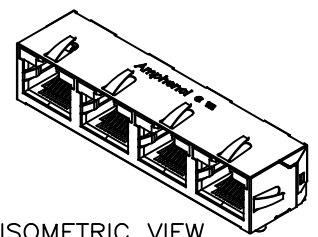
REVISIONS			
REV	DESCRIPTION, ECN, EAR NO.	DATE	APP'D
A	PROPOSAL	AUG14/12	L.CHAN
B	ADD PACKAGING SPEC	SEP28/12	L.CHAN
C	REVISE PACKAGING ERROR	FEB06/20	L.CHAN
D	MODIFY THE PACKAGE SPEC	APR15/20	L.CHAN
E	CORRECT THE SIDE VIEW AND PACKAGING VIEW	DEC07/20	L.CHAN



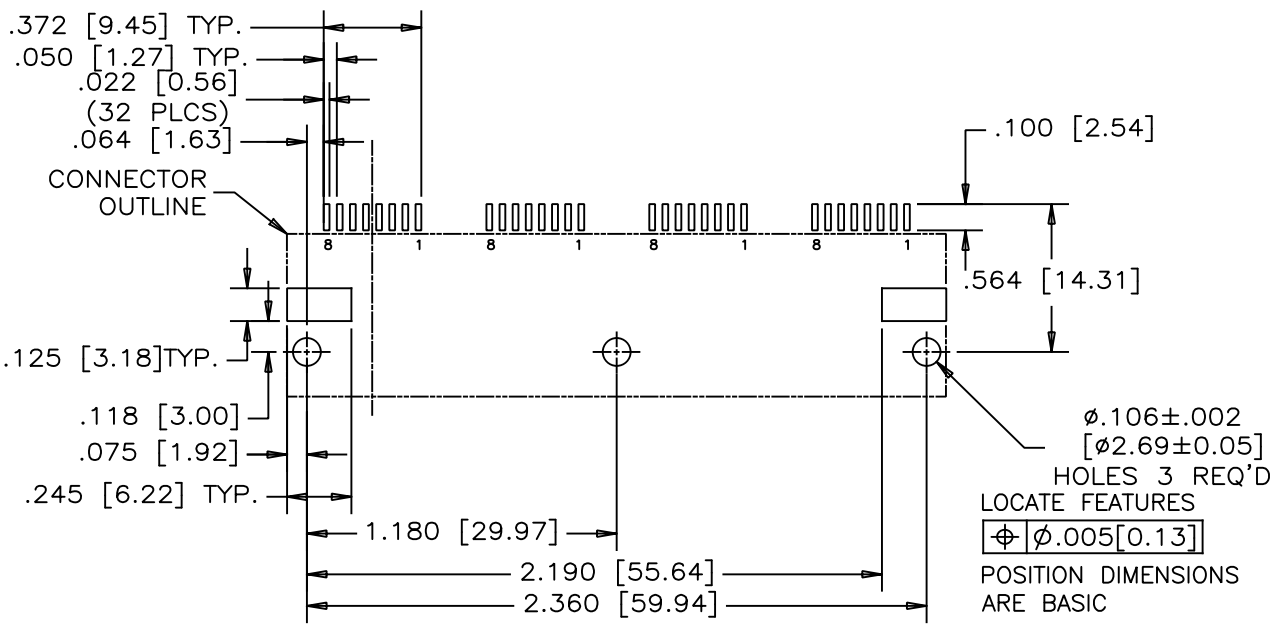
FRONT VIEW



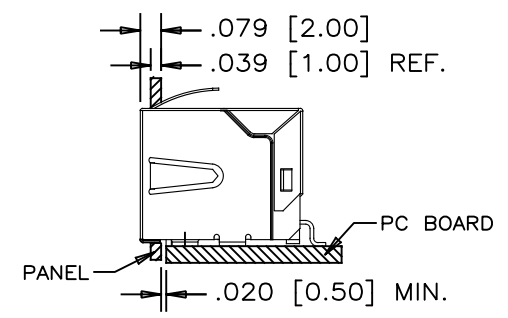
SIDE VIEW



ISOMETRIC VIEW  
(SCALE 1:2)



RECOMMENDED P.C.B. LAYOUT  
(COMPONENT SIDE OF BOARD)

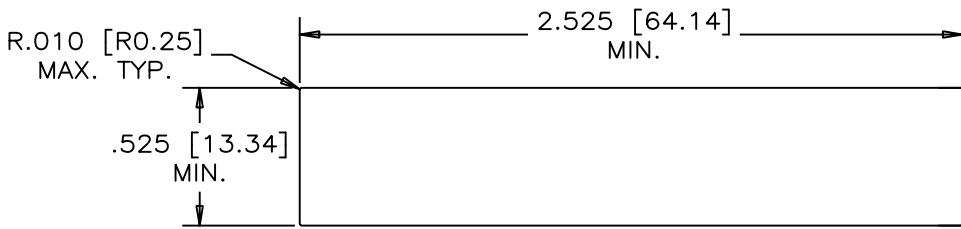


RECOMMENDED PANEL CUTOUT

- 1. MATERIALS:**  
 PLASTIC HOUSING: HIGH TEMPERATURE THERMOPLASTIC  
 FLAMMABILITY RATING UL 94V-0  
 COLOR: BLACK
- CONTACTS:**  
 PHOSPHOR BRONZE  
 PLATING: 20  $\mu$ " [0.51 MICRONS]  
 MIN. GOLD ON MATING SURFACES.  
 50  $\mu$ " [1.27 MICRONS]  
 MIN. NICKEL UNDERPLATE  
 100  $\mu$ " [2.54 MICRONS]  
 MIN. MATTE TIN ON CONTACT TAILS.
- SHIELD:** COPPER ALLOY WITH PLATED NICKEL

- 2. COPLANARITY SPECIFICATION:**  
 WITH THE MODULAR JACK SITTING ON A LEVEL SURFACE,  
 THE MAXIMUM GAP BETWEEN THE LEVEL SURFACE OF  
 SHIELD TAB AND ALL TERMINAL TAILS IS .004 [0.10].

AMPHENOL PART NUMBER: RJSSE-5580-04

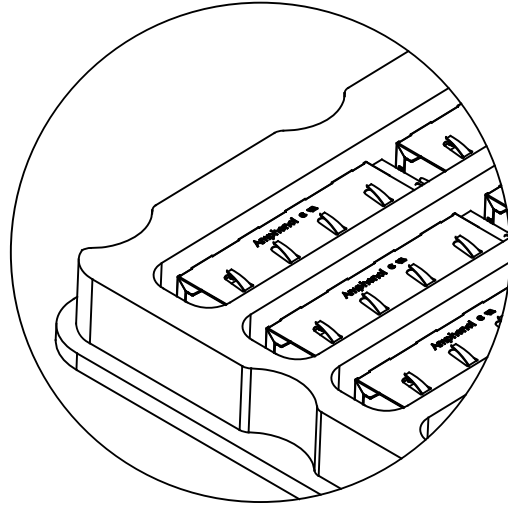


RECOMMENDED PANEL CUTOUT

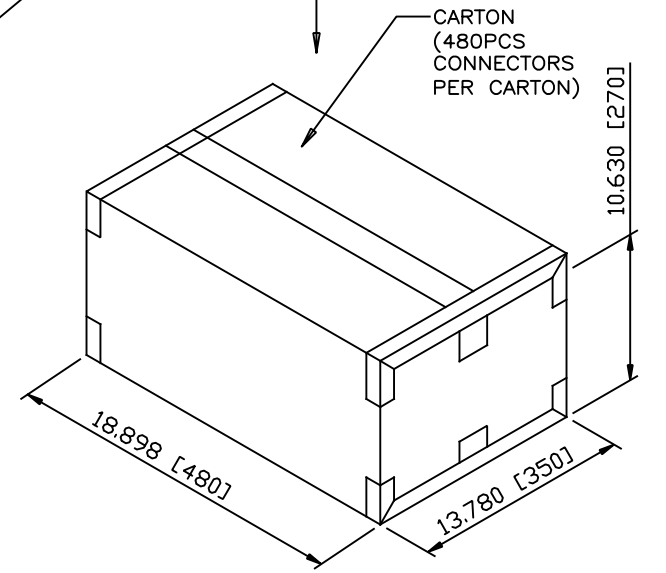
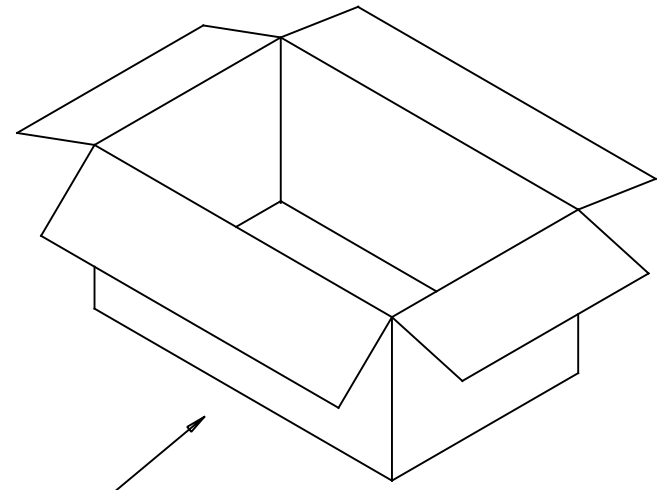
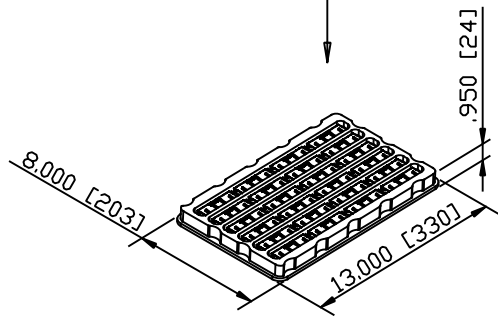
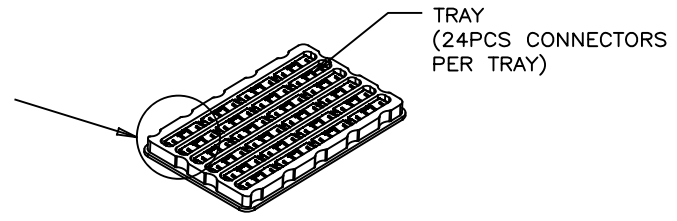
THIS DOCUMENT CONTAINS PROPRIETARY INFORMATION AND SUCH INFORMATION MAY NOT BE DISCLOSED TO OTHERS FOR ANY PURPOSE OR USED FOR MANUFACTURING PURPOSES WITHOUT WRITTEN PERMISSION FROM AMPHENOL CANADA CORP.

UNLESS SPECIFIED OTHERWISE	DRAWN AMY.Z	AUG14/12	Amphenol Canada Corp. Commercial Products
PRIMARY UNITS INCHES	CHECKED L.CHAN	AUG14/12	
SECONDARY MILLIMETERS	M.E. APP'D		SURFACE MOUNT, RJ45 MODULAR JACK, 8 POSITION, 8 CONTACTS, SHIELDED, WITH FLATTEN BOTTOM TAB, WITHOUT LEDs -ROHS COMPLIANT
REFERENCE IN PARENTHESES	Q.A. APP'D		
GENERAL TOLERANCES	DWG APP'D		DWG NO. P-RJSSE-5580-04
1 DECIMAL PLACE	ENG. REL. NO. EAR RJ12097		
2 DECIMAL PLACES	REF.		REV E
3 DECIMAL PLACES $\pm .015$	THIRD ANGLE PROJECTION	DO NOT SCALE DRAWING	
ANGULAR DEGREES $\pm 1.5^\circ$			CODE ID NO. 03554   DWG SIZE X   SCALE N/A   SHEET 1 OF 2

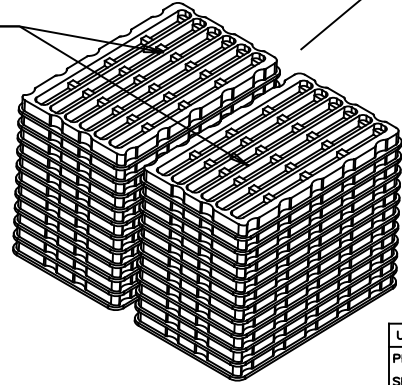
REVISIONS			
REV	DESCRIPTION, ECN, EAR NO.	DATE	APP'D
A	PROPOSAL	AUG14/12	L.CHAN
B	ADD PACKAGING SPEC	SEP28/12	L.CHAN
C	REVISE PACKAGING ERROR	FEB06/20	L.CHAN
D	MODIFY THE PACKAGE SPEC	APR15/20	L.CHAN
E	CORRECT THE SIDE VIEW AND PACKAGING VIEW	DECO7/20	L.CHAN



REFER VIEW



20 TRAYS CONNECTORS  
PER CARTON AND  
PLACE ONE EMPTY  
TRAY EACH ON TOP



**PACKAGING NOTES:**

1. 24 PCS CONNNECTORS PER TRAY
2. 20 TRAYS PER CARTON  
(480 PCS CONNECTORS PER CARTON)

THIS DOCUMENT CONTAINS PROPRIETARY INFORMATION AND SUCH INFORMATION MAY NOT BE DISCLOSED TO OTHERS FOR ANY PURPOSE OR USED FOR MANUFACTURING PURPOSES WITHOUT WRITTEN PERMISSION FROM AMPHENOL CANADA CORP.

UNLESS SPECIFIED OTHERWISE	DRAWN	AMY.Z	AUG14/12
PRIMARY UNITS	CHECKED	L.CHAN	AUG14/12
SECONDARY	M.E. APP'D		
REFERENCE IN PARENTHESES	Q.A. APP'D		
GENERAL TOLERANCES	DWG APP'D		
1 DECIMAL PLACE	ENG. REL. NO.	EAR RJ12097	
2 DECIMAL PLACES	REF.		
3 DECIMAL PLACES ±.015	THIRD ANGLE PROJECTION		
ANGULAR DEGREES ±1.5'	DO NOT SCALE DRAWING		

Amphenol Canada Corp.  
Commercial Products

SURFACE MOUNT,RJ45 MODULAR JACK,  
8 POSITION, 8 CONTACTS,SHIELDED,  
WITH FLATTEN BOTTOM TAB, WITHOUT LEDs  
-ROHS COMPLIANT

DWG NO. P-RJSSE-5580-04      REV E

CODE ID NO. 03554      DWG SIZE X      SCALE N/A      SHEET 2 OF 2