

4

3

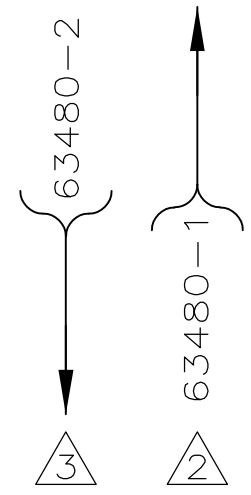
2

1

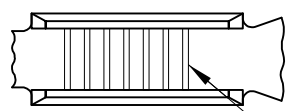
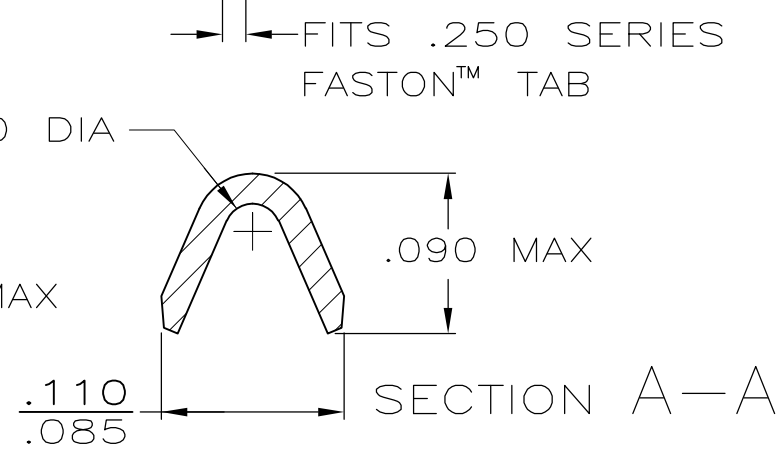
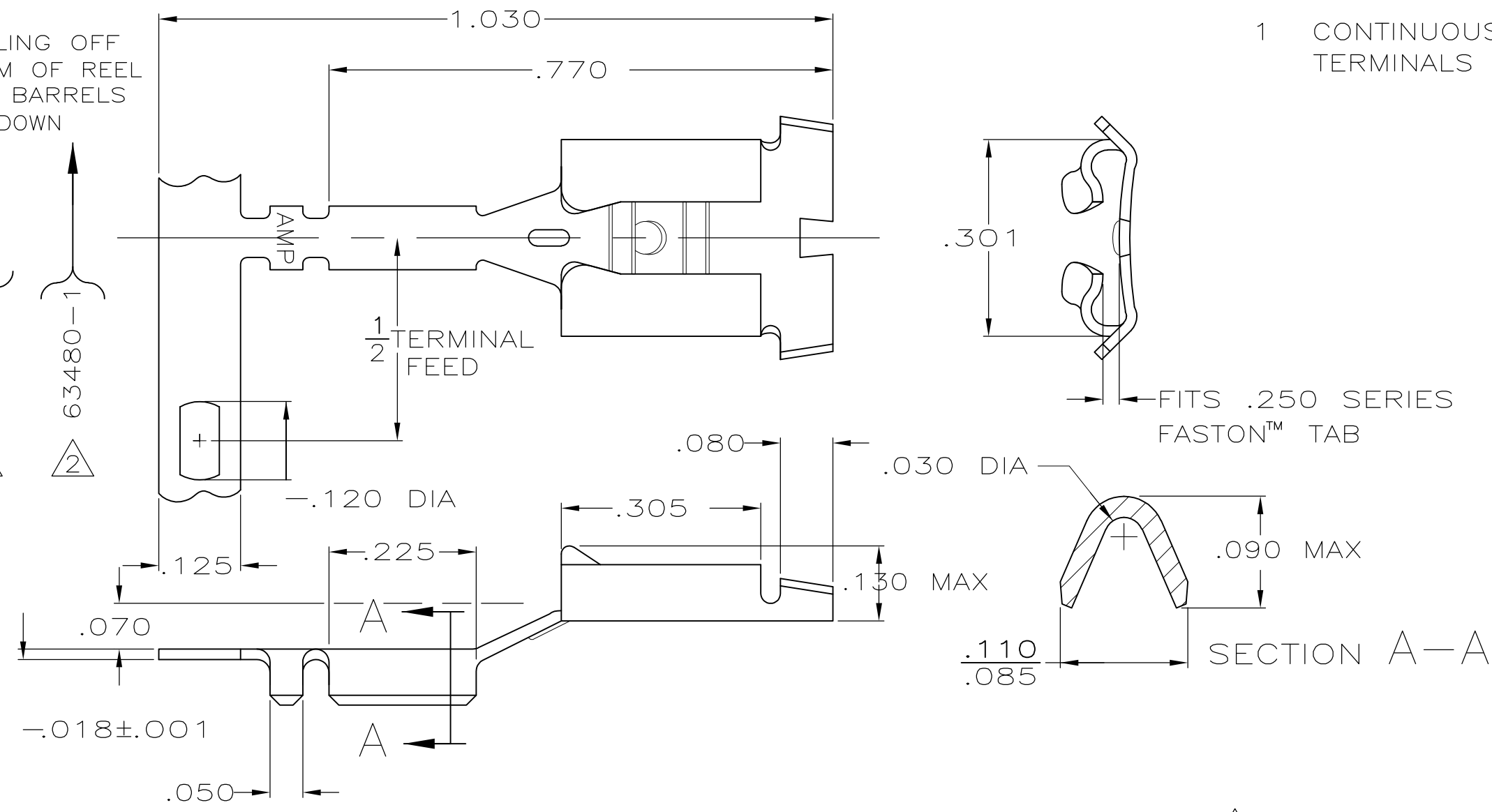
THIS DRAWING IS UNPUBLISHED. RELEASED FOR PUBLICATION
 © COPYRIGHT - By - ALL RIGHTS RESERVED.

| LOC | DIST | REVISIONS | | | | | |
|-----|------|-----------|-----|--------------------------|---------|-----|------|
| | | P | LTR | DESCRIPTION | DATE | DWN | APVD |
| AF | 50 | | E | REVISE PER ECR-13-013738 | 28AUG14 | GRZ | JL |

REELING OFF
 BOTTOM OF REEL
 WIRE BARRELS
 DOWN



1 CONTINUOUS STRIP ON REELS WITH
 TERMINALS LOCATED ON .620 CENTERS.



7 SERRATIONS

| | | | |
|--------|----------------------|-------------------|---------|
| 3 2 | .032 | #27-#22 AWG | 63480-2 |
| | MATING TAB THK ±.001 | MAGNET WIRE RANGE | 63480-1 |

| | | | | | | | |
|--|--|------------------------------------|---------------------------------------|---------------|------------------|---------------------|------------------|
| THIS DRAWING IS A CONTROLLED DOCUMENT. | | DWN - M.S. FEHER 11/24/87 | TE Connectivity | | | | |
| DIMENSIONS: INCHES | | CHK - G YETTER 2/3/87 | | | | | |
| TOLERANCES UNLESS OTHERWISE SPECIFIED: | | APVD - D SCHEWNK 12/15/87 | STATOR RECEPTACLE AMPLIVAR™ | | | | |
| 0 PLC ± - 1 PLC ± - 2 PLC ± - 3 PLC ± .010 4 PLC ± - ANGLES ± - | | PRODUCT SPEC - C G ATHERTON 2/3/87 | | | | | |
| MATERIAL: BRASS | | FINISH: PRE-TIN | APPLICATION SPEC - | SIZE: A3 | CAGE CODE: 00779 | DRAWING NO: C-63480 | RESTRICTED TO: - |
| CUSTOMER DRAWING | | | SCALE: 5:1 | SHEET: 1 OF 1 | REV: E | | |