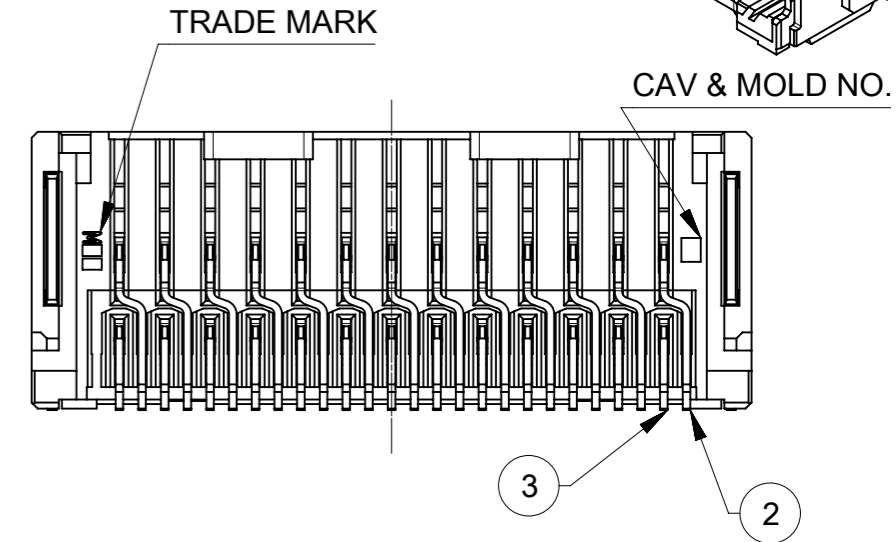
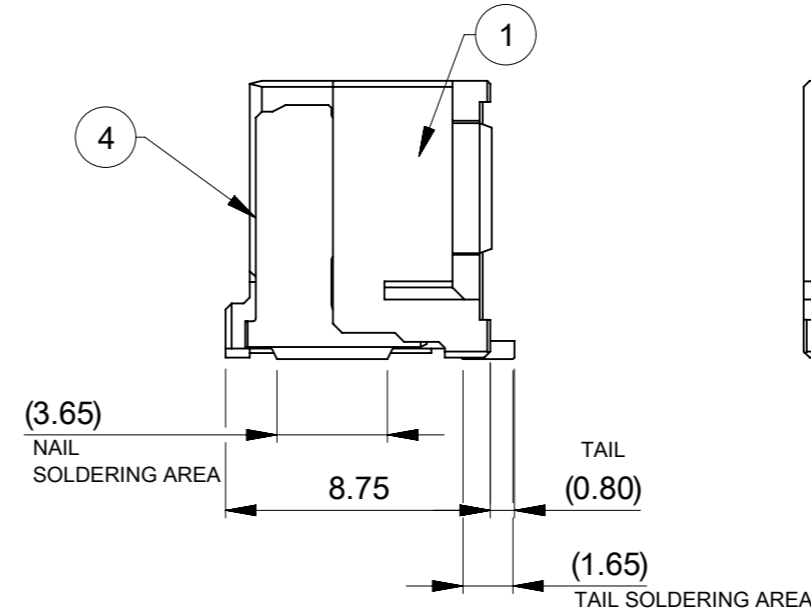
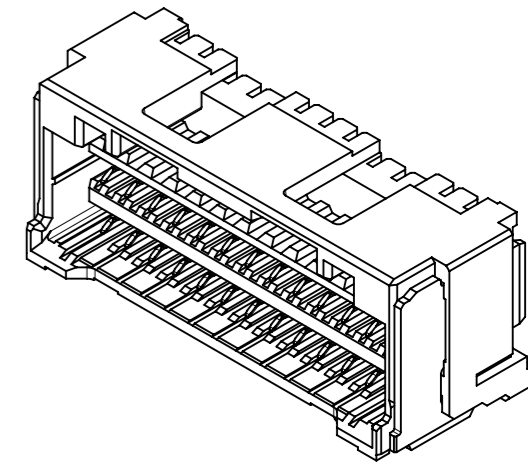


**NOTE**

- 端子テール部およびネイルの平坦度: 0.1mm MAX  
TAIL AND NAIL COPLANARITY TO BE 0.1mm MAX
- (極数/2) = 偶数 に適用  
APPLY FOR (CIRCUIT SIZE/2) = EVEN
- △ 関連製品・書類はSHEET 5を参照ください  
REFER TO SHEET 5 ABOUT RELATED PRODUCTS AND DOCUMENTS



△ 4. オーダー番号(製品番号): SHEET 6の製品一覧を参照のこと  
ORDER No. (PRODUCT No.) : REFER TO SHEET 6 FOR PRODUCT LIST.

**213228** \* \* \* \*

↑ シリーズ番号 SERIES NO  
↑ 極数 CIRCUIT SIZE  
↑ 色 COLOR  
↑ 金めっき厚 GOLD PLATING THICKNESS

| CIRCUIT | No. | GOLD THK[μm] | No. | COLOR         |
|---------|-----|--------------|-----|---------------|
| 08 ~ 26 | 1   | 0.1          | 0   | ナチュラル NATURAL |
|         | 3   | 0.38         | 1   | 黒 BLACK       |
|         | 7   | 0.76         |     |               |

|      |       |      |      |               |
|------|-------|------|------|---------------|
| 22.0 | ±0.25 | 18.0 | 23.8 | 26            |
| 20.5 |       | 16.5 | 22.3 | 24            |
| 19.0 |       | 15.0 | 20.8 | 22            |
| 17.5 |       | 13.5 | 19.3 | 20            |
| 16.0 |       | 12.0 | 17.8 | 18            |
| 14.5 |       | 10.5 | 16.3 | 16            |
| 13.0 |       | 9.0  | 14.8 | 14            |
| 11.5 | 7.5   | 13.3 | 12   |               |
| 10.0 | 6.0   | 11.8 | 10   |               |
| 8.5  | ±0.2  | 4.5  | 10.3 | 8             |
| C    |       | B    | A    | 極数<br>CKT.NO. |

| 番号 NO. | 部品 PART                                    | 材質 MATERIAL  |   |
|--------|--|--|---|
| ①      | ハウジング HOUSING                              | ポリアミド(PA) UL94V-0 色 : SEE CHART<br>POLYAMIDE(PA) UL94V-0 COLOR : SEE CHART |   |
| ②      | ターミナル TERMINAL                             | 銅合金<br>COPPER ALLOY  |   |
|        |  | コンタクト部<br>CONTACT AREA   | 金めっき : 製品一覧参照<br>GOLD PLATING : SEE PRODUCT LIST                        |
|        |  | テール部<br>TAIL AREA  | 無光沢錫めっき : 1.0 micro-meter MIN<br>MATTE TIN PLATING: 1.0 micro-meter MIN |
| ③      | 下地めっき(全面)<br>UNDER PLATING (WHOLE SURFACE) | ニッケルめっき : 2.0 micro-meters MIN<br>NICKEL PLATING : 2.0 micro-meters MIN    |   |
|        |  | 黄銅<br>BRASS  |   |
| ④      | ネイル NAIL                                   | 無光沢錫めっき : 1.0 micro-meter MIN<br>MATTE TIN PLATING                         |   |
|        |  | ニッケルめっき(下地) : 1.0 micro-meter MIN<br>NICKEL PLATING(UNDER PLATING)         |   |

DOCUMENT STATUS P1 RELEASE DATE 2021/10/05 08:21:54

THIS DRAWING CONTAINS INFORMATION THAT IS PROPRIETARY TO MOLEX ELECTRONIC TECHNOLOGIES, LLC AND SHOULD NOT BE USED WITHOUT WRITTEN PERMISSION

DIMENSION UNITS: mm SCALE: NTS

GENERAL TOLERANCES (UNLESS SPECIFIED):

ANGULAR TOL ± 3.0°

4 PLACES ± 0.2  
3 PLACES ± 0.2  
2 PLACES ± 0.2  
1 PLACE ± 0.2  
0 PLACES ± 0.2

EC NO: 680153  
DRWN: MIKEDA01 2021/10/05  
CHK'D: SAKIYAMA 2021/10/05  
APPR: KOMURAKAMI 2021/10/05

INITIAL REVISION:  
DRWN: MIKEDA01 2019/10/01  
APPR: KOMURAKAMI 2019/11/20

THIRD ANGLE PROJECTION

DRAFT WHERE APPLICABLE MUST REMAIN WITHIN DIMENSIONS

CURRENT REV DESC: REVISED

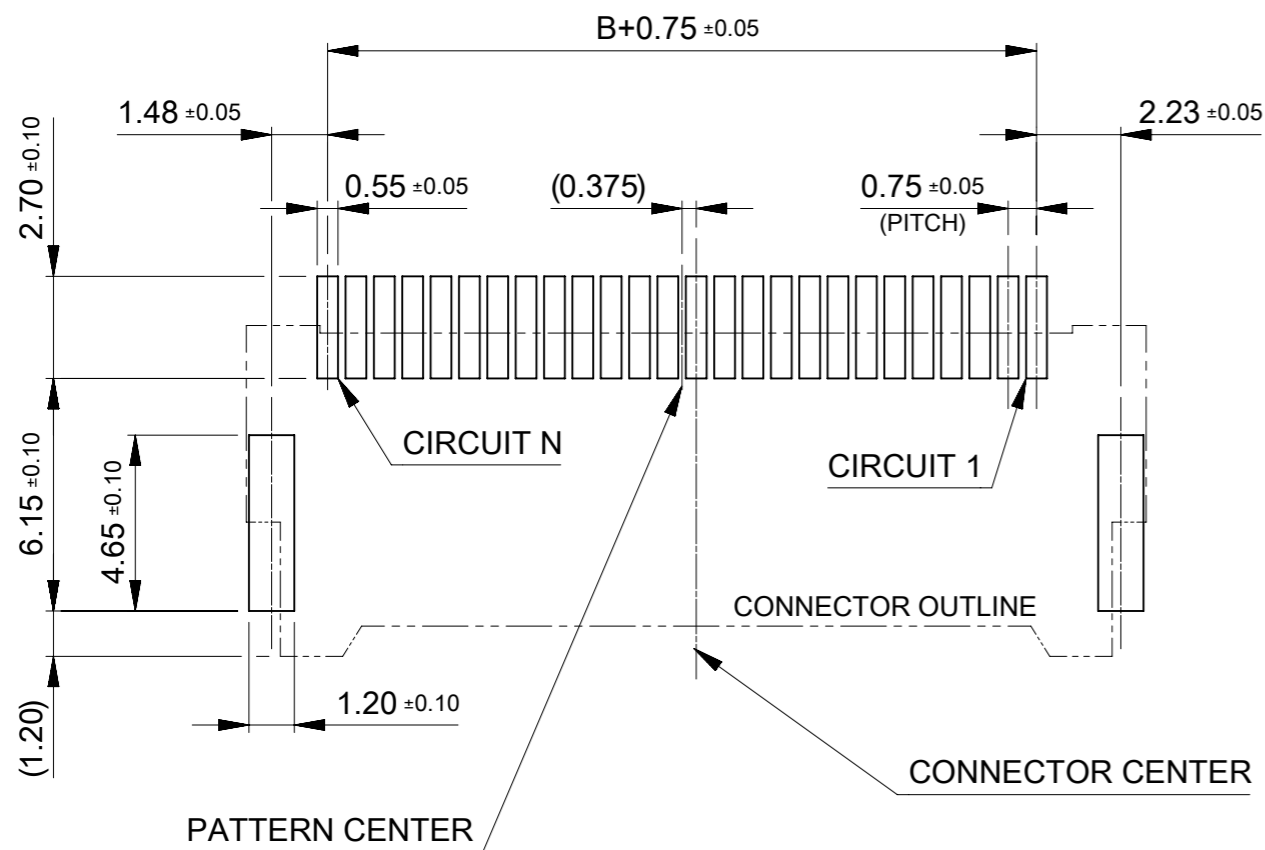
**molex**

CLIK-MATE 1.5  
DUAL ROW SMT R/A TYPE GOLD PLATING

PRODUCT CUSTOMER DRAWING

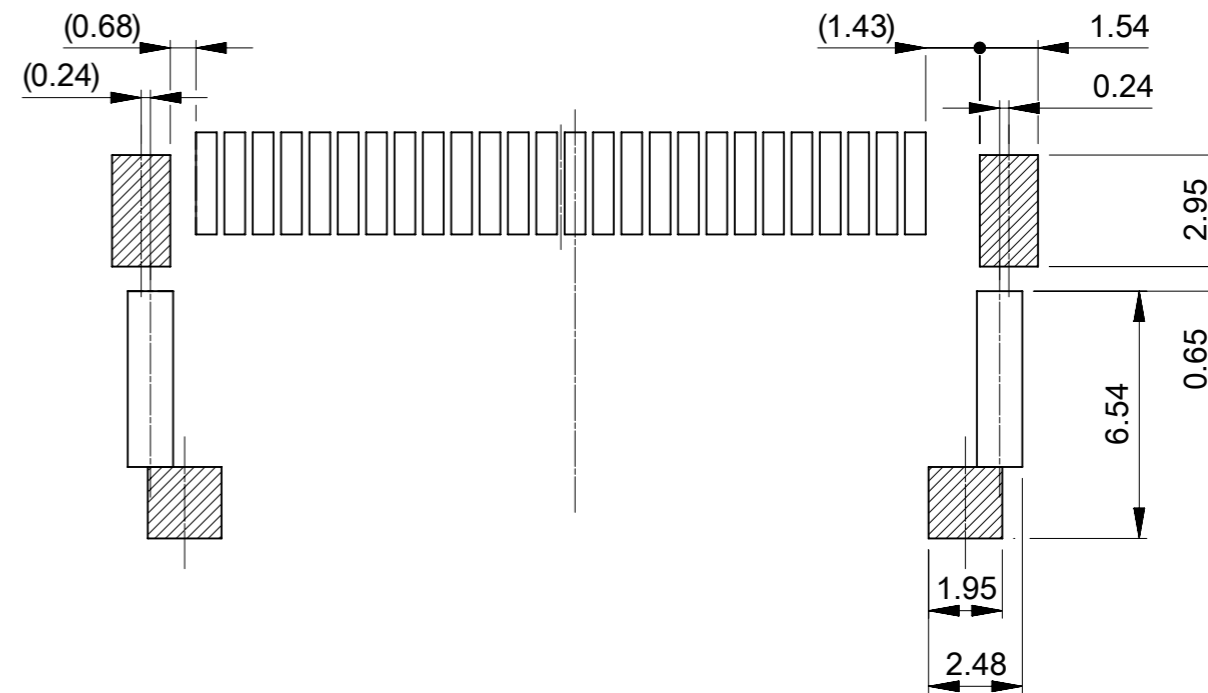
DOCUMENT NUMBER: 2132280000-SD  
DOC TYPE: PSD  
DOC PART: 000  
REVISION: F

SHEET NUMBER: 1 OF 6



**基板パターンレイアウト(参考)**  
 RECCOMENDED PCB PATTERN LAYOUT (REF)

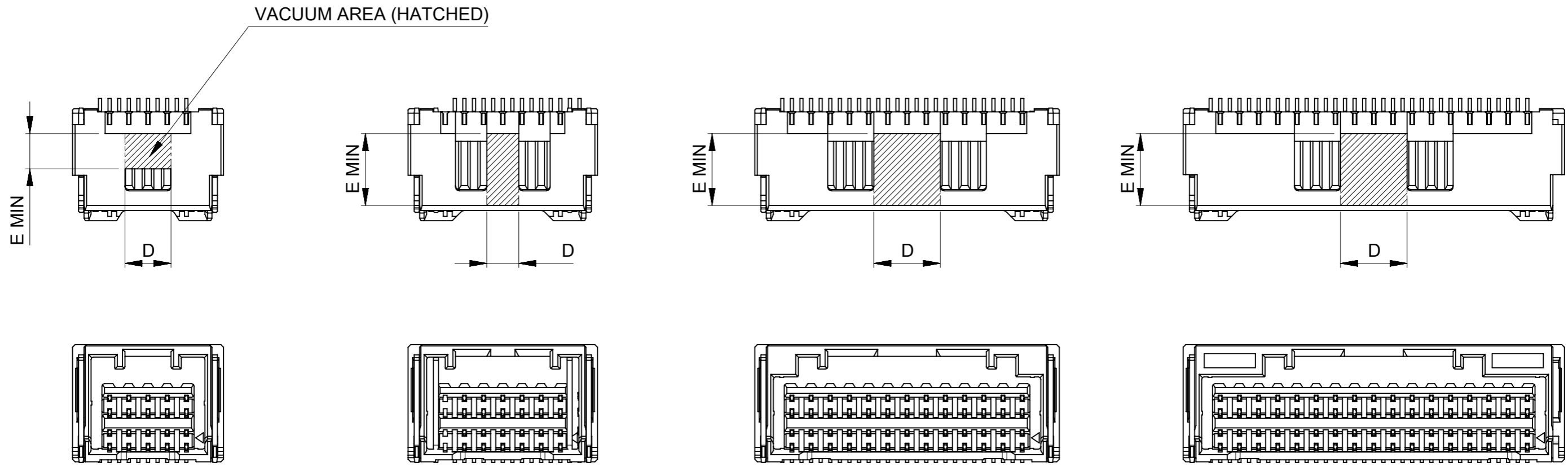
(参考 : メタルマスク厚さ 0.10mm, マスク開口率100%)  
 (REFERENCE: METAL MASK THICKNESS 0.10MM, APERTURE RATIO 100%)



**パターン非推奨エリア**

パターンを引き回す際は、製品機能に影響がないことをご確認ください。  
 PATTERN IS NOT RECCOMENDED ON THE HATCHED AREA.  
 PLEASE CHECK NOT TO HAVE PROBLEM FOR PRODUCT FUNCTION  
 WHEN SETTING PATTERN ON THE HATCHED AREA.

|   |         |                           |            |        |                 |          |  |   |          |
|---|---------|---------------------------|------------|--------|-----------------|----------|--|---|----------|
| THIS DRAWING CONTAINS INFORMATION THAT IS PROPRIETARY TO MOLEX ELECTRONIC TECHNOLOGIES, LLC AND SHOULD NOT BE USED WITHOUT WRITTEN PERMISSION |         |                           |            |        |                 |          |  |   |          |
| DIMENSION UNITS   | SCALE   | CURRENT REV DESC: REVISED |            |        |                 |          |  | <b>molex</b>  |          |
| mm  | NTS     |                           |            |        |                 |          |  |   |          |
| GENERAL TOLERANCES (UNLESS SPECIFIED)   |         |                           |            |        |                 |          |  | CLIK-MATE 1.5<br>DUAL ROW SMT R/A TYPE GOLD PLATING |          |
| ANGULAR TOL   | ± 3.0 ° |                           |            |        |                 |          |  | PRODUCT CUSTOMER DRAWING                            |          |
| 4 PLACES  | ± 0.2   | EC NO: 680153             |            |        |                 |          |  | DOCUMENT NUMBER                                     |          |
| 3 PLACES  | ± 0.2   | DRWN: MIKEDA01            | 2021/10/05 |        |                 |          |  | 2132280000-SD                                       |          |
| 2 PLACES  | ± 0.2   | CHK'D: SAKIYAMA           | 2021/10/05 |        |                 |          |  | DOC TYPE  | DOC PART |
| 1 PLACE   | ± 0.2   | APPR: KOMURAKAMI          | 2021/10/05 |        |                 |          |  | PSD   | 000      |
| 0 PLACES  | ± 0.2   | INITIAL REVISION:         |            |        |                 |          |  | REVISION  | F        |
| DRAFT WHERE APPLICABLE MUST REMAIN WITHIN DIMENSIONS  |         | DRWN: MIKEDA01            | 2019/10/01 |        |                 |          |  |   |          |
|   |         | APPR: KOMURAKAMI          | 2019/11/20 |        |                 |          |  |   |          |
|   |         | THIRD ANGLE PROJECTION    | DRAWING    | SERIES | MATERIAL NUMBER | CUSTOMER |  | SHEET NUMBER  |          |
|   |         |                           | A3-SIZE    | 213228 | SEE CHART       | GENERAL  |  | 2 OF 6  |          |



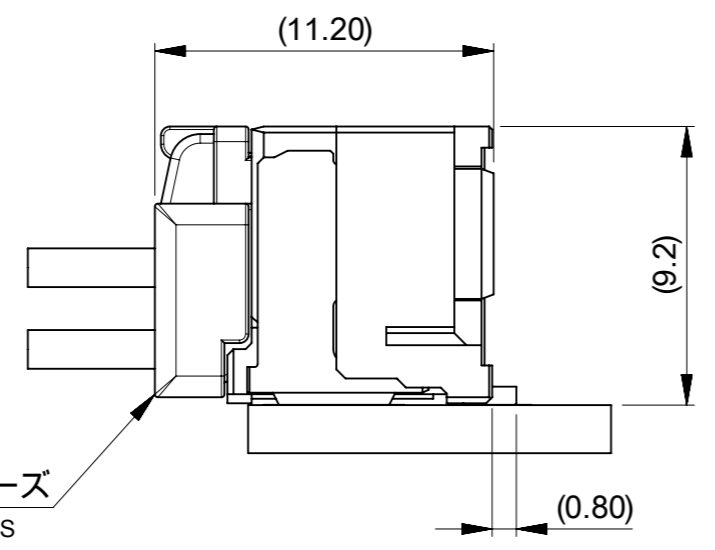
8-10極  
8-10 CKT

12-18極  
12-18 CKT

20-28極  
20-28 CKT

30-34極  
30-34 CKT

極数別ハウジング形状および吸着エリア  
HOUSING SHAPE AND VACUUM AREA AT EACH CKTS

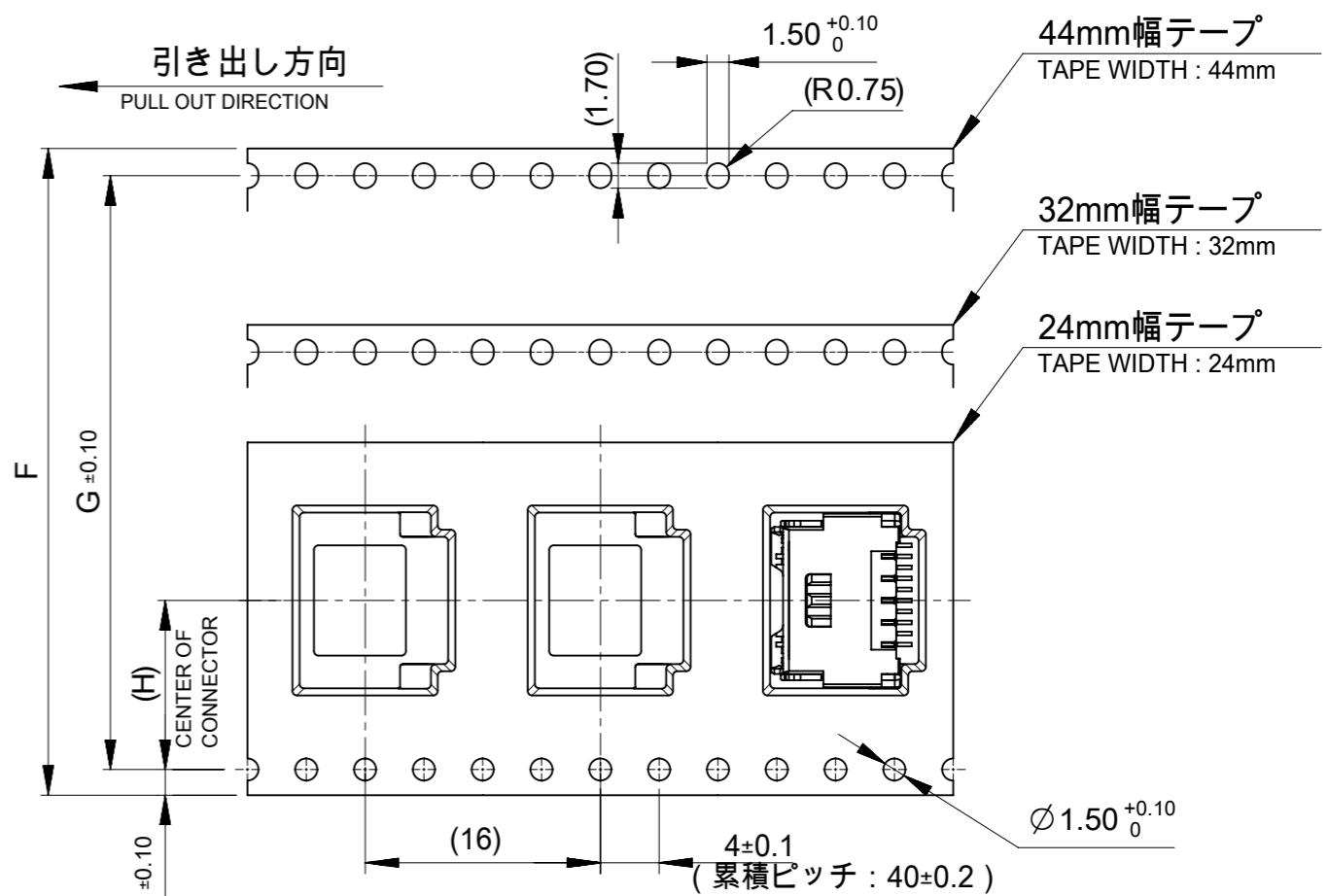
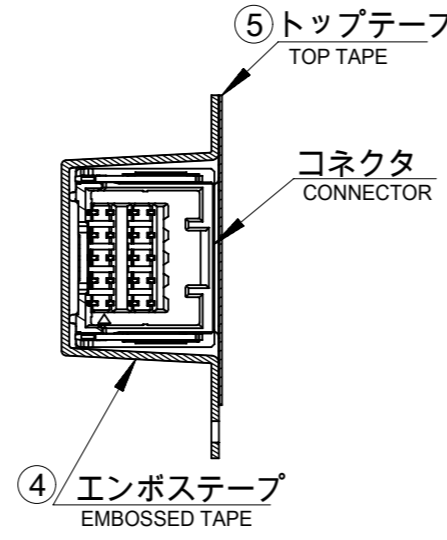
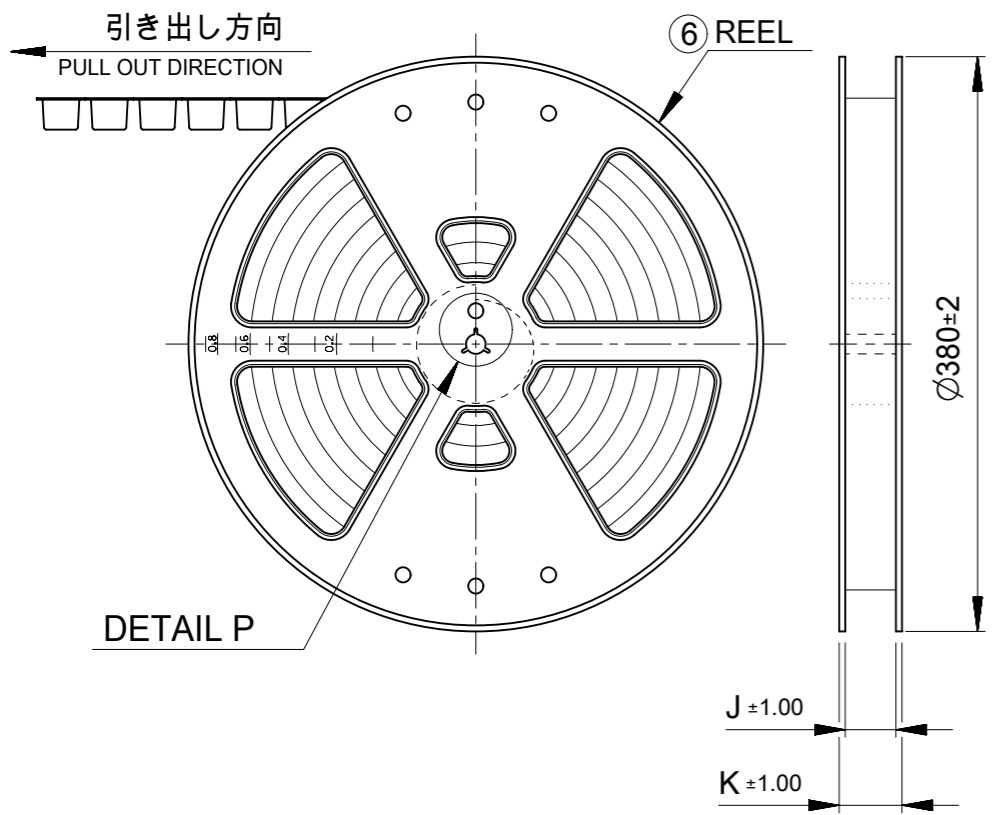


嵌合相手：503149シリーズ  
MATE WITH: 503149 SERIES

嵌合図  
MATED CONNECTORS

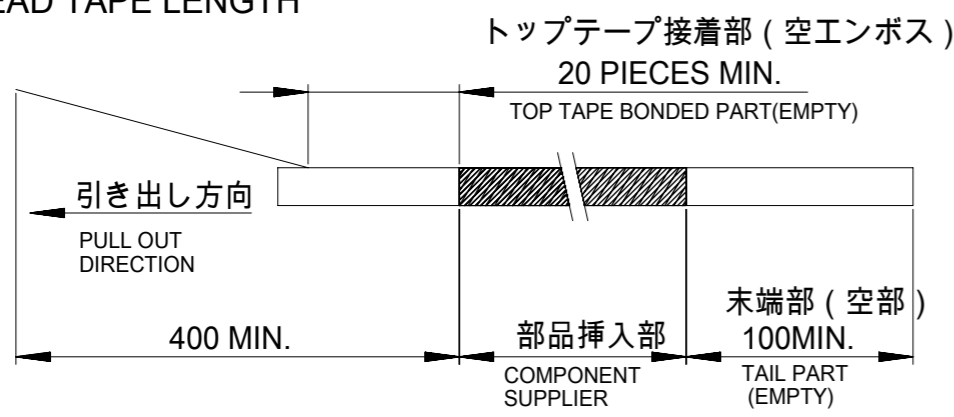
|      |     |        |
|------|-----|--------|
| 5.6  | 5.2 | 26     |
|      |     | 24     |
| 4.2  | 4.2 | 22     |
|      | 3.2 | 20     |
|      |     | 18     |
| 2.5  | 2.5 | 16     |
|      |     | 14     |
| 2.3  | 2.3 | 12     |
|      |     | 10     |
| 2.75 | 3.6 | 8      |
|      |     |        |
| E    | D   | CKT NO |

|   |         |                             |  |   |  |
|---|---------|-----------------------------|--|---|--|
| THIS DRAWING CONTAINS INFORMATION THAT IS PROPRIETARY TO MOLEX ELECTRONIC TECHNOLOGIES, LLC AND SHOULD NOT BE USED WITHOUT WRITTEN PERMISSION |         | CURRENT REV DESC: REVISED   |  | <b>molex</b>  |  |
| DIMENSION UNITS   | SCALE   |                             |  |   |  |
| mm  | NTS     |                             |  | CLIK-MATE 1.5<br>DUAL ROW SMT R/A TYPE GOLD PLATING |  |
| GENERAL TOLERANCES (UNLESS SPECIFIED)   |         |                             |  | PRODUCT CUSTOMER DRAWING                            |  |
| ANGULAR TOL   | ± 3.0 ° |                             |  | DOCUMENT NUMBER                                     |  |
| 4 PLACES  | ± 0.2   | EC NO: 680153               |  | 2132280000-SD                                       |  |
| 3 PLACES  | ± 0.2   | DRWN: MIKEDA01 2021/10/05   |  | DOC TYPE  |  |
| 2 PLACES  | ± 0.2   | CHK'D: SAKIYAMA 2021/10/05  |  | PSD   |  |
| 1 PLACE   | ± 0.2   | APPR: KOMURAKAMI 2021/10/05 |  | DOC PART  |  |
| 0 PLACES  | ± 0.2   | INITIAL REVISION:           |  | 000   |  |
| DRAFT WHERE APPLICABLE MUST REMAIN WITHIN DIMENSIONS  |         | DRWN: MIKEDA01 2019/10/01   |  | REVISION  |  |
| THIRD ANGLE PROJECTION  |         | APPR: KOMURAKAMI 2019/11/20 |  | F   |  |
| DRAWING   |         | SERIES                      |  | SHEET NUMBER  |  |
| A3-SIZE   |         | 213228                      |  | 3 OF 6  |  |
| MATERIAL NUMBER   |         | CUSTOMER                    |  |   |  |
| SEE CHART   |         | GENERAL                     |  |   |  |



**NOTE**

- 5. 梱包数量 : 550個 / リール  
NUMBER OF CONNECTORS : 550 PIECES/REEL
- 6. リードテープ長さ  
LEAD TAPE LENGTH



- 7. トップテープの剥離強度はJIS C0806-3 準拠  
TOP TAPE PEELING OFF FORCE IS DIFINED BY JIS C0806-3.
- 8. 本製品は乾燥剤入り、ハイバリア梱包である。  
THIS PRODUCT IS DELIVERED IN HIGH BARRIER PACKAGE WITH DESICCANT.

|      |      |      |      |                                    |         |
|------|------|------|------|------------------------------------|---------|
| 49.4 | 45.4 | 20.2 | 40.4 | 44±0.3                             | 26      |
|      |      |      |      |                                    | 24      |
|      |      |      |      |                                    | 22      |
|      |      |      |      |                                    | 20      |
|      |      |      |      |                                    | 18      |
|      |      |      |      |                                    | 16      |
|      |      |      |      |                                    | 14      |
|      |      |      |      |                                    | 12      |
|      |      |      |      | 24 <sup>+0.3</sup> <sub>-0.1</sub> | 10      |
|      |      |      |      |                                    | 8       |
| K    | J    | H    | G    | エンボステープ幅F<br>WIDTH OF TAPE         | CKT NO. |

THIS DRAWING CONTAINS INFORMATION THAT IS PROPRIETARY TO MOLEX ELECTRONIC TECHNOLOGIES, LLC AND SHOULD NOT BE USED WITHOUT WRITTEN PERMISSION

DIMENSION UNITS: mm SCALE: NTS

CURRENT REV DESC: REVISED

**molex**

CLIK-MATE 1.5  
DUAL ROW SMT R/A TYPE GOLD PLATING

PRODUCT CUSTOMER DRAWING

EC NO: 680153  
DRWN: MIKEDA01 2021/10/05  
CHK'D: SAKIYAMA 2021/10/05  
APPR: KOMURAKAMI 2021/10/05

INITIAL REVISION:  
DRWN: MIKEDA01 2019/10/01  
APPR: KOMURAKAMI 2019/11/20

DOCUMENT NUMBER: 2132280000-SD  
DOC TYPE: PSD  
DOC PART: 000  
REVISION: F

DRAFT WHERE APPLICABLE MUST REMAIN WITHIN DIMENSIONS

THIRD ANGLE PROJECTION

DRAWING: A3-SIZE  
SERIES: 213228  
MATERIAL NUMBER: SEE CHART  
CUSTOMER: GENERAL  
SHEET NUMBER: 4 OF 6

| 番号 No. | 部品 PART                   | 材質 MATERIAL   |
|--------|---------------------------|---|
| ④      | エンボステープ<br>EMBOSSSED TAPE | ポリスチレン(PS)<br>POLYSTYLENE   |
| ⑤      | トップテープ<br>TOP TAPE        | ポリエチレン、ポリエチレンテレフタレート<br>POLYETHYLENE (PE), POLYETHYLENE TELEPHTHALATE (PET) |
| ⑥      | リール<br>REEL               | ポリスチレン (リサイクル材を含む)<br>POLYSTYLENE (CONTAINED RECYCLED MATERIAL)             |

△ 3 適用製品及び各種仕様書  
 APPLICABLE PRODUCTS AND VARIOUS SPECIFICATIONS

|                                  |                            |                                   |
|----------------------------------|----------------------------|-----------------------------------|
| 梱包仕様書<br>PACKAGING SPECIFICATION | PART NUMBER<br>213228 **** | DOCUMENT NUMBER<br>2132289200-SPK |
|----------------------------------|----------------------------|-----------------------------------|

|  |                      |                         |             |             |
|--|----------------------|-------------------------|-------------|-------------|
| 適用嵌合相手<br>MATE WITH                      | HOUSING              | TERMINAL (GOLD PLATING) |             |             |
|  |                      | PLATING THK             | #24-28      | #28-30      |
| 製品番号<br>PRODUCT NUMBER                   | 503149 ****          | 0.1 micro-meters        | 213028 1*00 | 213029 1*00 |
|  |                      | 0.38 micro-meters       | 213028 3*00 | 213029 3*00 |
|  |                      | 0.76 micro-meters       | 213028 7*00 | 213029 7*00 |
| 製品仕様書<br>PRODUCT SPECIFICATION           | 5031490002-PS/PS/000 |                         |             |             |
| アプリケーション仕様書<br>APPLICATION SPECIFICATION | AS-503149-001        |                         |             |             |

|   |         |                           |            |        |                 |                 |   |          |          |          |
|---|---------|---------------------------|------------|--------|-----------------|-----------------|---|----------|----------|----------|
| THIS DRAWING CONTAINS INFORMATION THAT IS PROPRIETARY TO MOLEX ELECTRONIC TECHNOLOGIES, LLC AND SHOULD NOT BE USED WITHOUT WRITTEN PERMISSION |         |                           |            |        |                 |                 |   |          |          |          |
| DIMENSION UNITS   | SCALE   | CURRENT REV DESC: REVISED |            |        |                 |                 | <b>molex</b>  |          |          |          |
| mm  | NTS     |                           |            |        |                 |                 | CLIK-MATE 1.5<br>DUAL ROW SMT R/A TYPE GOLD PLATING |          |          |          |
| GENERAL TOLERANCES<br>(UNLESS SPECIFIED)  |         |                           |            |        |                 |                 | PRODUCT CUSTOMER DRAWING                            |          |          |          |
| ANGULAR TOL   | ± 3.0 ° |                           |            |        |                 |                 |   |          |          |          |
| 4 PLACES  | ± 0.2   | EC NO: 680153             |            |        |                 |                 |   |          |          |          |
| 3 PLACES  | ± 0.2   | DRWN: MIKEDA01            | 2021/10/05 |        |                 |                 |   |          |          |          |
| 2 PLACES  | ± 0.2   | CHK'D: SAKIYAMA           | 2021/10/05 |        |                 |                 |   |          |          |          |
| 1 PLACE   | ± 0.2   | APPR: KOMURAKAMI          | 2021/10/05 |        |                 |                 |   |          |          |          |
| 0 PLACES  | ± 0.2   | INITIAL REVISION:         |            |        |                 | DOCUMENT NUMBER |   | DOC TYPE | DOC PART | REVISION |
|   |         | DRWN: MIKEDA01            | 2019/10/01 |        |                 | 2132280000-SD   |   | PSD      | 000      | F        |
|   |         | APPR: KOMURAKAMI          | 2019/11/20 |        |                 |                 |   |          |          |          |
| DRAFT WHERE APPLICABLE<br>MUST REMAIN<br>WITHIN DIMENSIONS  |         | THIRD ANGLE PROJECTION    | DRAWING    | SERIES | MATERIAL NUMBER | CUSTOMER        | SHEET NUMBER  |          |          |          |
|   |         |                           | A3-SIZE    | 213228 | SEE CHART       | GENERAL         | 5 OF 6  |          |          |          |

|                 |    |              |            |          |
|-----------------|----|--------------|------------|----------|
| DOCUMENT STATUS | P1 | RELEASE DATE | 2021/10/05 | 08:21:54 |
|-----------------|----|--------------|------------|----------|

4 製品一覧  
PRODUCTS LIST

| 黒 BLACK         | ナチュラル NATURAL | HOUSING COLOR |   |          |
|-----------------|---------------|---------------|---|----------|
| 213228 2611     | 213228 2610   | 26            | 213228 **1*<br>(GOLD PLATING<br>THICKNESS: 0.1<br>micro-meters MIN) |          |
| 213228 2411     | 213228 2410   | 24            |   |          |
| 213228 2211     | 213228 2210   | 22            |   |          |
| 213228 2011     | 213228 2010   | 20            |   |          |
| 213228 1811     | 213228 1810   | 18            |   |          |
| 213228 1611     | 213228 1610   | 16            |   |          |
| 213228 1411     | 213228 1410   | 14            |   |          |
| 213228 1211     | 213228 1210   | 12            |   |          |
| 213228 1011     | 213228 1010   | 10            |   |          |
| 213228 0811     | 213228 0810   | 8             |   |          |
| オーダー番号 ORDER No |               | 極数<br>CKT     |   | MODEL NO |

| 黒 BLACK         | ナチュラル NATURAL | HOUSING COLOR |  |          |
|-----------------|---------------|---------------|--|----------|
| 213228 2631     | 213228 2630   | 26            | 213228 **3*<br>(GOLD PLATING<br>THICKNESS: 0.38<br>micro-meters MIN) |          |
| 213228 2431     | 213228 2430   | 24            |  |          |
| 213228 2231     | 213228 2230   | 22            |  |          |
| 213228 2031     | 213228 2030   | 20            |  |          |
| 213228 1831     | 213228 1830   | 18            |  |          |
| 213228 1631     | 213228 1630   | 16            |  |          |
| 213228 1431     | 213228 1430   | 14            |  |          |
| 213228 1231     | 213228 1230   | 12            |  |          |
| 213228 1031     | 213228 1030   | 10            |  |          |
| 213228 0831     | 213228 0830   | 8             |  |          |
| オーダー番号 ORDER No |               | 極数<br>CKT     |  | MODEL NO |

| 黒 BLACK         | ナチュラル NATURAL | HOUSING COLOR |  |
|-----------------|---------------|---------------|--|
| 213228 2671     | 213228 2670   | 26            | 213228 **7*<br>(GOLD PLATING<br>THICKNESS: 0.76<br>micro-meters MIN) |
| 213228 2471     | 213228 2470   | 24            |  |
| 213228 2271     | 213228 2270   | 22            |  |
| 213228 2071     | 213228 2070   | 20            |  |
| 213228 1871     | 213228 1870   | 18            |  |
| 213228 1671     | 213228 1670   | 16            |  |
| 213228 1471     | 213228 1470   | 14            |  |
| 213228 1271     | 213228 1270   | 12            |  |
| 213228 1071     | 213228 1070   | 10            |  |
| 213228 0871     | 213228 0870   | 8             |  |
| オーダー番号 ORDER No |               | 極数<br>CKT     | MODEL NO   |

|   |         |  |  |         |        |   |          |          |   |
|---|---------|--|--|---------|--------|---|----------|----------|---|
| THIS DRAWING CONTAINS INFORMATION THAT IS PROPRIETARY TO MOLEX ELECTRONIC TECHNOLOGIES, LLC AND SHOULD NOT BE USED WITHOUT WRITTEN PERMISSION |         |  |  |         |        |   |          |          |   |
| DIMENSION UNITS   | SCALE   | CURRENT REV DESC: REVISED  |  |         |        | <b>molex</b>  |          |          |   |
| mm  | NTS     |  |  |         |        |   |          |          |   |
| GENERAL TOLERANCES<br>(UNLESS SPECIFIED)  |         | EC NO: 680153<br>DRWN: MIKEDA01 2021/10/05<br>CHK'D: SAKIYAMA 2021/10/05<br>APPR: KOMURAKAMI 2021/10/05<br>INITIAL REVISION:<br>DRWN: MIKEDA01 2019/10/01<br>APPR: KOMURAKAMI 2019/11/20 |  |         |        | CLIK-MATE 1.5<br>DUAL ROW SMT R/A TYPE GOLD PLATING |          |          |   |
| ANGULAR TOL   | ± 3.0 ° |  |  |         |        | PRODUCT CUSTOMER DRAWING                            |          |          |   |
| 4 PLACES  | ± 0.2   |  |  |         |        | DOCUMENT NUMBER                                     |          |          |   |
| 3 PLACES  | ± 0.2   |  |  |         |        | 2132280000-SD                                       |          |          |   |
| 2 PLACES  | ± 0.2   |  |  |         |        | DOC TYPE  |          |          |   |
| 1 PLACE   | ± 0.2   |  |  |         |        | PSD   |          |          |   |
| 0 PLACES  | ± 0.2   | DOC PART   |  |         |        |   |          |          |   |
| DRAFT WHERE APPLICABLE<br>MUST REMAIN<br>WITHIN DIMENSIONS  |         | THIRD ANGLE PROJECTION   |  | DRAWING | SERIES | MATERIAL NUMBER                                     | CUSTOMER | REVISION |   |
|   |         |  |  | A3-SIZE | 213228 | SEE CHART   | GENERAL  | 000      | F |
|   |         |  |  |         |        |   |          | 6 OF 6   |   |