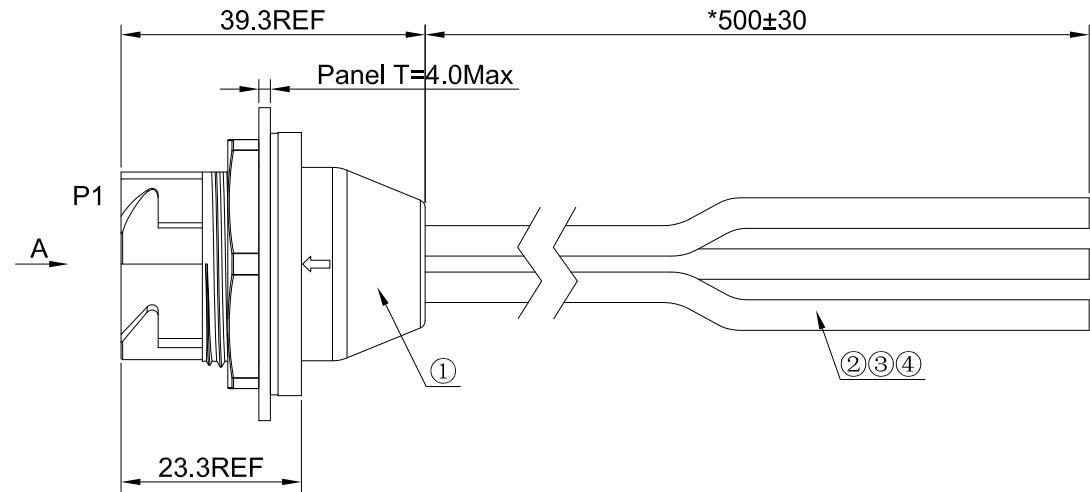
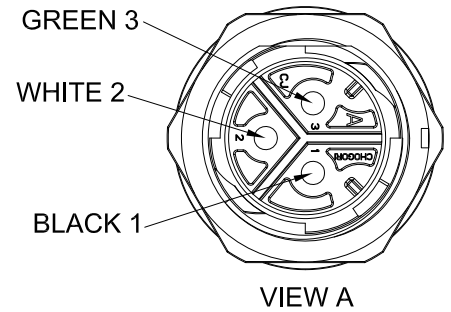
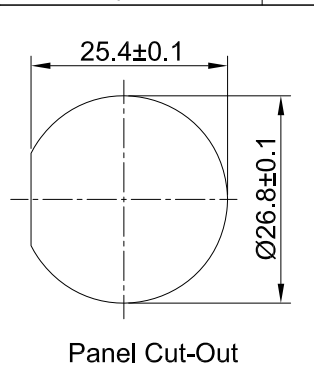


5	6	7	8
REV.	ECN NO.	DATE	SIGN
C1	NA	2022/05/29	XU
		DESCRIPTION	
		First Version	



P/N: 24003535-01-001

**SPECIFICATIONS:**

- 1.INSULATION RESISTANCE: 10MΩ@500VDC/0.01S.
- 2.VOLTAGE RATING: 600V.
- 3.CURRENT RATING: 35A.
- 4.OPERATION TEMPERATURE: -10℃~+105℃.
- 5.WATERPROOF IPX7(MATED).
- 6.RoHS COMPLIANT.

4	900-00101-00181	A/R	M	UL1015 12AWG PVC 105℃ 600V WHITE OD3.94
3	900-00101-00137	A/R	M	UL1015 12AWG PVC 105℃ 600V GREEN OD3.94
2	900-00101-00106	A/R	M	UL1015 12AWG PVC 105℃ 600V BLACK OD3.94
1	24003535-01-001	1	PC	LARGE SERIES 3PIN PANEL MOUNT WITH MALE PIN(4 LOCKS,MOLDING,-501)
No.	Material No.	Q'ty	Unit	Material Description

**Material List**

UNIT:mm		TITLE
未注线性和角度尺寸公差 UNSPECIFIED TOLERANCE		LARGE SERIES 3PIN PANEL MOUNT WITH MALE PIN(4 LOCKS,MOLDING,-501) L=500MM
SCALE	N/A	SHEET
		1 of 1
REV.	C1	SIZE
		A4
		* Inspection Item



ITEM NO.	11C03622051503	DRAWN BY	XU	DATE	2022/05/29
DWG NO.	11C03622051503	CHECKED BY		DATE	Kevin 2022.05.30 11:13:20 +0800
CUSTOMER NO.		REV.		APPROVED BY	

THIS INFORMATION IS CONFIDENTIAL AND IS DISCLOSED TO YOU ON CONDITION THAT NO FURTHER DISCLOSURE IS MADE BY YOU TO OTHER THAN CHOGORI PERSONNEL WITHOUT AUTHORIZATION FROM CHOGORI CORP.