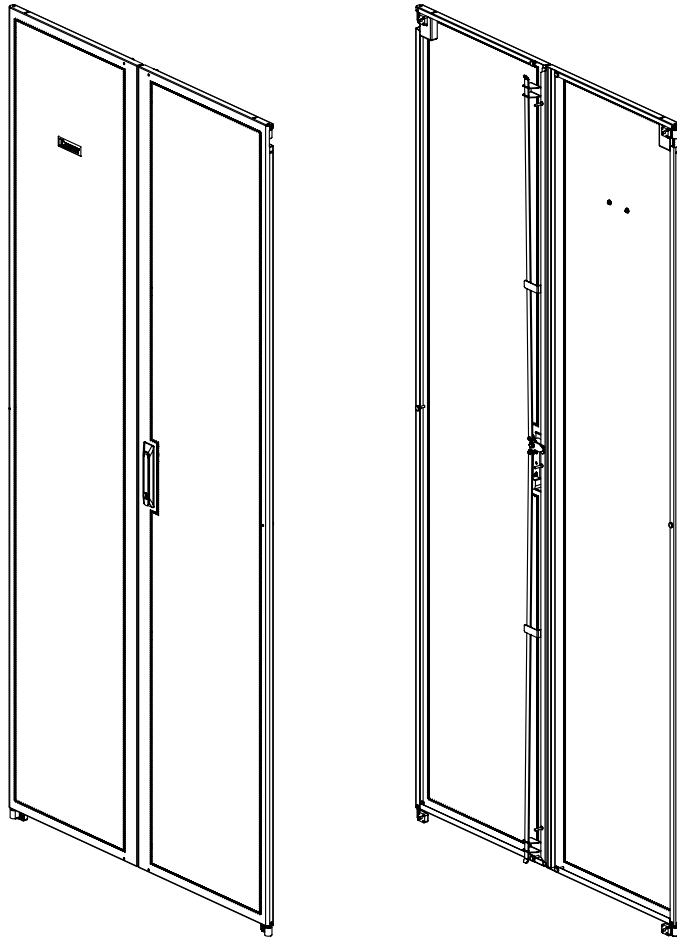
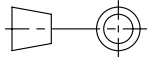


THIS COPY IS PROVIDED ON A RESTRICTED BASIS AND IS NOT TO BE USED IN ANY WAY DETRIMENTAL TO THE INTERESTS OF PANDUIT CORP.

PANDUIT P/N	DESCRIPTION	WEIGHT
N2SD1000	SPLIT DOOR 1000mm WIDE X 42RU HIGH	34.0 LBS/EACH 15.5 Kg/EACH
N5SD1000	SPLIT DOOR 1000mm WIDE X 45RU HIGH	37.0 LBS/EACH 16.8 Kg/EACH
N8SD1000	SPLIT DOOR 1000mm WIDE X 48RU HIGH	40.0 LBS/EACH 18.2 Kg/EACH
N1SD1000	SPLIT DOOR 1000mm WIDE X 51RU HIGH	43.0 LBS/EACH 19.5 Kg/EACH

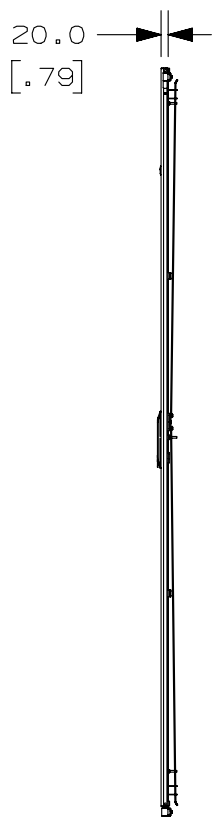
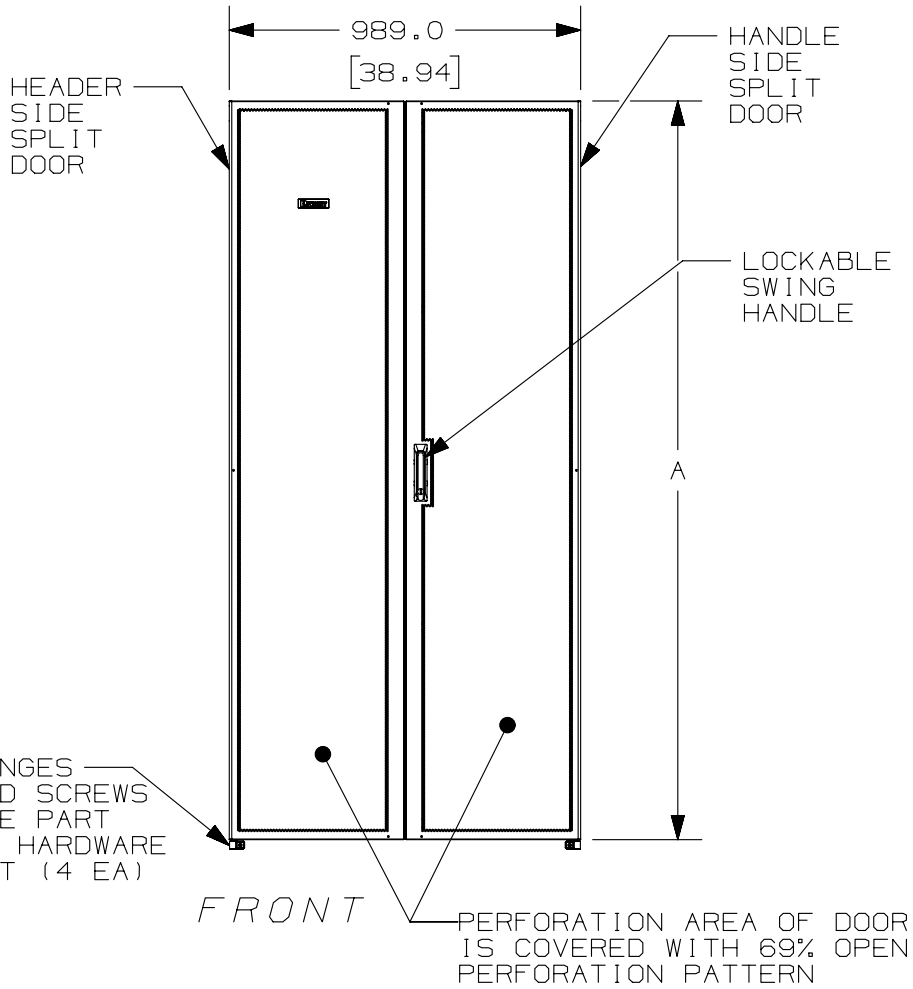


- VISIT OUR ON-LINE CATALOG AT [WWW.PANDUIT.COM](http://WWW.PANDUIT.COM) FOR A LIST OF CURRENT PARTS APPLICABLE FOR USE WITH THIS PRODUCT.
- PARTS SUPPLIED:
  - 1- HANDLE SIDE DOOR SECTION
  - 1- HEADER SIDE DOOR SECTION
  - 1- HARDWARE KIT
  - 1- INSTRUCTION SHEET
- PRIMARY DIMENSIONS ARE IN MILLIMETERS.
- PART NUMBER SHOWN AS BLACK. ADD "W" FOR WHITE, "G" FOR GRAY

TITLE		1000 SPLIT DOOR FINISHED GOOD	
CUSTOMER DRAWING			
ITEM REVISION NAME	12V343AD/00.PRT		
DATASET FILE NAME	12V343AD_DC/00A.PRT		
UNLESS OTHERWISE SPECIFIED, DIMENSIONAL TOLERANCES ARE:		MATERIAL/COLOR:	
INCHES	METRIC - MILLIMETER	N/A	
X.X +/- 0.03	X +/- 0.8		
X.XX +/- 0.018	X.X +/- 0.46		
X.XXX +/- 0.007	X.XX +/- 0.18		
THIRD ANGLE PROJECTION		DRAWING NUMBER:	
		12V343AD_DC	
DRAWN BY	DATE	CHK	SCALE
ROJC	4-17-13		NONE
REV	DATE	BY	CHK
APR	DESCRIPTION	ECN	SIZE
			A

OOA	4-17-13	ROJC		JDWE	RELEASED TO PRODUCTION	12V343AD_DC
REV	DATE	BY	CHK	APR	DESCRIPTION	ECN

THIS COPY IS PROVIDED ON A RESTRICTED BASIS AND IS NOT TO BE USED IN ANY WAY DETRIMENTAL TO THE INTERESTS OF PANDUIT CORP.



PANDUIT P/N	A
N2SD1000	1945.9 [ 76.61 ]
N5SD1000	2079.2 [ 81.86 ]
N8SD1000	2212.6 [ 87.11 ]
N1SD1000	2345.9 [ 92.36 ]

FRONT

PERFORATION AREA OF DOOR IS COVERED WITH 69% OPEN PERFORATION PATTERN

SIDE

REV	DATE	BY	CHK	APR	DESCRIPTION	ECN
00A	4-17-13	ROJC		JDWE	SEE SHEET 1 OF 2 FOR REVISIONS	12V343AD_DC

TITLE 1000 SPLIT DOOR FINISHED GOOD CUSTOMER DRAWING		
ITEM REVISION NAME 12V343AD/00.PRT		
DATASET FILE NAME 12V343AD_DC/00A.PRT		
UNLESS OTHERWISE SPECIFIED, DIMENSIONAL TOLERANCES ARE:		
INCHES X.X +/- 0.03 X.XX +/- 0.018 X.XXX +/- 0.007	METRIC - MILLIMETER X.X +/- 0.8 X.X +/- 0.46 X.XX +/- 0.18	ANGLE +/- 1°
DRAWING NUMBER: 12V343AD_DC		MATERIAL/COLOR: N/A
		THIRD ANGLE PROJECTION
DRAWN BY ROJC	DATE 4-17-13	CHK SCALE NONE
SHT 2 OF 2		SIZE A