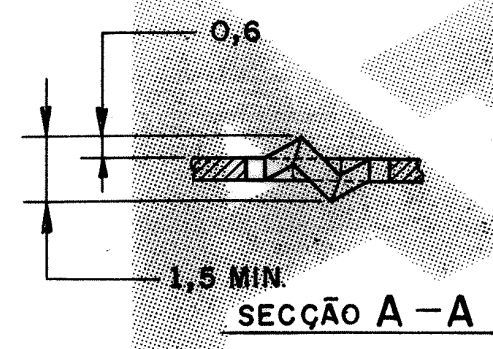
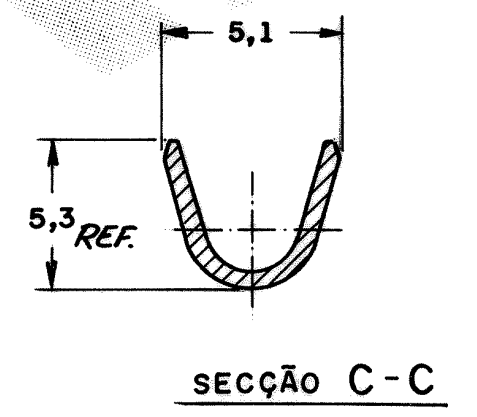
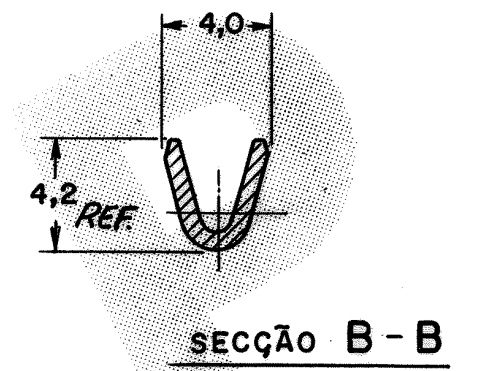
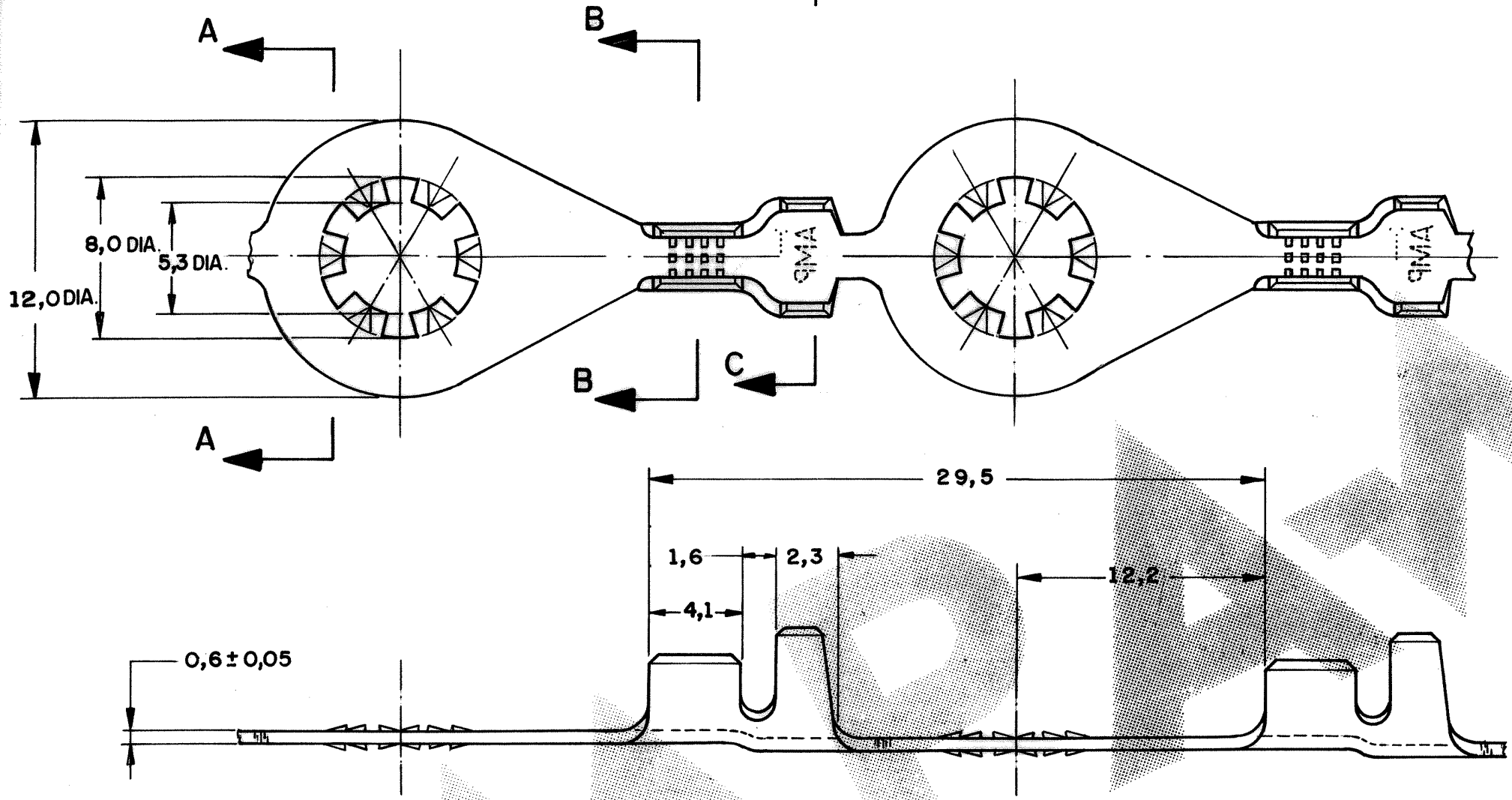
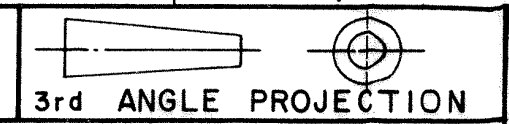


C444026 1 of 1

DO NOT SCALE  
DIMENSIONS IN

**METRIC**



	ESTANHADO	BRONZE FOSF.	- 4
	— / —	BRONZE FOSF.	- 3
	ESTANHADO	LATÃO	- 2
	— / —	LATÃO	4 4 4 0 2 6 - 1
OTHER TREATMENT	FINISH	MATERIAL	PART NUMBER
CUSTOMER DWG for REFERENCE ONLY		THIS DRAWING IS UNPUBLISHED. RELEASED FOR PUBLICATION 19	
		© COPYRIGHT 19 BY AMP DO BRASIL LTDA S.P. ALL INTERNATIONAL RIGHTS RESERVED. AMP PRODUCTS MAY BE COVERED BY U.S. AND FOREIGN PATENTS AND/OR PATENTS PENDING.	
		TOLERANCES UNLESS OTHERWISE STATED	INS. DIA. RANGE WIRE RANGE 2 SCALE
		DEC. $\pm 0,3$	2,1 - 2,9 >1,0 - 2,5mm / —
		ANGLES $\pm 1^\circ$	
		DR. 26-02-92	<b>AMP</b> AMP do BRASIL LTDA. São Paulo, Brasil
		DOURIVAL ALVES ROCHA	
		CHK. <i>J.R. Felício</i> 28/2/92	DESCRIPTION
		DE. <i>J. S. S. S.</i> 28/2/92	RING TONGUE (ANTIROTACIONAL)
REV. BY	ERA P91-29230	DORI. <i>J.S.S.</i> 260292	APP. <i>J.S.S.</i> 04/03/92
ISS	REVISION RECORD	DR	CHK DATE
A3		DWG NO C444026	
		SHEET 1 OF 1	