

100/1000 Base T Gigabit Single Port LAN Filter Module

AGSC-24011

- Ethernet based LAN, WAN and other networking applications
- LL: 0.5μH Max @ 100KHz, 200mV
- DCR: 1.4Ω Max
- Cw/w: 25PF TYP @ 100KHz, 200mV
- Operating Temp: -40°C to +85°C



Electrical Specifications @ 25°C

OCL(μH Min) @ 100KHz, 200mV With 8mA DC Bias	Turns Ratio (±5%)	Insertion Loss (dB Max) 1-100MHz	Return Loss (dB Min)				
			1-30MHz	40MHz	50MHz	60-80MHz	100MHz
350	1CT: 1CT	-1.0 Max	-18	-14.4	-13.1	-12	-10

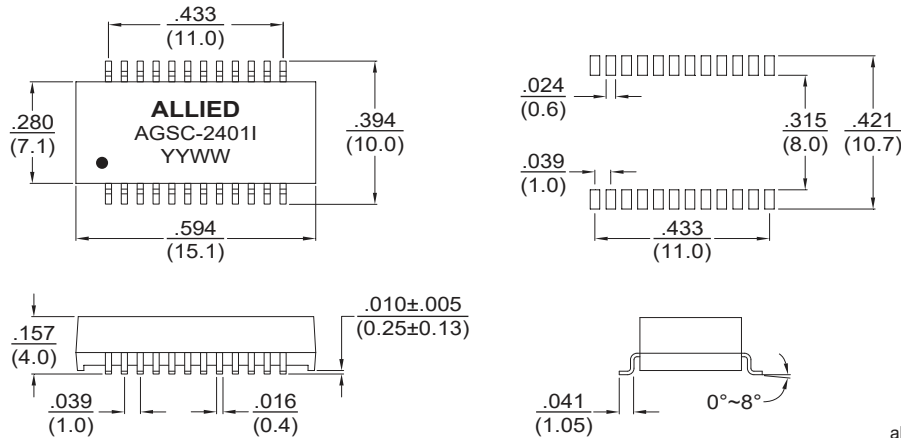
Electrical Specifications @ 25°C

Common Mode Rejection (dB Min)			Cross Talk (dB Min)			Isolation Hi-Pot (Vrms)
30MHz	60MHz	100MHz	30MHz	60MHz	100MHz	
-40	-35	-30	-45	-40	-35	1500

All specifications subject to change without notice.

MECHANICAL

Dimensions: $\frac{\text{inch}}{\text{mm}}$



Unless otherwise specified, all tolerances are ±.010 (0.25)

SCHEMATICS

