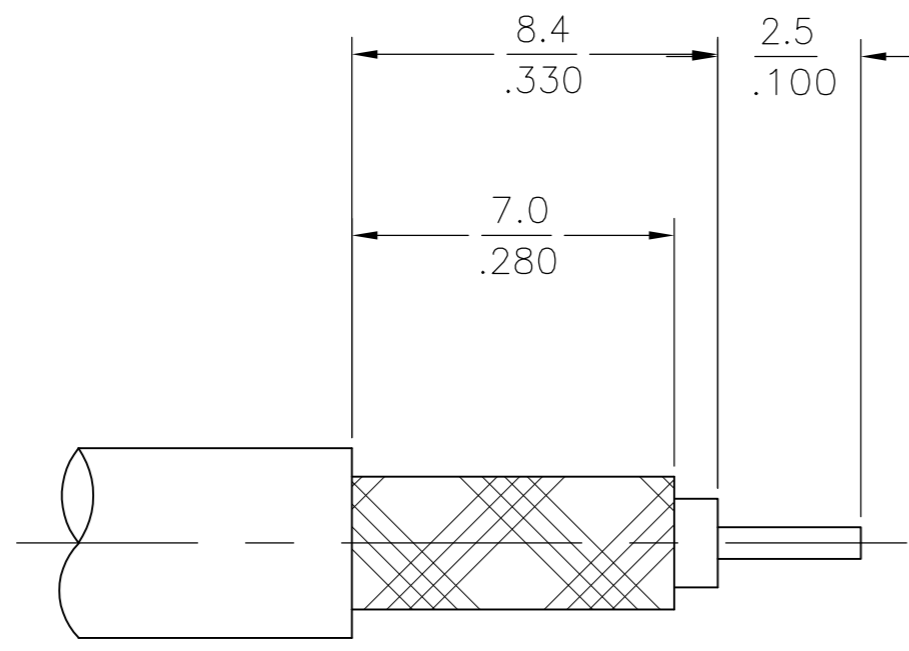
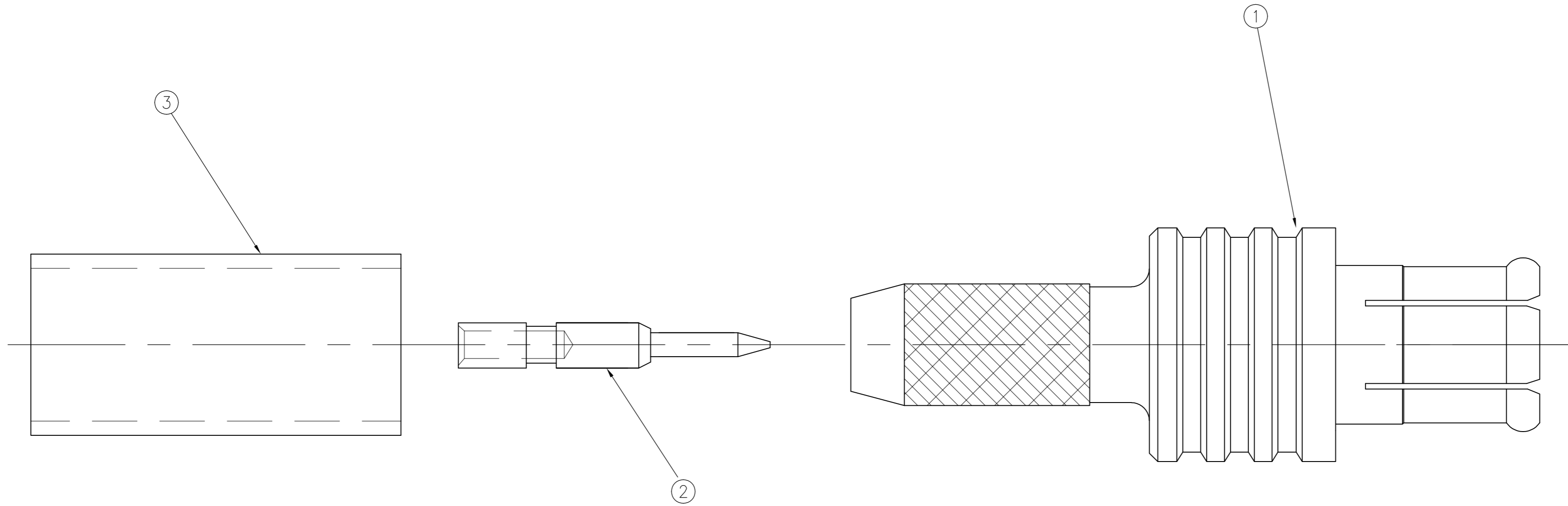


THIS DRAWING IS UNPUBLISHED. RELEASED FOR PUBLICATION  
 © COPYRIGHT BY TYCO ELECTRONICS CORPORATION. ALL RIGHTS RESERVED.

LOC	DIST	REVISIONS					
AJ	16	P	LTR	DESCRIPTION	DATE	DWN	APVD
		E		REV PER ECO 08-007172	26MAR2008	DW	JL



RECOMMENDED STRIP LENGTH

1. FOR USE WITH RG-174/U, RG-188/U & RG-316/U CABLE.

3-413889-1	1408060-2	1408063-1	1060871-1
③ FERRULE QTY=1	② CONTACT QTY=1	① PLUG ASSEMBLY QTY=1	PART NUMBER

THIS DRAWING IS A CONTROLLED DOCUMENT.		DWN R.M.F. 07-21-00	Tyco Electronics Corporation Harrisburg, PA 17105-3608	
DIMENSIONS: mm [INCHES]		CHK -	NAME	
TOLERANCES UNLESS OTHERWISE SPECIFIED:		APVD R.M.F. 09-18-00	MCX CABLE PLUG, CRIMP ATTACHMENT, GOLD PLATED (5831-5003-09)	
0 PLC ± -		PRODUCT SPEC -	SIZE A2	CAGE CODE 00779
1 PLC ± -		APPLICATION SPEC 408-10131	DRAWING NO C=1060871	RESTRICTED TO -
2 PLC ± -		WEIGHT -	SCALE 10:1	SHEET 1 of 1
3 PLC ± .005		CUSTOMER DRAWING	REV E	
4 PLC ± -				
ANGLES ± 1°				
FINISH -				