

“Stay Connected” with



Strain Relief Bushings

a PennEngineering® Company

Heyco® Snap-In Cordgrip Strain Reliefs – Straight-Thru and Pigtail™

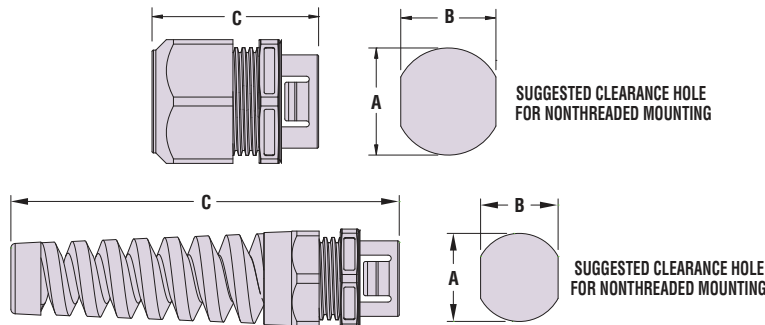
The Ultimate in Snap-In Strain Relief Protection

For Panels from .062" (1,6 mm) to .125" (3,2 mm) Thick



| WILL FIT THESE CABLES | | | | PART NO. | | DESCRIPTION | UL or RA | PANEL DIMENSIONS | | | | | | Mounting Hole Plug Part No. |
|-----------------------|------|------------------|------|----------|-------|-------------|----------|------------------|------|-----------------------|------|-------------------|------|-----------------------------|
| Minimum Diameter | | Maximum Diameter | | Black | Gray | | | A Mounting Hole | | B To Prevent Rotation | | C Max O.A. Length | | |
| in. | mm. | in. | mm. | | | | in. | mm. | in. | mm. | in. | mm. | | |
| Straight-Thru | | | | | | | | | | | | | | |
| .210 | 5,3 | .210 | 5,3 | M4802 | M4803 | RSCG 500 | RA | .500 | 12,7 | .450 | 11,4 | 1.21 | 30,7 | 2491 |
| .240 | 6,1 | .250 | 6,4 | M4800 | M4801 | SCG 500 | | | | | | | | |
| .210 | 5,3 | .230 | 5,8 | M4808 | M4809 | RSCG 625 | RA | .625 | 15,9 | .550 | 14,0 | 1.30 | 33,0 | 2497 |
| .210 | 5,3 | .315 | 8,0 | M4806 | M4807 | SCG 625 | | | | | | | | |
| .230 | 5,8 | .260 | 6,6 | M4814 | M4815 | RSCG 750 | RA | .750 | 19,1 | .660 | 16,8 | 1.48 | 37,6 | 2503 |
| .230 | 5,8 | .400 | 10,2 | M4812 | M4813 | SCG 750 | | | | | | | | |
| .255 | 6,5 | .290 | 7,4 | M4820 | M4821 | RSCG 875 | RA | .875 | 22,2 | .770 | 19,6 | 1.46 | 37,1 | 2509 |
| .250 | 6,4 | .450 | 11,4 | M4818 | M4819 | SCG 875 | | | | | | | | |
| .300 | 7,6 | .400 | 10,2 | M4826 | M4827 | RSCG 1000 | RA | 1.000 | 25,4 | .875 | 22,2 | 1.62 | 41,1 | 2713* |
| .350 | 8,9 | .545 | 13,8 | M4824 | M4825 | SCG 1000 | | | | | | | | |
| .385 | 9,8 | .490 | 12,4 | M4832 | M4833 | RSCG 1093 | RA | 1.093 | 27,8 | .970 | 24,6 | 1.75 | 44,5 | 2723* |
| .435 | 11,0 | .705 | 17,9 | M4830 | M4831 | SCG 1093 | | | | | | | | |
| .385 | 9,8 | .490 | 12,4 | M4838 | M4839 | RSCG 1125 | UL | 1.125 | 28,6 | 1.000 | 25,4 | 1.75 | 44,5 | 2717 |
| .435 | 11,0 | .705 | 17,9 | M4836 | M4837 | SCG 1125 | | | | | | | | |
| .490 | 12,4 | .785 | 19,9 | M4844 | M4845 | RSCG 1250 | UL | 1.250 | 31,8 | 1.125 | 28,6 | 2.05 | 52,1 | 2740* |
| .590 | 15,0 | 1.000 | 25,4 | M4842 | M4843 | SCG 1250 | | | | | | | | |
| .490 | 12,4 | .785 | 19,9 | M4850 | M4851 | RSCG 1375 | RA | 1.375 | 34,9 | 1.250 | 31,8 | 2.05 | 52,1 | 2753* |
| .590 | 15,0 | 1.000 | 25,4 | M4848 | M4849 | SCG 1375 | | | | | | | | |
| .787 | 20,0 | 1.020 | 25,9 | M4856 | M4857 | RSCG 1500 | RA | 1.500 | 38,1 | 1.375 | 34,9 | 2.28 | 57,9 | 2763* |
| .875 | 22,2 | 1.180 | 30,0 | M4854 | M4855 | SCG 1500 | | | | | | | | |
| .787 | 20,0 | 1.020 | 25,9 | M4862 | M4863 | RSCG 1750 | RA | 1.750 | 44,5 | 1.625 | 41,3 | 2.28 | 57,9 | 2773* |
| .875 | 22,2 | 1.260 | 32,0 | M4860 | M4861 | SCG 1750 | | | | | | | | |
| 1.000 | 25,4 | 1.240 | 31,5 | M4868 | M4869 | RSCG 2000 | RA | 2.000 | 50,8 | 1.875 | 47,6 | 2.41 | 61,2 | 2959 |
| 1.230 | 31,2 | 1.560 | 39,6 | M4866 | M4867 | SCG 2000 | | | | | | | | |
| 1.160 | 29,5 | 1.350 | 34,3 | M4874 | M4875 | RSCG 2375 | RA | 2.375 | 60,3 | 2.250 | 57,2 | 2.50 | 63,5 | Consult Heyco |
| 1.450 | 36,8 | 1.560 | 39,6 | M4872 | M4873 | SCG 2375 | | | | | | | | |
| Pigtail | | | | | | | | | | | | | | |
| .210 | 5,3 | .210 | 5,3 | M4902 | – | RSCG 500-7 | RA | .500 | 12,7 | .450 | 11,4 | 2.50 | 63,5 | 2491 |
| .240 | 6,1 | .250 | 6,4 | M4900 | – | SCG 500-7 | | | | | | | | |
| .210 | 5,3 | .230 | 5,8 | M4908 | – | RSCG 625-7 | RA | .625 | 15,9 | .550 | 14,0 | 2.83 | 71,9 | 2497 |
| .210 | 5,3 | .315 | 8,0 | M4906 | – | SCG 625-7 | | | | | | | | |

Standard color black. *For Round Mounting Hole only. For DD Mounting Hole Plug, consult Heyco.



- Unique fingers securely lock into a range of panel sizes without use of locknut.
- Pigtail: Integral nylon spring eases the cable into a lazy bend; prevents kinking and assures longest cable and product life.
- Smooth, rounded interior edges for ease of installation.
- Limited intrusion into enclosure where access is tight.
- Rotation prevented when used in Double D mounting holes.
- Easy to install—no tools required.
- Ratchet design of sealing nut assembly provides superior anti-vibration and ensures a firm grip on the cable.
- Available in multiple sizes for cable diameters ranging from .210" (5,3 mm) to 1.560" (39,6 mm).
- We recommend using the fitting with the smallest maximum diameter that will fit your application.
- Meet UL strain relief requirements without kinking the cable.
- For Foam Washers, see page 2-20.
- Though similar in appearance and function to Heyco-Tite Liquid Tight Cordgrips, Snap-in Cordgrip Strain Reliefs may not be liquid tight at the panel interface. For our complete range of **Liquid Tight** Cordgrips with Integral Sealing Ring, see Section 3.
- Use Heyco **Mounting Hole Plugs** for DD Mounting Holes, or **Heyco Dome Plugs** for round Mounting Holes, to fill blank/unused Mounting Holes and thus allow for a single panel design across multiple applications. See section 6.
- For Double D Mounting Hole Punches, see page 4-30.

| | |
|---------------------|--|
| Material | Nylon 6/6 w/Buna N Sealing Gland |
| Certifications | Recognized under Underwriters' Laboratories File E51579 Certified by Canadian Standards Association File 093876 |
| Flammability Rating | 94V-2 |
| Temperature Range | -.04°F (-18°C) to 221°F (105°C) |

Quick Specs