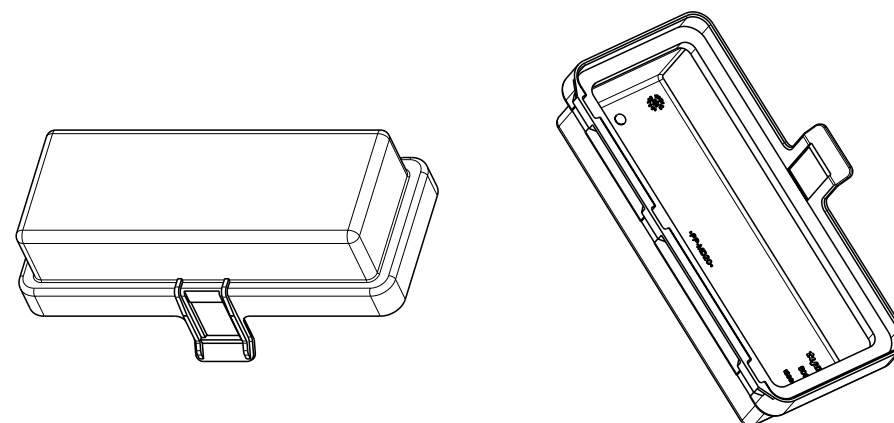
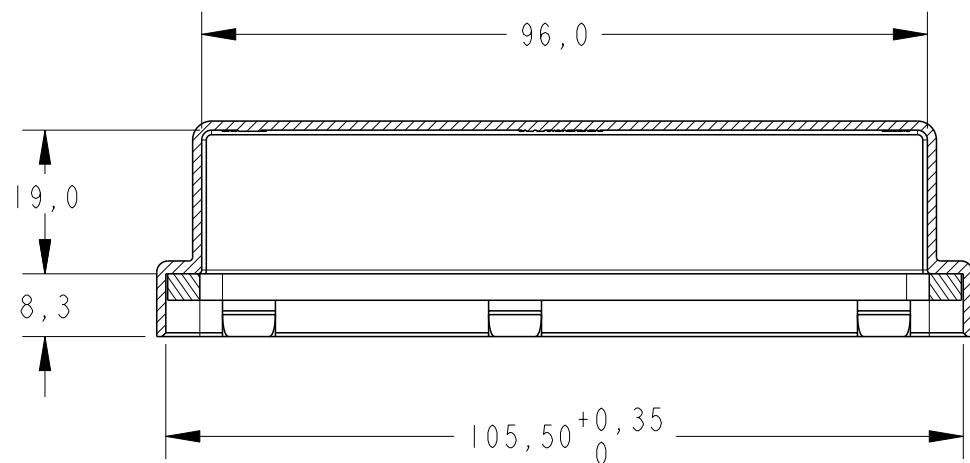
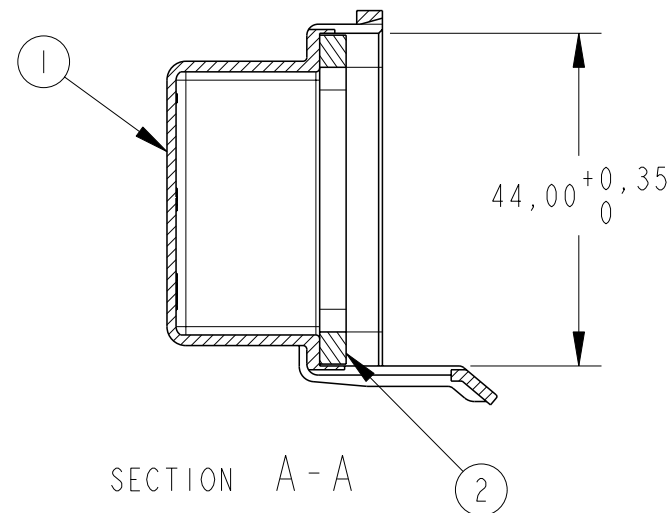
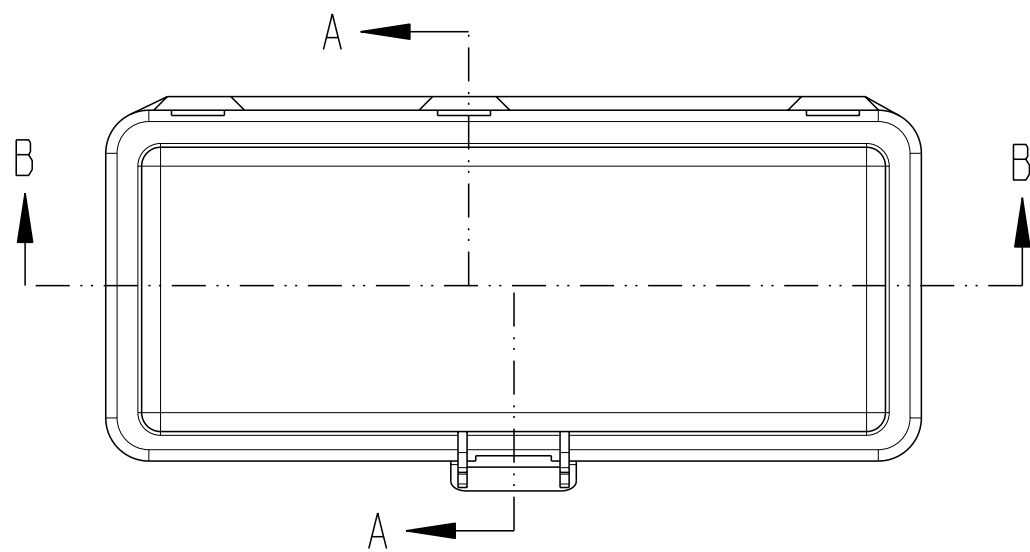


LOC  
AP

DIST  
-

REVISIONS

P	LTR	DESCRIPTION	DATE	DWN	APVD
	A	RELEASED BY RSA 12/090-01	21SEP2012	PP	MLO



PERSPECTIVE VIEW  
SCALE 1:2

GRAVAÇÕES MARKINGS
LOGOTIPO TE TE LOGO
CÓDIGO PAÍS PRODUTOR MANUFACTURER COUNTRY CODE
NOMENCLATURA MATERIAL MATERIAL NOMENCLATURE
NÚMERO COMPONENTE TE TE COMPONENT NUMBER
NÚMERO CAVIDADE CAVITY NUMBER
CÓDIGO DATADOR MÊS/ANO DATE CODE MONTH/YEAR
PAÍS PRODUTOR MANUFACTURER COUNTRY
REV+ LETRA REV.DA PEÇA REV.+ PART REV.LETTER

REQ. PER ASSY	ITEM	DESCRIPTION	MATERIAL	FINISH
	1	PERIPHERAL SEAL	EPDM	PRETO/BLACK
	1	COVER, RELAY BOX, 3 POSITION	PP+20%MD	PRETO/BLACK
	-2			
1599746				

THIS DRAWING IS A CONTROLLED DOCUMENT.		DWN P. PULGROSSI 21SEP2012	<b>STE</b> TE Connectivity	
DIMENSIONS: mm		CHK J. R. GOLDSCHMIDT 21SEP2012		
TOLERANCES UNLESS OTHERWISE SPECIFIED:		APVD M. I. OGAWA 21SEP2012	NAME COVER, RELAY BOX, 3 POSITION ASSEMBLY	
0 PLC ±-		PRODUCT SPEC	-	
1 PLC ±0,3		APPLICATION SPEC	N/A	
2 PLC ±-		WEIGHT	-	
3 PLC ±-		SIZE	A3	
4 PLC ±-		CAGE CODE	00779	
ANGLES ±-		DRAWING NO	C-1599746	
FINISH		RESTRICTED TO	-	
MATERIAL SEE TABLE	FINISH SEE TABLE	CUSTOMER DRAWING	SCALE	SHEET OF REV A