

T2110052101-000 ✓ ACTIVE

HDC | HDC HMN

TE Internal #: T2110052101-000

Rectangular Contact Inserts, Contact Insert, Pin, 5 Pole

Configuration, Spring Terminal, 5 Position, 14 – 20 AWG Wire Size,

HDC HMN

[View on TE.com >](#)



Connectors > Rectangular Connectors > Rectangular Contact Inserts



Rectangular Connector Insert Type: **Contact Insert**

Contact Type: **Pin**

Pole Configuration: **5**

Termination Method to Wire & Cable: **Spring Terminal**

Number of Positions: **5**

Features

Product Type Features

Rectangular Connector Insert Type	Contact Insert
Sealable	No

Configuration Features

Number of Positions	5
---------------------	---

Contact Features

Contact Type	Pin
Pole Configuration	5
Contact Current Rating (Max)	16 A

Termination Features

Termination Method to Wire & Cable	Spring Terminal
------------------------------------	-----------------

Dimensions

Wire Size	.5 – 2.5 mm ²
-----------	--------------------------

Operation/Application

Circuit Application	Power & Signal
---------------------	----------------

Product Compliance

[For compliance documentation, visit the product page on TE.com>](#)

EU RoHS Directive 2011/65/EU	Compliant
EU ELV Directive 2000/53/EC	Compliant
China RoHS 2 Directive MIIT Order No 32, 2016	No Restricted Materials Above Threshold
EU REACH Regulation (EC) No. 1907/2006	Current ECHA Candidate List: JUNE 2023 (235) Candidate List Declared Against: JAN 2022 (223) Does not contain REACH SVHC
Halogen Content	Low Bromine/Chlorine - Br and Cl < 900 ppm per homogenous material. Also BFR /CFR/PVC Free
Solder Process Capability	Not reviewed for solder process capability

Product Compliance Disclaimer

This information is provided based on reasonable inquiry of our suppliers and represents our current actual knowledge based on the information they provided. This information is subject to change. The part numbers that TE has identified as EU RoHS compliant have a maximum concentration of 0.1% by weight in homogenous materials for lead, hexavalent chromium, mercury, PBB, PBDE, DBP, BBP, DEHP, DIBP, and 0.01% for cadmium, or qualify for an exemption to these limits as defined in the Annexes of Directive 2011/65/EU (RoHS2). Finished electrical and electronic equipment products will be CE marked as required by Directive 2011/65/EU. Components may not be CE marked. Additionally, the part numbers that TE has identified as EU ELV compliant have a maximum concentration of 0.1% by weight in homogenous materials for lead, hexavalent chromium, and mercury, and 0.01% for cadmium, or qualify for an exemption to these limits as defined in the Annexes of Directive 2000/53/EC (ELV). Regarding the REACH Regulation, the information TE provides on SVHC in articles for this part number is based on the latest European Chemicals Agency (ECHA) 'Guidance on requirements for substances in articles' posted at this URL: <https://echa.europa.eu/guidance-documents/guidance-on-reach>

Compatible Parts



Also in the Series | **HDC HMN**



Connector Contacts(2)



Insertion & Extraction Tools(1)



Rectangular Connector Hardware(16)



Rectangular Contact Inserts(119)

Customers Also Bought



TE Part #T1310480132-000
H48B-TS-RO-M32



TE Part #T1440101120-000
H10B-SGRS-M20



TE Part #T1610482140-000
H48B-SGR-LB-M40



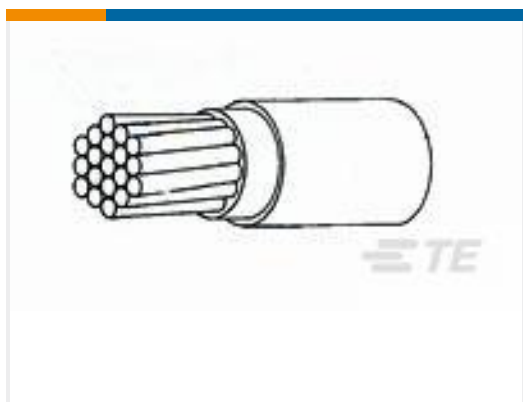
TE Part #T2580032154-000
PIN-Q2-F



TE Part #T1620480132-000
H48B-SDR-LB-M32



TE Part #CT72153001
44/7031-22-9CK0001



TE Part #CT82453001
44/7031-18-0CK0001



TE Part #T1210244132-000
H24B-TS-M32



TE Part #T2111082001-T00
HMN-008-M

Documents

Product Drawings

[HMN-005-MS](#)

English

CAD Files

[3D PDF](#)

3D

Customer View Model

[ENG_CVM_CVM_T2110052101-000_B.2d_dxf.zip](#)



English

Customer View Model

[ENG_CVM_CVM_T2110052101-000_B.3d_igs.zip](#)

English

Customer View Model

[ENG_CVM_CVM_T2110052101-000_B.3d_stp.zip](#)

English

By downloading the CAD file I accept and agree to the [Terms and Conditions](#) of use.

Datasheets & Catalog Pages

Heavy Duty Connectors

English

HEAVY DUTY CONNECTORS

English

Product Specifications

Application Specification

English