

THIS DRAWING IS UNPUBLISHED.

RELEASED FOR PUBLICATION

ALL RIGHTS RESERVED.

© COPYRIGHT - By -

LOC
AF

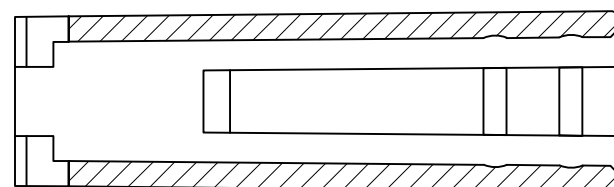
DIST
50

REVISIONS

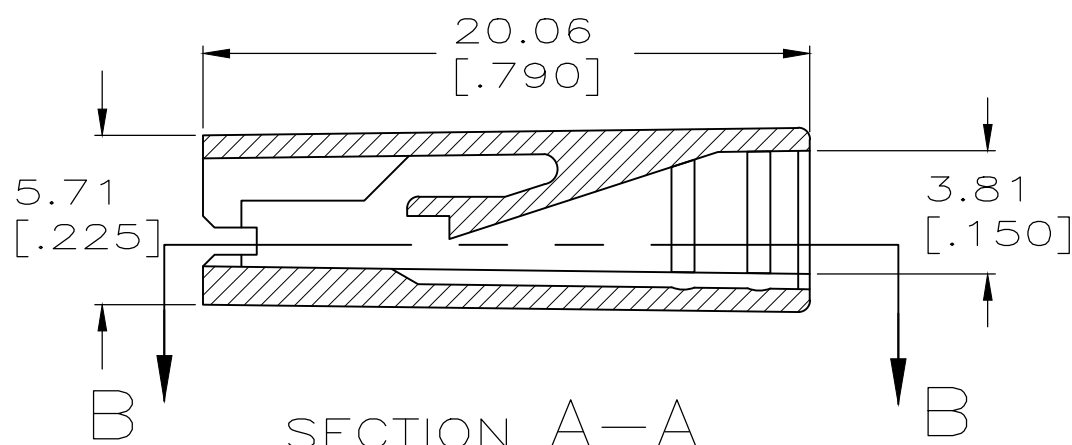
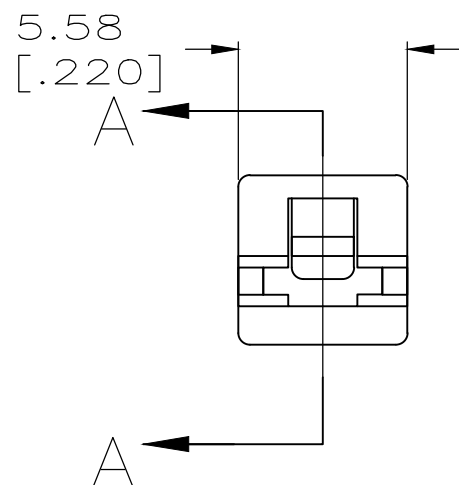
P	LTR	DESCRIPTION	DATE	DWN	APVD
	L3	REVISED PER ECR-19-018559	13DEC2019	BDA	DH

△1 POLYAMIDE UL94, V2, ACCORDING TO IEC 60335-1 GLOW IWRE.

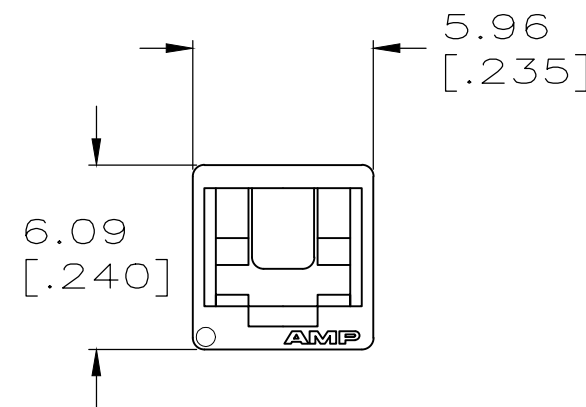
△2 PRELIMINARY - NOT FOR PRODUCTION



SECTION B-B



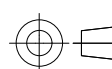
SECTION A-A



NATURAL	△1 NYLON, V2	△2 1-480417-3
NATURAL	NYLON, V0	△2 1-480417-2
BLACK	NYLON, V2	1-480417-1
NATURAL	NYLON, V2	1-480417-0
COLOR	MATERIAL	PART NO.

THIS DRAWING IS A CONTROLLED DOCUMENT.

DIMENSIONS:
mm [INCHES]



TOLERANCES UNLESS OTHERWISE SPECIFIED:

0 PLC	± -
1 PLC	± -
2 PLC	± -
3 PLC	± 0.38 [.015]
4 PLC	± -
ANGLES	± -

MATERIAL

SEE TABLE

FINISH

SEE TABLE

DWN 2/8/91

CHK 2/8/91

APVD 2/8/91

PRODUCT SPEC

APPLICATION SPEC

WEIGHT -

CUSTOMER DRAWING

SCALE 4:1

SHEET 1 OF 1

REV L3

STE TE Connectivity

HOUSING, RECEPTACLE,
FASTON, .110 SERIES

SIZE	CAGE CODE	DRAWING NO	RESTRICTED TO
A3	00779	C-480417	-