

**Hand Crimp Tool
Insulkrimp™**

**Application Tooling
Specification Sheet**

**Order No. 64001-0200
Engineering No. RHT 1991**

FEATURES

- A full cycle ratcheting hand tool ensures complete crimps
- Long handles for comfortable crimping with reduced crimping force
- A precision user-friendly terminal locator wire stop holds terminals in the proper crimping position for each of the three nests
- Insulation crimp adjustment allows a precise insulation crimp. To meet or exceed the requirements of UL, CSA and Military Class II
- 3-nested tool eliminates the need for additional tools

SCOPE

Products: Insulkrimp™ Quick Disconnect 10 - 22 AWG.

Testing

Mechanical

The tensile test, or pull test, is a means of evaluating the mechanical properties of the crimped connections. The following charts show the UL specifications for various wire sizes. The tensile strength is shown in pounds. It indicates the minimum acceptable force to break or separate the terminal from the conductor.

Wire Size (AWG)	*UL - 310
22	8
20	13
18	20
16	30
14	50
12	70
10	80

*UL – 310 – Quick Disconnects

The following is a partial list of the product part numbers and their specifications that this tool is designed to run. We will be adding to this list and an up to date copy is available on www.molex.com

Wire Size: 14 – 16 AWG 2.00 – 1.30mm ²					
Terminal No.	Terminal Eng No. (REF)	Wire Strip Length		Insulation Diameter Maximum	
		In.	mm	In.	mm
19017-0023	BB-2132	.312	7.94	.145	3.70
19017-0028	BB-2135	.312	7.94	.145	3.70
19017-0031	BB-2138	.312	7.94	.145	3.70
19017-0032	BB-2138-032	.312	7.94	.145	3.70
19017-0037	BB-2141	.312	7.94	.145	3.70
19017-0043	BB-2191	.312	7.94	.145	3.70
19017-0044	BB-2191-032	.312	7.94	.145	3.70
19019-0022	BB-8132	.312	7.94	.138	3.50
19019-0025	BB-8135	.312	7.94	.138	3.50
19019-0027	BB-8138	.312	7.94	.138	3.50
19019-0028	BB-8138-032	.312	7.94	.138	3.50
19019-0034	BB-8191	.312	7.94	.138	3.50

Wire Size: 14 – 16 AWG 2.00 – 1.30mm ²					
Terminal No.	Terminal Eng No. (REF)	Wire Strip Length		Insulation Diameter Maximum	
		In.	mm	In.	mm
19019-0035	BB-8191-032	.312	7.94	.138	3.50
19019-0061	BB-8135-BK	.312	7.94	.138	3.51
19019-0031	BB-8141	.312	7.94	.138	3.51
19274-0005	BB-2141-LIF	.312	7.94	.145	3.70
19275-0005	BB-8141-LIF	.312	7.94	.138	3.51

Wire Size: 18 – 22 AWG 0.80 – 0.35mm ²					
Terminal No.	Terminal Eng No. (REF)	Wire Strip Length		Insulation Diameter Maximum	
		In.	mm	In.	mm
19017-0001	AA-2131	.375	9.53	.120	3.05
19017-0005	AA-2134	.312	7.94	.135	3.40
19017-0007	AA-2137	.312	7.94	.135	3.40
19017-0008	AA-2137-032	.312	7.94	.135	3.40
19017-0014	AA-2140	.312	7.94	.135	3.40
19017-0018	AA-2190	.312	7.94	.135	3.40
19017-0019	AA-2190-032	.312	7.94	.135	3.40
19019-0001	AA-8131	.343	8.73	.140	3.56
19019-0004	AA-8134	.250	6.35	.115	2.90
19019-0006	AA-8137	.250	6.35	.115	2.90
19019-0008	AA-8137-032	.250	6.35	.115	2.90
19019-0012	AA-8140	.250	6.35	.115	2.90
19019-0014	AA-8190	.250	6.35	.115	2.90
19019-0015	AA-8190-032	.250	6.35	.115	2.90
19019-0118	AA-8134-BK	.250	6.35	.115	2.90

Wire Size: 18 – 22 AWG 0.80 – 0.35mm ²					
Terminal No.	Terminal Eng No. (REF)	Wire Strip Length		Insulation Diameter Maximum	
		In.	mm	In.	mm
19274-0002	AA-2140-LIF	.312	7.94	.135	3.40
19275-0002	AA-8140-LIF	.250	6.35	.115	2.90

Wire Size: 10 – 12 AWG 5.00 – 3.30mm ²					
Terminal No.	Terminal Eng No. (REF)	Wire Strip Length		Insulation Diameter Maximum	
		In.	mm	In.	mm
19002-0044	C-5265	.312	7.94	.245	6.22
19017-0047	C-2143	.375	9.53	.250	6.40
19019-0037	C-8143	.375	9.53	.225	5.70
19025-0005	CMCT-5	.375	9.53	.225	5.70
19606-0005	19606-0005	.375	9.53	.230	5.85
19277-0008	C-5293-LIF	.375	9.53	.230	5.85

OPERATION

Open the tool by first closing the jaws sufficiently for the ratchet mechanism to release.

Crimping Terminals

1. There are 3 Tab Locator Blades supplied with the tool. One is for .187 and .250 Tabs; one is for .205 Tabs and .110 Tabs and a third is for LIF connectors. Make sure the proper blade is installed on the top of the locator and the other is stored on the bottom of the locator.
2. Push the terminal onto the Tab Locator all the way to the stop in the proper color-coded nest. The Barrel of the terminal should be up. See Figure 1.
3. Partially close the tool to hold the terminal in place. See Figure 2.

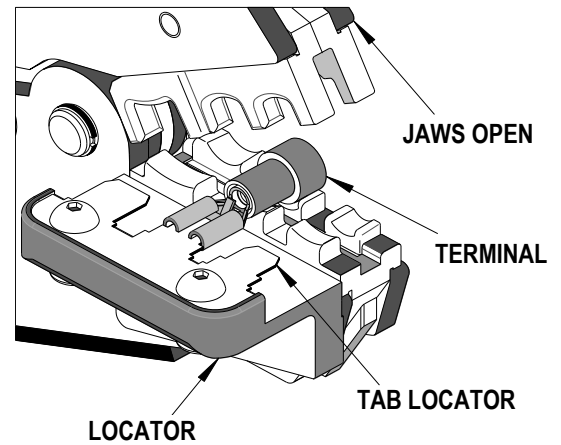


Figure 1

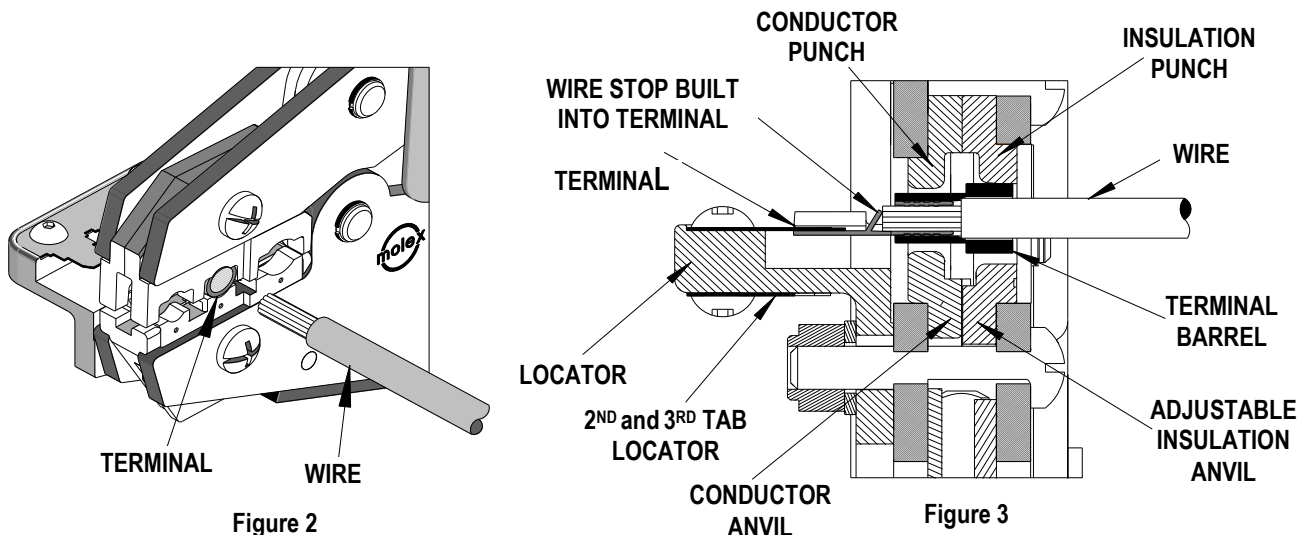


Figure 2

Figure 3

4. Insert the properly stripped wire into the terminal barrel. See Figure 2 and 3. The wires end should butt against the wire stop stamped into each terminal. Cycle the tool.

Note: The tamper proof ratchet action will not release the tool until it has been fully closed.

5. Remove the crimp and inspect for proper crimp location, and check for insulation closure. Molex offers a Crimp Inspection Handbook for closed barrel industrial product. See our website or contact your sales engineer.
6. If the insulation part of the crimp needs to be adjusted, first loosen the M4 screw on the bottom tool jaw, then insert a 3/32 hex wrench (supplied) into the bottom of the lower die. See Figure 4. A clockwise rotation decreases insulation crimp while a counter-clockwise rotation increases insulation crimp. After adjusting retighten the M4 screw.

Note: Whenever crimping without the locator, make sure the seam of the terminal is oriented up or down in the tool if using unbrazed product, as this will provide higher pull force values.

Maintenance

It is recommended that each operator of the tool be made aware of, and responsible for, the following maintenance steps.

1. Remove dust, moisture and other contaminants with a clean brush, or soft, lint-free cloth.
2. Do not use any abrasive materials that could damage the tool.
3. Make certain all pins; pivot points and bearing surfaces are protected with a thin coat of high quality machine oil. Do not oil excessively. This tool was engineered for durability, but like any fine piece of equipment it needs cleaning and lubrication for a maximum service life of trouble-free crimping. A light oil, such as 30 weight automotive oil used at the oil points shown in Figure 4, every 5,000 crimps or 3 months will significantly enhance the tool life and ensure a stable calibration.
4. When tool is not in use, keep the handles closed to prevent objects from becoming lodged in the crimping dies, and store the tool in a clean, dry area.

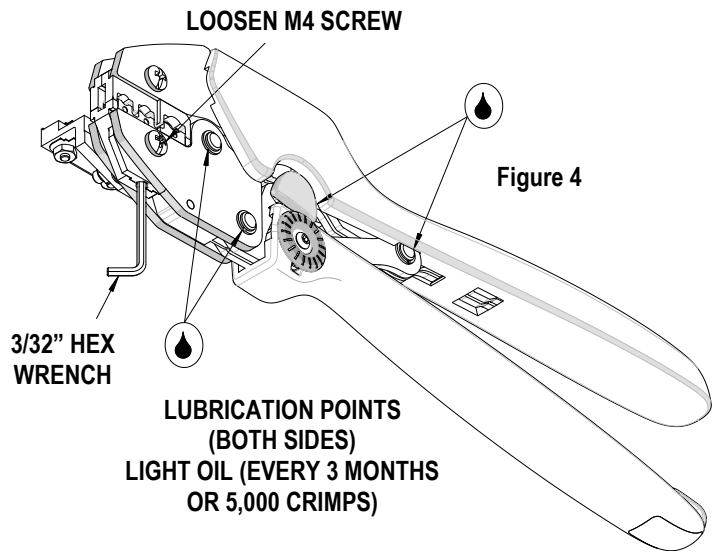


Figure 4

LUBRICATION POINTS
(BOTH SIDES)
LIGHT OIL (EVERY 3 MONTHS
OR 5,000 CRIMPS)

Miscrimps or Jams

Should this tool ever become stuck or jammed in a partially closed position, **Do Not force the handles open or closed.** The tool will open easily by pressing the ratchet release lever. See Figure 5.

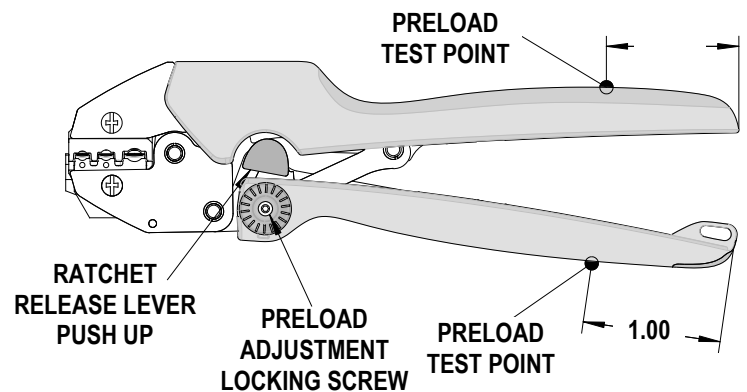


Figure 5

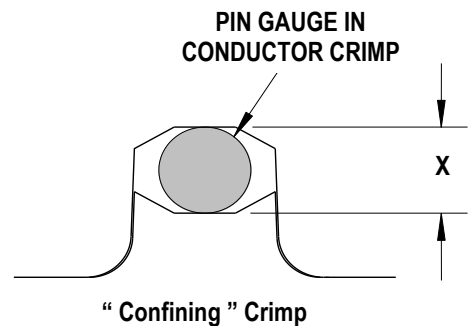
How to Adjust Tool Preload (See Fig. 5)

Over the life of the tool, it may be necessary to adjust tool handle preload force. Listed below are the steps required to adjust the crimping force of the hand tool to obtain proper crimp conditions:

1. Remove the screw and plastic cover washer. Note the setting wheel position.
2. Lift the setting wheel off the axle. Turn the eccentric axle with a screwdriver.
3. Turning the eccentric axle counter-clockwise will increase handle force.
4. Replace the setting wheel to the axle, aligning the nearest notch in the setting wheel to the dowel pin.
5. Replace the plastic cover washer and screw.
6. Check the crimp specifications after tool crimp force is adjusted.

Tool Calibration

A Certificate of Calibration (see last page) was supplied with the tool. To recalibrate this tool, pin gauge measurements should be taken in each conductor nest and compared to this chart. The tool should be lubricated prior to recalibration to ensure consistent measurements. Handle preload is factory set to 25-45 LBS. See How to Adjust Tool Preload, see Figure 5 to recalibrate.



Nest Color Code	Wire Range		“X” Dimension Conductor Crimp			Crimp Inspection Marking
	AWG	mm ²	Mean	Go	No Go	
Red	18 - 22	0.35 - 0.80	.069	.066	.072	oo
Blue	14 - 16	1.30 - 2.00	.092	.089	.095	o
Yellow	10 - 12	3.30 - 5.00	.100	.097	.103	oo

Warranty

This tool is for electrical terminal crimping purposes only. This tool is made of the best quality materials. All vital components are long-life tested. All tools are warranted to be free of manufacturing defects for a period of 30 days. Should such a defect occur, we will repair or exchange the tool free of charge. This repair or exchange will not be applicable to altered, misused, or damaged tools. This tool is designed for hand use only. Any clamping, fixturing, or use of handle extensions voids this warranty.

Caution: Repetitive use of this tool should be avoided.

Hand held crimping tools are intended for low volume, prototyping, or repair requirements only.

CAUTION: Molex crimp specifications are valid only when used with Molex terminals, applicators and tooling.

PARTS LIST

Item	Order No	Description	Quantity
	64001-0200	Hand Crimp Tool	Figure 6
1	64000-0076	Repair Kit (Springs, Pins and E-Rings)	1
2	63810-0000	Handle	1
3	64001-0475	Locator Assembly	1
4	64001-0270	Tooling Kit	1
Tooling Kit Only			
5	64001-0214	Conductor Punch	1
6	64001-0212	Conductor Anvil	1
7	64001-0215	Insulation Punch	1
8	64001-0113	Insulation Anvil	1
9	N/A	4mm Diameter by 5.0mm Long Roll Pins	2**
10	N/A	#10-32 by 5/16" Long Cup Pt. Set Screw	1**

** Available from an Industrial supply company such as MSC (1-800-645-7270).

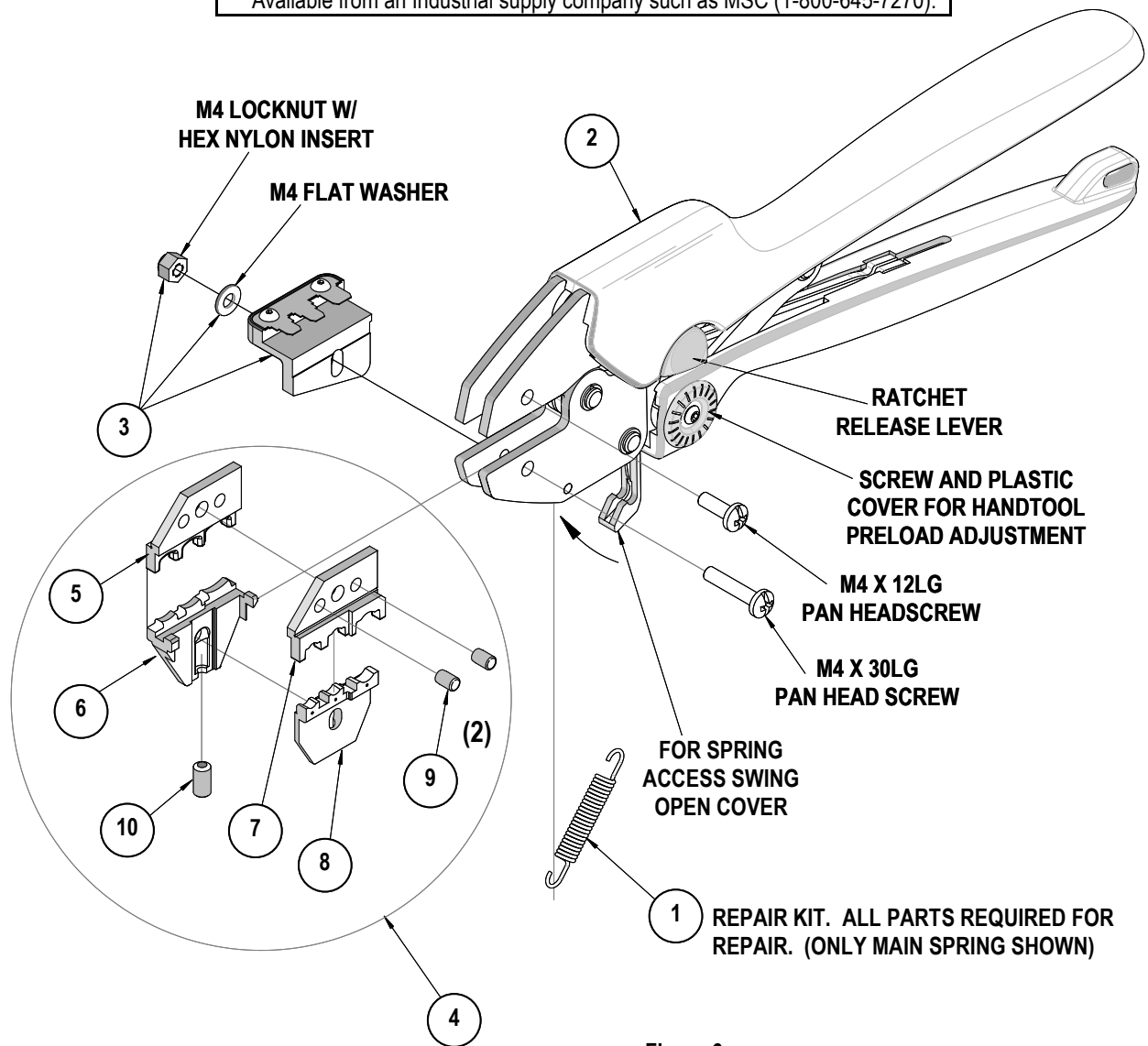
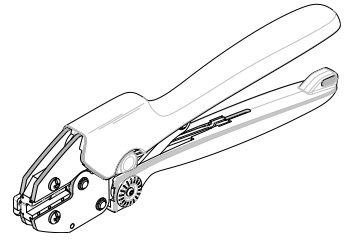


Figure 6



Hand Crimp Tool
Insulkrimp™

**Certificate of
Calibration**

**Order No. 64001-0200
Engineering No. RHT 1991**

Tool Order Number _____

Tool Eng. Number _____

Tool Revision _____

Serial Number _____

Date of Manufacture _____

Handle Load Range at 1 inch from the Tips = _____

Actual = _____

Pin Gauge of Conductor Nest/Nests or Slug height if the nest is the "F" Crimp style.

Range Conductor Nest # 1 = _____ -- Actual = _____

Range Conductor Nest # 2 = _____ -- Actual = _____

Range Conductor Nest # 3 = _____ -- Actual = _____

Technician _____

Date of Calibration _____

Calibration should be done every 5,000 cycles or 3 months.
Tools should be lubricated during this operation.

Visit our Web site at <http://www.molex.com>