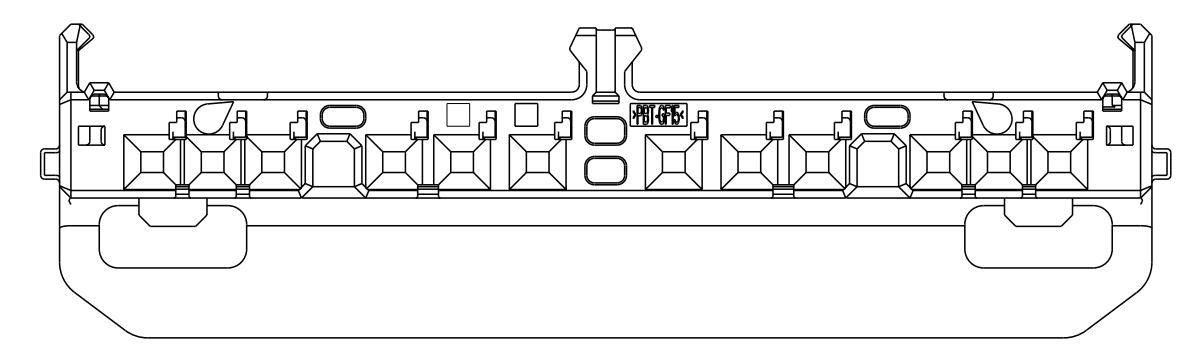
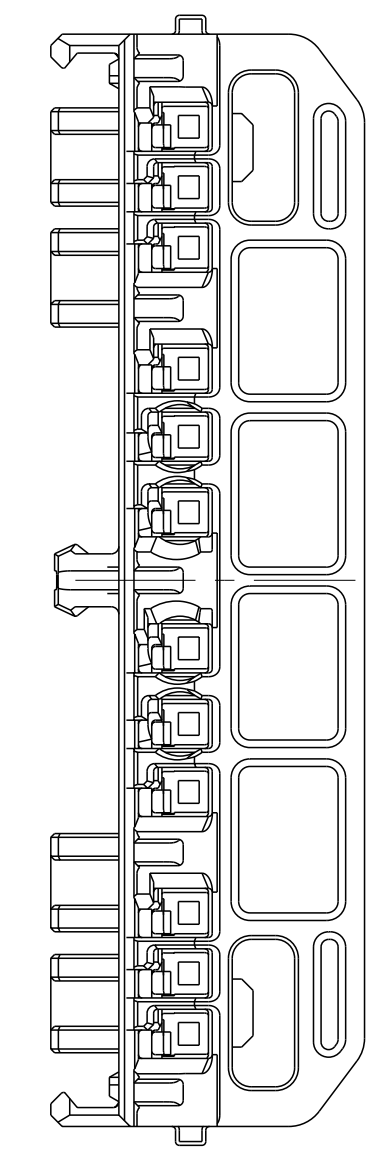
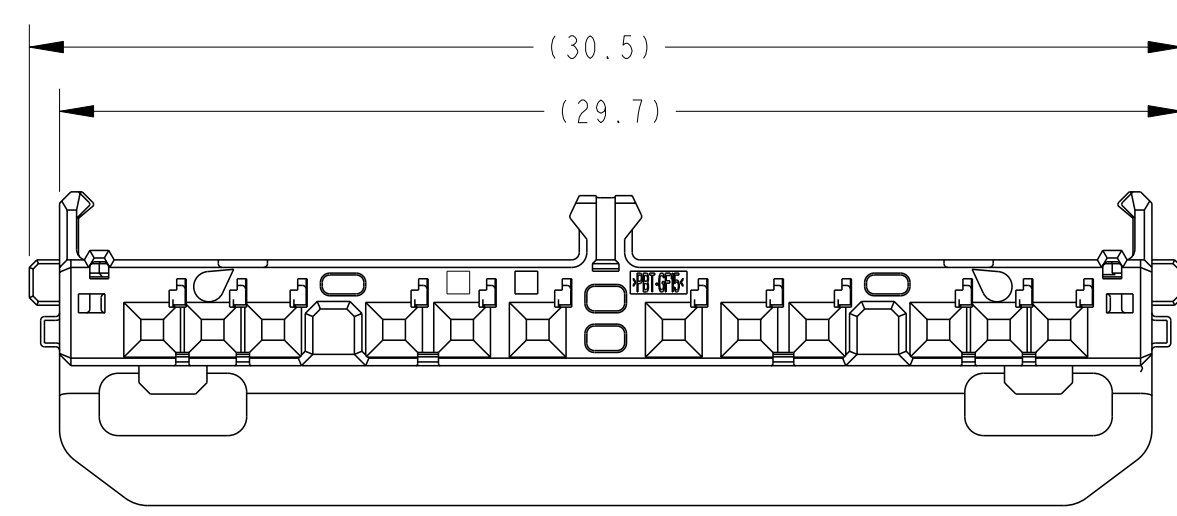


-1: AS SHOWN
 -1: 本図

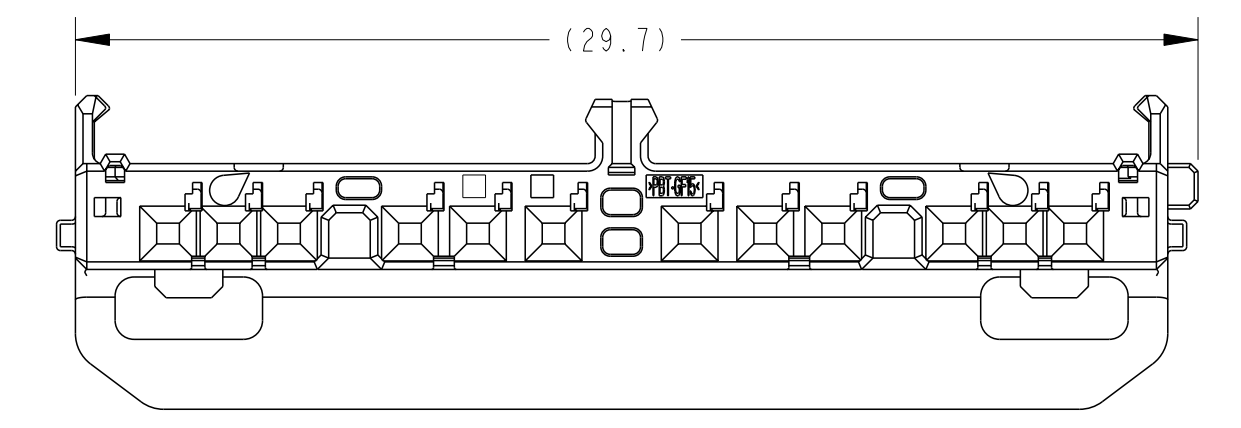


1903611-4
 1-1903611-0
 1-1903611-6

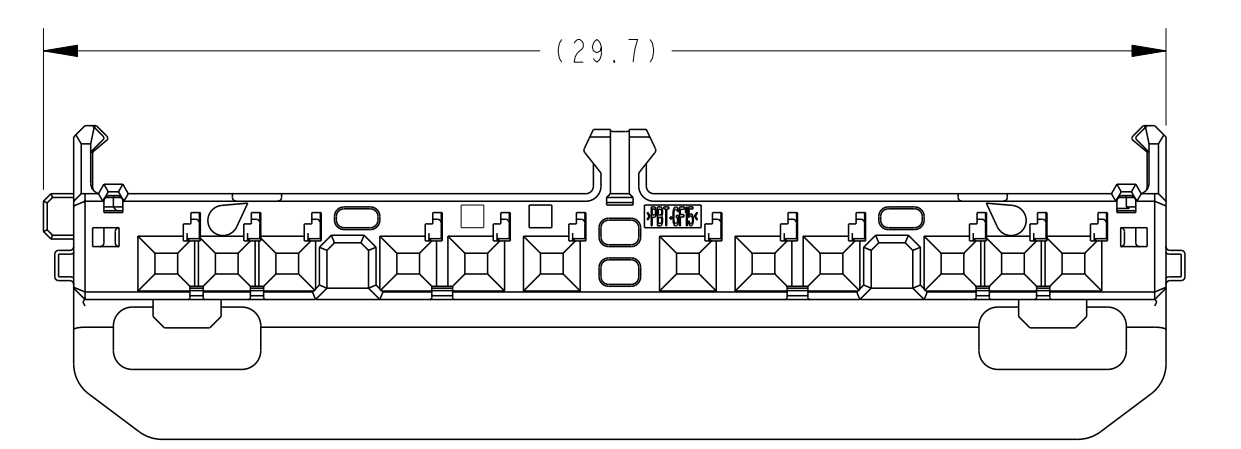


2-1903611-5
 2-1903611-6

REV. LIST		REVISIONS			
NO.	DATE	DESCRIPTION	DATE	OWN	APVD
A		RELEASED	09DEC08	KK	HY
A1		REVISED ECR-09-014331	07SEP12	KK	HY
A2		REVISED ECR-17-014392	03OCT2017	KK	TK



1903611-5
 1-1903611-1
 1-1903611-7



1903611-6
 1-1903611-2

1. 本製品は、別番のコンポーネントと組合せて使用する。
2. 取扱説明書 NO: 411-78268, 78269
3. 組合せ相手型番: 取扱説明書を参照のこと。
4. 嵌合相手代表型番: 取扱説明書を参照のこと。
5. 適用端子: TABLE-1参照

1. THIS PRODUCT IS USED STACK WITH ANOTHER COMPONENTS.
2. HANDLING OF THIS PART SHOULD FOLLOW INSTRUCTION SHEET NO.411-78268,78269.
3. COMPONENTS NUMBER OF STACKING;REFERENCE TO INSTRUCTION SHEET.
4. MATING CONNECTOR PART(TYPICAL);REFERENCE TO INSTRUCTION SHEET.
5. APPLIED TERMINAL;SEE TABLE-1

		APPLIED TERMINAL P/N 適用端子 P/N	APPLICABLE WIRE RANGE 適用電線
SIGNAL 0.5	TIN	1827855-4	0.13-0.5mm ²
	TIN	1827855-1	
	GOLD	1903703-1	
	TIN	1827855-2	
	TIN	1827855-3	

PACKING STYLE	COLOR	PART NO.	
PAPER BOX タンボール箱	SOFT TRAY フリストार्टレイ	GRAY	
		BLACK	
		NATURAL	
		GRAY	
		BLACK	
		NATURAL	
	OUTER 外装	INNER 内装	GRAY
			BLACK
			NATURAL
			GRAY
			BLACK
			NATURAL

THIS DRAWING IS A CONTROLLED DOCUMENT. OWN: K. KATO 09DEC08
 CHK: R. KOMIYAMA 09DEC08
 APVD: H. YAMAGAMI 09DEC08

DIMENSIONS: 単位: mm
 TOLERANCES UNLESS OTHERWISE SPECIFIED:
 0-PLC ±0.3
 1-PLC ±0.5
 2-PLC ±0.13
 3-PLC ±0.13
 4-PLC ±0.001

MATERIAL: PBT
 FINISH: SEE TABLE

WEIGHT: 1.29 g
 CUSTOMER DRAWING

SIZE: A1
 CAGE CODE: 00779
 DRAWING NO: 1903611

RESTRICTED TO: -
 SHEET 5:1 OF 1 REV: A2

TE Connectivity
 0.5 12POSITION HOUSING ASSY
 STACKING TYPE