

## Features

- Frequency range : 32.768 kHz
- SMD : Plastic package
- External dimensions (mm)
- L : 6.9 x W : 1.4 x H : 1.4
- RoHS compliant
- Contains Pb, exempted by RoHS directive

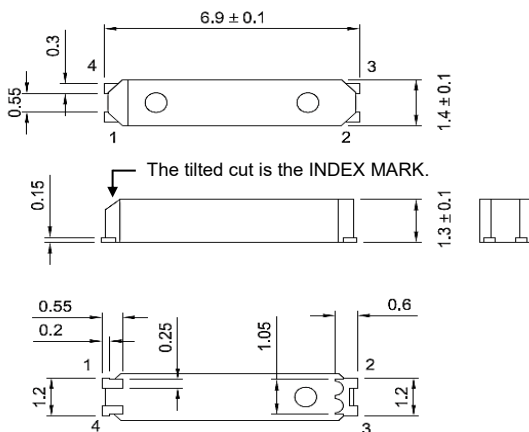
## Applications

- Small mobile devices
- Consumer products

## Electrical Characteristics

Item	Symbol	9HT7	Conditions
Nominal Frequency	$f_0$	32.768 kHz	
Frequency Tolerance	$\Delta f/f_0$	$\pm 20$ ppm	at 25°C
Load Capacitance	$C_L$	7pF, 9pF, 12.5pF	
Operating Temperature Range	$T_{OTR}$	-40°C ~ +85°C	
Storage Temperature Range	$T_{STR}$	-55°C ~ +125°C	
Turnover Temperature	$T_M$	25°C $\pm$ 5°C	
Temperature Coefficient	$\beta$	-0.04ppm/°C <sup>2</sup> Max.	
Motional Capacitance	$C_1$	1.9 fF Typ.	
Motional Resistance (ESR)	$R_1$	65 kΩ Max.	at 25°C
Drive Level	$D_L$	1 $\mu$ W Max.	
Aging	$\Delta f/f_0$	$\pm 3$ ppm Max.	at 25°C $\pm$ 3°C, first year
Shunt Capacitance	$C_0$	0.8 pF Typ.	

## Dimensions



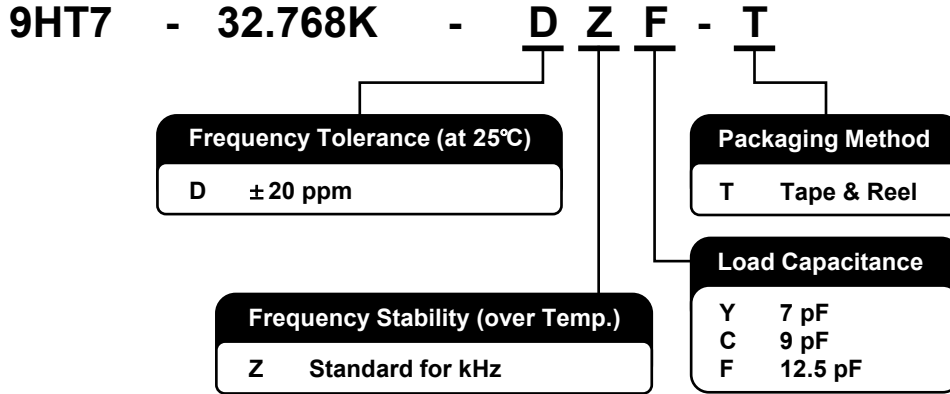
### Internal Connection



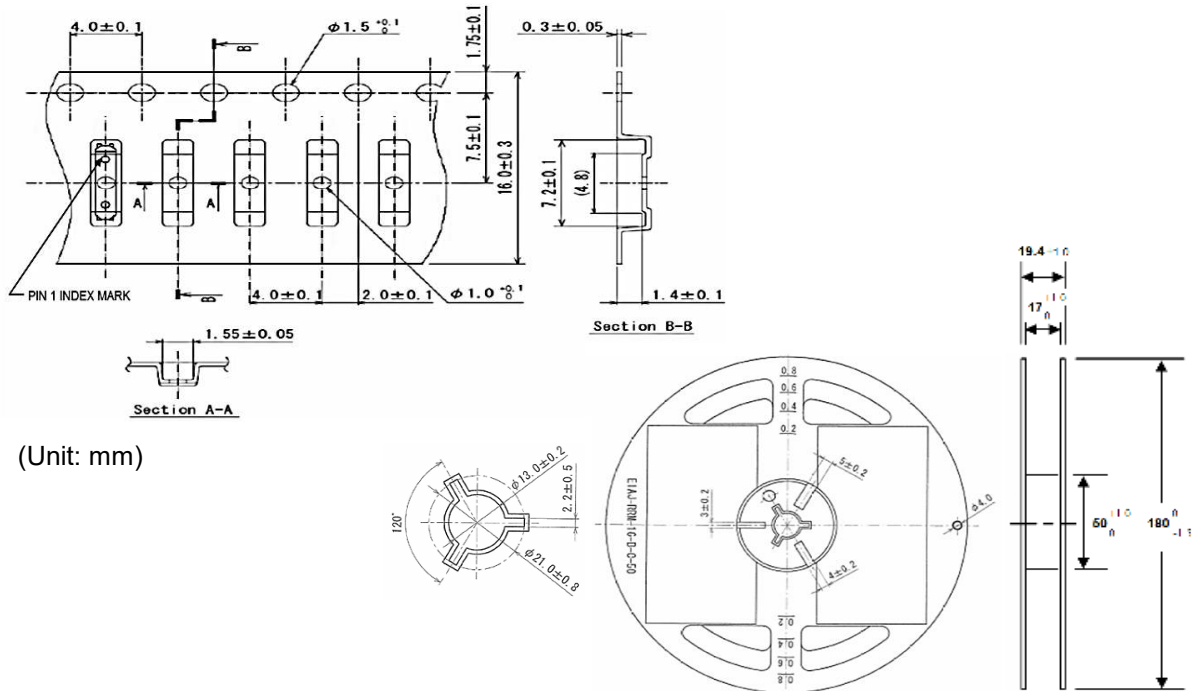
Do not connect pin2 & pin3 to external device.

(Unit: mm)

## Ordering Information



## Packing



## Reflow Profile

Total time : Max. 200 sec.  
Solder melting point : 220°C

