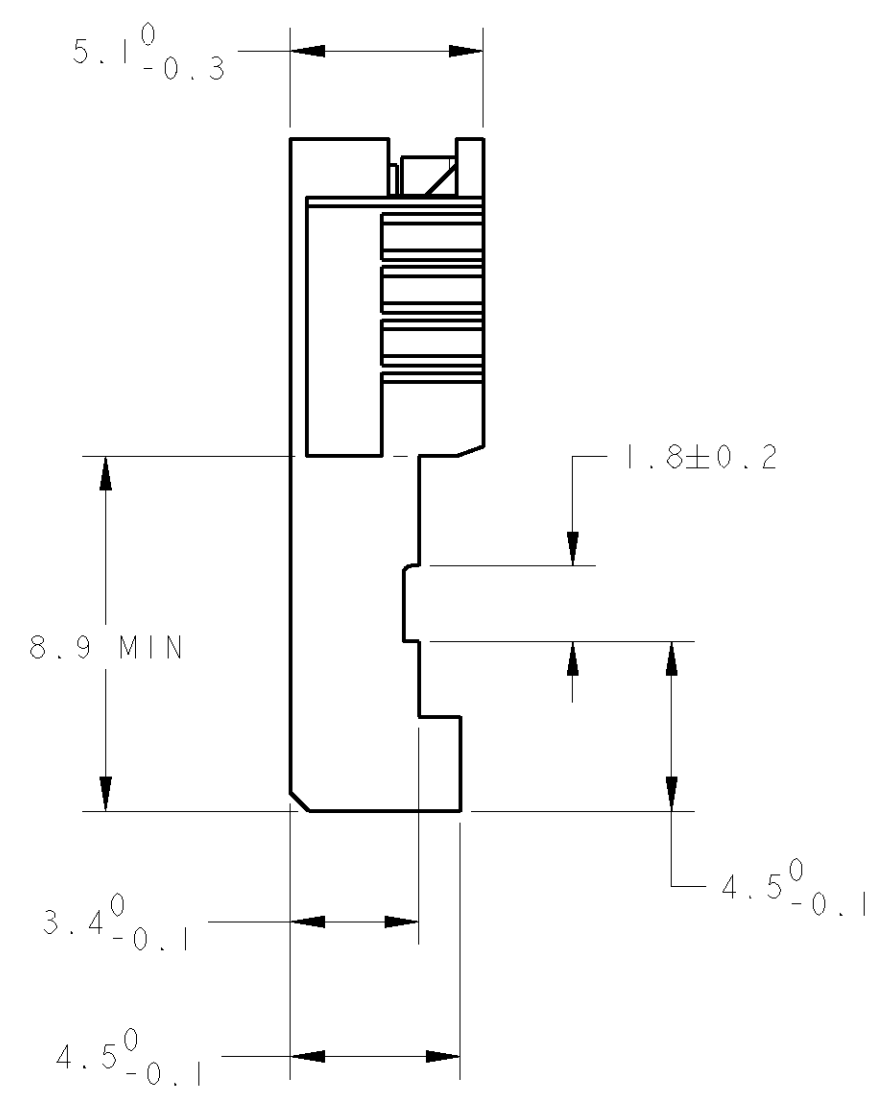
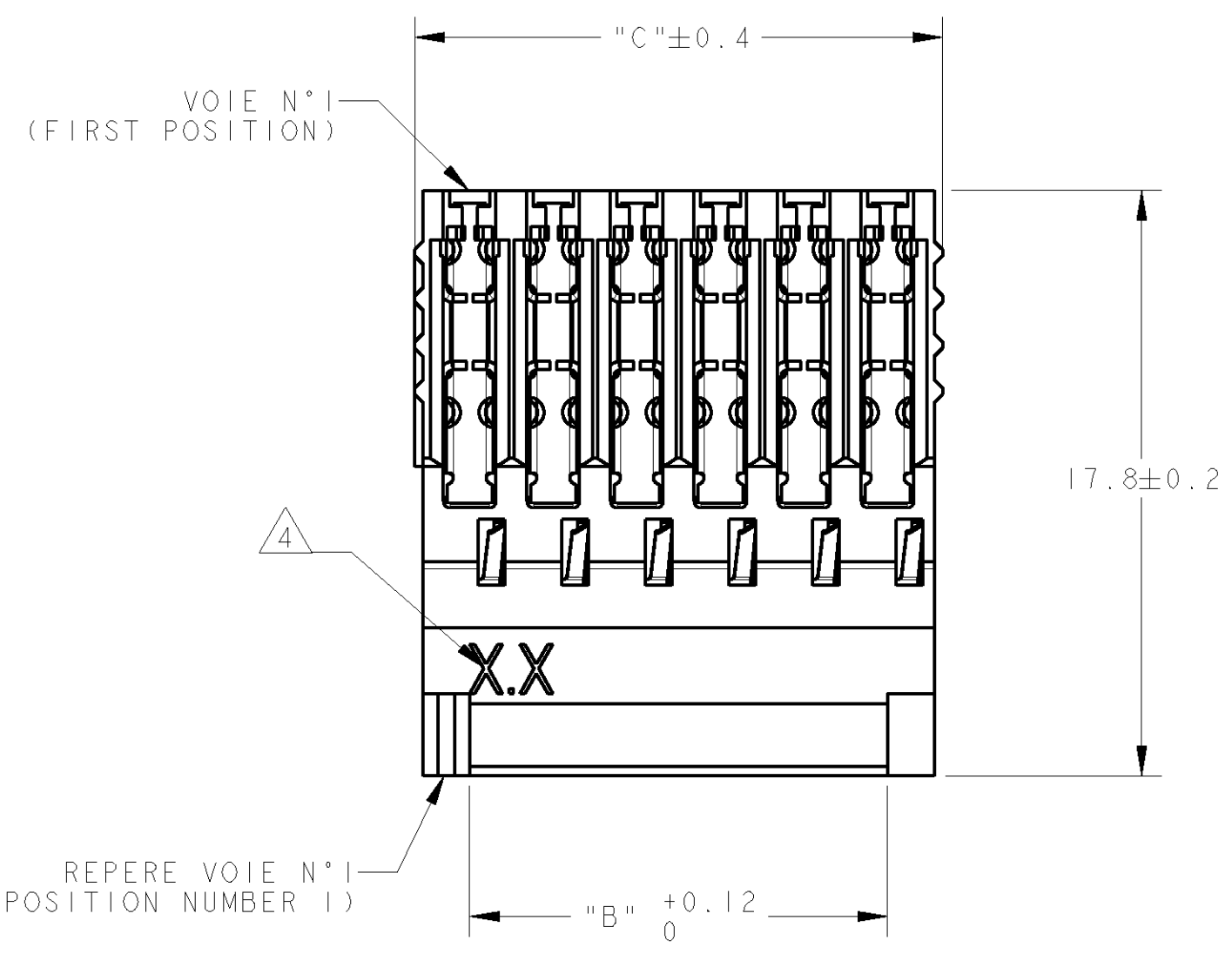
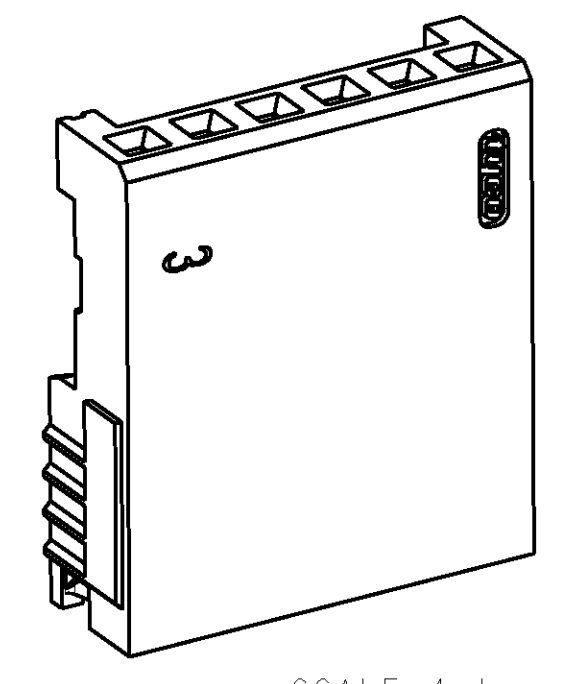
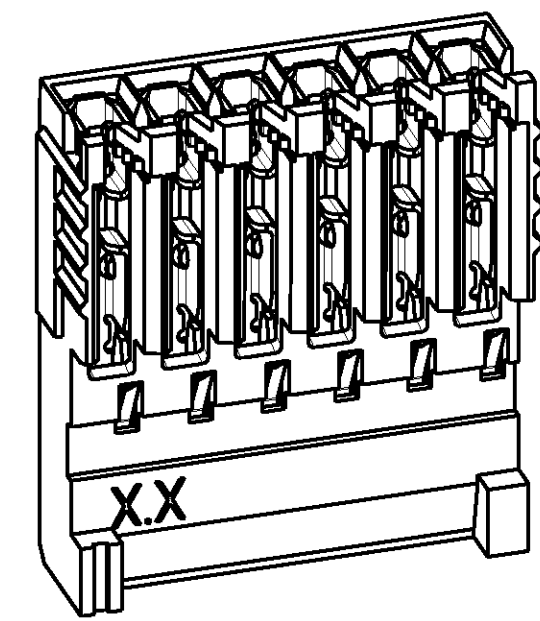
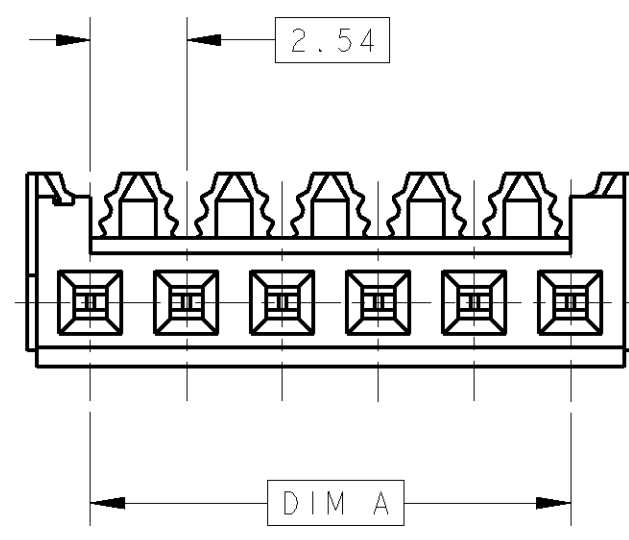


THIS DRAWING IS UNPUBLISHED. DIFFUSION RESTREINT. RELEASED FOR PUBLICATION LIBRE A LA DIFFUSION. ALL RIGHTS RESERVED. TOUS DROITS RESERVES.

FILS ADMISSIBLES (ACCEPTABLES WIRES)	
JAUGE (AWG) SECTION / 7 BRINS (7 STRANDS)	28-26 0.08-0.12mm ²
ISOLANT: Ø MAX / MATIERE (INSUL.: Ø MAX / MAT'L)	Ø 1 / PVC

LOC	DIST	REVISIONS					
F	7	P	LTR	DESCRIPTION MODIFICATIONS	DATE	DWN DESS.	APVD APP.
		C1		REVISED PER ECO-11-005150	28APR11	RK	HMR



SCALE 4:1

SCALE 4:1

- 1 CES CONNECTEURS SONT PREVUS POUR ETRE ACCOUPLES AVEC LES EMBASES 'HE1402' SIMPLE RANGEE (THESE CONNECTEURS ARE DESIGNED TO BE MATED WITH 'HE1402' HEADERS SINGLE ROW)
- 2 LES REFERENCES SUIVIES D'UN ' * ' SONT LES VERSIONS NORMALISEES SELON LA 'CEI 603-8' (THE PART-NO FOLLOWED BY ' * ' ARE COVERED BY THE INTERNATIONAL STANDARD 'IEC603-8')
- 3 REVETEMENT DES CONTACTS: ETAME (CONTACTS PLATING: TIN)
- 4 8.6 SIGNIFIE JAUGE 28-26 (8.6 REFERS TO 28-26 AWG)
- 5 MATIERES - BOITIER: PBT UL94V0, BLEU - CONTACTS: BRONZE PHOSPHOREUX. (MATERIAL - HOUSING: PBT UL94V0, COLOR BLUE - CONTACTS: PHOSPHOR BRONZE)

46.52	43.18	18	1-281786-8	*
38.90	35.56	15	1-281786-5	*
31.28	27.94	12	1-281786-2	*
26.20	22.86	10	1-281786-0	*
21.12	17.78	8	0-281786-8	*
16.04	12.70	6	0-281786-6	*
13.50	10.16	5	0-281786-5	*
10.96	7.62	4	0-281786-4	*
8.42	5.08	3	0-281786-3	*
5.88	2.54	2	0-281786-2	*
C	A, B	Nb DE POS	REFERENCES (PART No)	
DIMENSIONS				

DWN/DESSINE 29NOV2000 C. COMBEDOUZON CHK/VERIFIE 29NOV2000 T. CORRIOU APVD/APPROUVE 29NOV2000 Y. PETRONIN		TE Connectivity	
DIMENSIONS: mm		NAME/TITRE HE 1402 PLUG, 180° IDC SINGLE ROW	
TOLERANCES UNLESS OTHERWISE SPECIFIED: (SUIV NB DE DECIMALES) 0 PLC/DEC: ± 1 PLC/DEC: ±0.3 2 PLC/DEC: ± 3 PLC/DEC: ± 4 PLC/DEC: ± ANGLES ±5°		PRODUCT SPEC SPEC, PRODUIT 108-15053 APPLICATION SPEC SPEC, APPLICATION 114-15031	
MATERIAL/MATIERE		WEIGHT MASSE APPROX. -	RESTRICTED TO RESERVE A
FINISH/FINITION		SIZE FORMAT A2	CAGE CODE 00779
		DRAWING NO No PLAN C-281786	UNIFORMITY POUR REFERENCE
		CUSTOMER DRAWING /PLAN CLIENT	SCALE ECHELLE 5:1
		SHEET FEUILLE	OF DE
		REV C1	