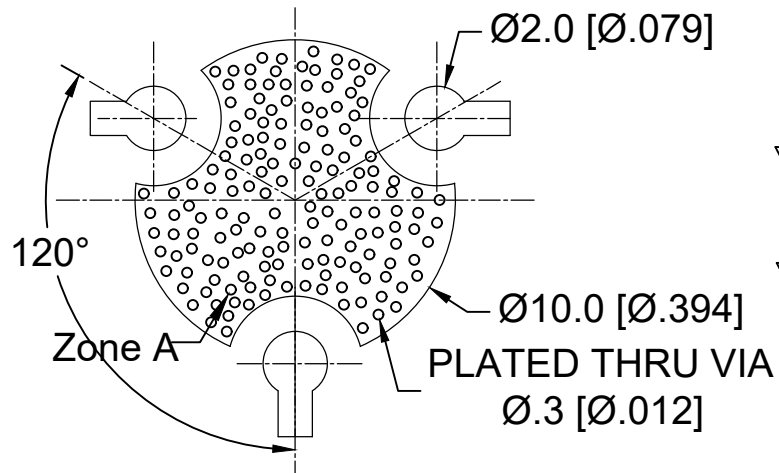
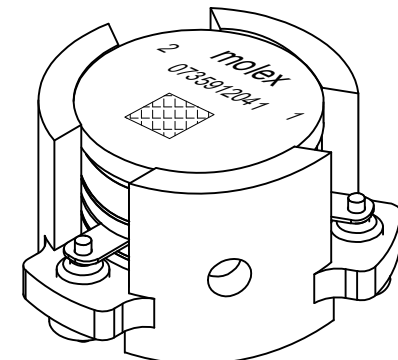
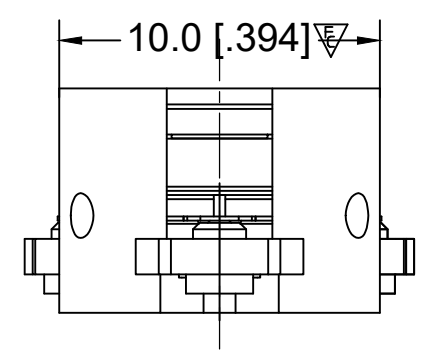
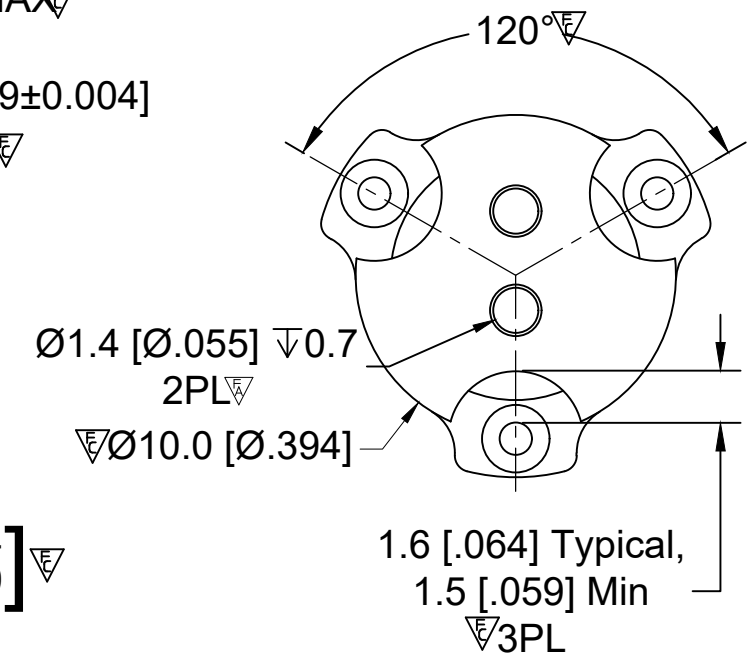
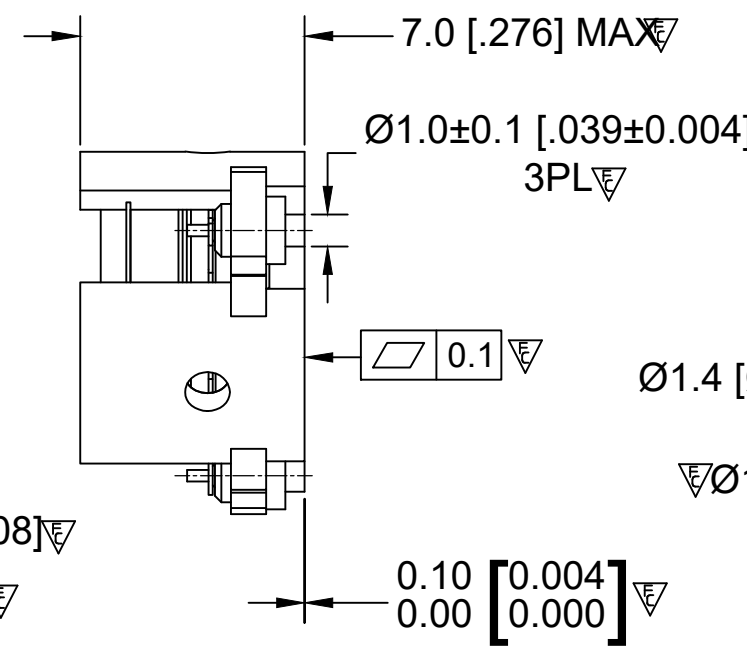
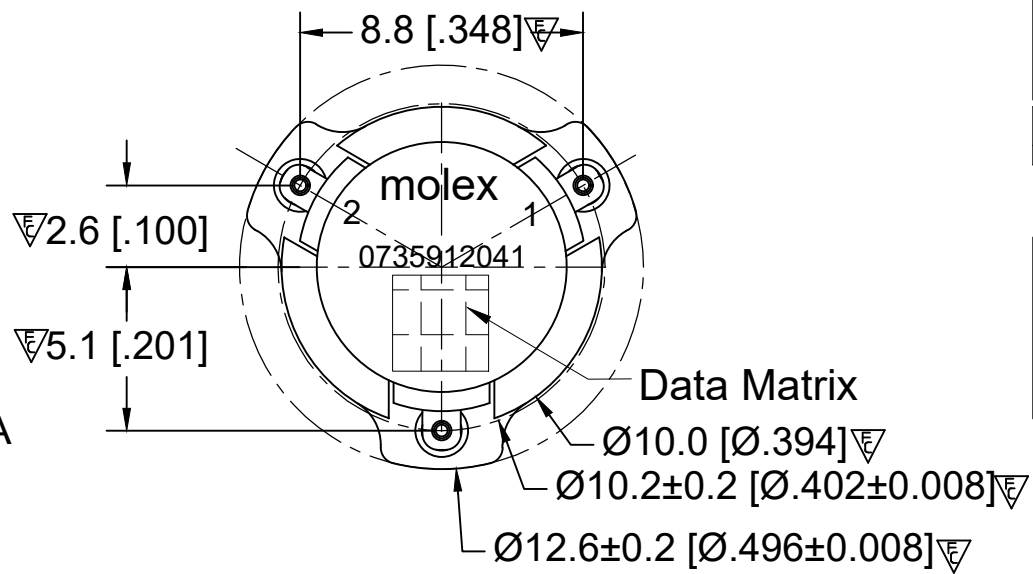


RECOMMENDED LAND PATTERN :

Zone A must be attached to heat sink. Thermal conductivity of intermediate layers between Zone A and heat sink must be better than 0.1 W / [°C x mm].



PCB Material :Rogers RO4350B,0.508mm thickness
trace width 1.07mm wide.



ELECTRICAL SPECIFICATIONS :

- Frequency Range : 3400~3800 MHz
- Insertion Loss : 0.30 dB max
- Isolation : 20 dB Min
- Return Loss : 20 dB min
- Power : 20W
- Peak Power : 150W
- FWD IMD3 (2x5W) : -60 dBc Max
- Operating Temperature : -40°C to +105°C
- Direction : CCW

BODY: CARBON STEEL, SILVER PLATED

RIGID PINS: COPPER, SILVER PLATED

NOTES:

- 1.STANDARD INPUT/OUTPUT IMPEDANCE 50 Ohm
- 2.LEAD FREE, NO Nd MATERIAL, BeO FREE
- 3.THE DIMENSION OF DATE MATRIX IS 3X3MM INFORMATION INCLUDING WORK ORDER NUMBER-SERIAL NUMBER-MATERIAL NUMBER
- 4.THIS PART COMPLIES WITH ALL RoHS REQUIREMENTS

ENG PART#:812-340-380-VP040

FUNCTIONAL SYMBOLS FA=0 FE=0 FP=0	THIS DRAWING CONTAINS INFORMATION THAT IS PROPRIETARY TO MOLEX ELECTRONIC TECHNOLOGIES, LLC AND SHOULD NOT BE USED WITHOUT WRITTEN PERMISSION		CURRENT REV DESC: RELEASE TO PROD		molex
	DIMENSION UNITS MM	SCALE 1:1	EC NO: 696580		
	GENERAL TOLERANCES (UNLESS SPECIFIED)		DRWN: SREN05	2022/02/21	
			CHK'D: JLI252	2022/02/23	
DIVISIONAL SYMBOLS			APPR: HWANG186	2022/03/01	RESTRICTED PRODUCT CUSTOMER DRAWING
			INITIAL REVISION:		
			DRWN: SREN05	2021/11/15	
			APPR: HWANG186	2022/03/01	
		ANGULAR TOL ± 1.5 °			DOCUMENT NUMBER 735912041
DRAFT WHERE APPLICABLE MUST REMAIN WITHIN DIMENSIONS		THIRD ANGLE PROJECTION	DRAWING A3-SIZE	SERIES 73591	MATERIAL NUMBER 0735912041
			CUSTOMER CUSTOM PART		SHEET NUMBER 1 OF 1

DOCUMENT STATUS	P1	RELEASE DATE	2022/03/01	06:07:02
-----------------	----	--------------	------------	----------