



MPLAB® ICD 4 In-Circuit Debugger User's Guide

Notice to Customers



Important:

All documentation becomes dated, and this manual is no exception. Microchip tools and documentation are constantly evolving to meet customer needs, so some actual dialogs and/or tool descriptions may differ from those in this document. Please refer to our website (www.microchip.com) to obtain the latest documentation available.

Documents are identified with a "DS" number. This number is located on the bottom of each page, in front of the page number. The numbering convention for the DS number is "DSXXXXXA", where "XXXXX" is the document number and "A" is the revision level of the document.

For the most up-to-date information on development tools, see the MPLAB® X IDE online help. Select the Help menu, and then Topics to open a list of available online help files.



Table of Contents

Notice to Customers.....	1
1. Introduction.....	4
1.1. Conventions Used in This Guide.....	4
1.2. Recommended Reading.....	5
2. About the Debugger.....	6
2.1. MPLAB ICD 4 In-Circuit Debugger Description.....	6
2.2. MPLAB ICD 4 In-Circuit Debugger Advantages.....	6
2.3. MPLAB ICD 4 In-Circuit Debugger Components.....	7
2.4. MPLAB ICD 4 Block Diagram.....	9
3. Operation.....	10
3.1. Debugger to Target Communication.....	10
3.2. Target Communication Connections.....	12
3.3. Circuits That Will Prevent the Debugger From Functioning.....	14
3.4. Debugging.....	14
3.5. Requirements for Debugging.....	15
3.6. Programming.....	17
3.7. Resources Used by the Debugger.....	17
4. Debugger Usage.....	18
4.1. Installation and Setup.....	18
4.2. Debug Tutorial.....	18
4.3. Quick Debug/Program Reference.....	18
4.4. Debugger Limitations.....	19
4.5. Connecting the Target Board.....	19
4.6. Setting Up the Target Board.....	20
4.7. Starting and Stopping Debugging.....	21
4.8. Viewing Processor Memory and Files.....	21
4.9. Breakpoints and Stopwatch.....	22
5. Troubleshooting.....	24
5.1. Some Questions to Answer First.....	24
5.2. Top Reasons Why You Can't Debug.....	24
5.3. Other Things to Consider.....	25
6. Frequently Asked Questions.....	28
6.1. How Does it Work?.....	28
6.2. What's Wrong?.....	29
7. Error Messages.....	30
7.1. Types of Error Messages.....	30
7.2. General Corrective Actions.....	37
7.3. Information Messages.....	38
8. Debugger Function Summary.....	39

8.1. Debugger Selection and Switching.....	39
8.2. Debugger Options Selection.....	39
9. Hardware Specification.....	45
9.1. USB Port Communication.....	45
9.2. MPLAB ICD 4 In-Circuit Debugger.....	45
9.3. Communication Hardware.....	46
9.4. ICD Test Interface Module.....	52
9.5. Target Board Considerations.....	53
10. Revision History.....	55
10.1. Revision A (August 2017).....	55
10.2. Revision B (September 2017).....	55
10.3. Revision C (May 2018).....	55
10.4. Revision D (October 2018).....	55
10.5. Revision E (June 2020).....	55
11. Support.....	56
11.1. Warranty Registration.....	56
11.2. myMicrochip Personalized Notification Service.....	56
12. Glossary.....	57
The Microchip Web Site.....	75
Customer Change Notification Service.....	75
Customer Support.....	75
Microchip Devices Code Protection Feature.....	75
Legal Notice.....	76
Trademarks.....	76
Quality Management System Certified by DNV.....	76
Worldwide Sales and Service.....	77

1. Introduction

This chapter contains general information that will be useful to know before using the MPLAB® ICD 4 In-Circuit Debugger.

1.1 Conventions Used in This Guide

This manual uses the following documentation conventions:

Table 1-1. Documentation Conventions

Description	Represents	Examples
Arial font:		
Italic characters	Referenced books	<i>MPLAB® IDE User's Guide</i>
	Emphasized text	...is the <i>only</i> compiler...
Initial caps	A window	the Output window
	A dialog	the Settings dialog
	A menu selection	select Enable Programmer
Quotes	A field name in a window or dialog	"Save project before build"
Underlined, italic text with right angle bracket	A menu path	<u><i>File>Save</i></u>
Bold characters	A dialog button	Click OK
	A tab	Click the Power tab
N'Rnnnn	A number in verilog format, where N is the total number of digits, R is the radix and n is a digit.	4'b0010, 2'hF1
Text in angle brackets < >	A key on the keyboard	Press <Enter>, <F1>
Courier New font:		
Plain Courier New	Sample source code	#define START
	Filenames	autoexec.bat
	File paths	c:\mcc18\h
	Keywords	_asm, _endasm, static
	Command-line options	-Opa+, -Opa-
	Bit values	0, 1
	Constants	0xFF, 'A'
Italic Courier New	A variable argument	<i>file.o</i> , where <i>file</i> can be any valid filename
Square brackets []	Optional arguments	mcc18 [options] file [options]
Curly brackets and pipe character: { }	Choice of mutually exclusive arguments; an OR selection	errorlevel {0 1}

.....continued

Description	Represents	Examples
Ellipses...	Replaces repeated text	<code>var_name [, var_name...]</code>
	Represents code supplied by user	<code>void main (void) { ... }</code>

1.2 Recommended Reading

This user's guide describes how to use MPLAB ICD 4 In-Circuit Debugger. Other useful documents are listed below. The following Microchip documents are available and recommended as supplemental reference resources.

Multi-Tool Design Advisory (DS51764)

Please read this first! This document contains important information about operational issues that should be considered when using the MPLAB ICD 4 In-Circuit Debugger with your target design.

MPLAB X IDE WebHelp

This is an essential document to be used with any Microchip hardware tool.

This is an extensive help file for the MPLAB X IDE. It includes an overview of embedded systems, installation requirements, tutorials, details on creating new projects, setting build properties, debugging code, setting configuration bits, setting breakpoints, programming a device, etc. This help file is generally more up-to-date than the printable PDF of the user's guide (DS50002027) available as a free download at www.microchip.com/mplabx/.

Release Notes for MPLAB ICD 4 In-Circuit Debugger

For the latest information on using MPLAB ICD 4 In-Circuit Debugger, read the notes under "Release Notes and Support Documentation" on the MPLAB X IDE Start Page. The release notes contain update information and known issues that may not be included in this user's guide.

MPLAB ICD 4 Quick Start Guide Poster (DS50002538)

This poster shows you how to connect the hardware and install the software for the MPLAB ICD 4 In-Circuit Debugger using standard communications and a target board.

Processor Extension Pak and Header Specification (DS50001292)

This booklet describes how to install and use headers. Headers are used to better debug selected devices, without the loss of pins or resources. See also the PEP and Header online Help file.

2. About the Debugger

An overview of the MPLAB® ICD 4 In-Circuit Debugger system is provided here.

2.1 MPLAB ICD 4 In-Circuit Debugger Description

The MPLAB ICD 4 In-Circuit Debugger (DV164045) is Microchip's fastest and most cost-effective debugging and programming tool for Microchip PIC®, dsPIC® flash and CEC (ARM® Cortex®-M7-based) microcontrollers (MCUs). This speed is provided by a SAME70 MCU with 300 MHz, 32-bit MCU with 2MB of RAM and a high-speed FPGA to yield faster communications, downloads and debugging. It debugs and programs with the powerful and easy-to-use graphical user interface of MPLAB X Integrated Development Environment (IDE). The MPLAB ICD 4 is connected to your computer through a high-speed USB 2.0 interface and is connected to the target with an RJ-11 connector. The MPLAB ICD 4 also works with JTAG interfaces.

The debugger system executes code like an actual device because it uses a device with built-in emulation circuitry instead of a special debugger chip. All available features of a given device are accessible interactively and can be set and modified by the MPLAB X IDE interface.

The MPLAB ICD 4 In-Circuit Debugger is compatible with any of these platforms:

- Microsoft Windows® 7 or later
- Linux®
- macOS™

The MPLAB ICD 4 In-Circuit Debugger was developed for debugging embedded processors with rich debug facilities which differ from conventional system processors in the following aspects:

- Processors run at maximum speeds
- Capability to incorporate I/O port data input
- Advanced host communication interfaces (Windows, macOS and Linux)
- Advanced communication mediums and protocols
- Faster programming times
- Modular design (testability and maintainability)

In addition to debugger functions, the MPLAB ICD 4 In-Circuit Debugger system also may be used as a device production programmer.

2.2 MPLAB ICD 4 In-Circuit Debugger Advantages

The MPLAB ICD 4 In-Circuit Debugger system provides the following advantages:

Features/Capabilities:

- Connects to computer via high-speed USB 2.0 (480 Mbits/s) cable.
- Comes with a standard Microchip debugging connector (RJ-11) and has the option to use JTAG.
- Programs devices using MPLAB X IDE or MPLAB IPE.
- Supports multiple breakpoints, stopwatch, and source code file debugging.
- Debugs your application on your own hardware in real time.
- Sets breakpoints based on internal events.
- Monitors internal file registers.
- Debugs at full speed.
- Configures pin drivers.
- Field-upgradeable through an MPLAB X IDE firmware download.
- Adds new device support and features by installing the latest version of MPLAB X IDE (available as a free download at www.microchip.com/mplabx/).
- Controls brightness of LEDs.

- Includes a test module that can test all communications.
- Operates within a temperature range of 0-70 degrees Celsius.

Performance/Speed:

- More and faster memory.
- A Real-Time Operating System (RTOS).
- No firmware download delays incurred when switching devices.
- A 32-bit MCU running at 300 MHz.
- A buffer memory of 2 MB.

Safety:

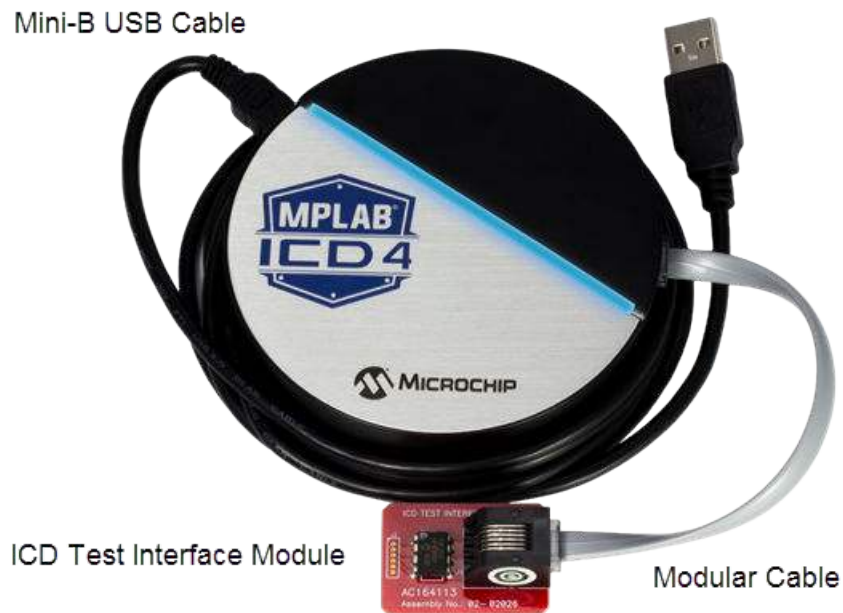
- Receive feedback from debugger when external power supply is needed for target.
- Supports target supply voltages from 1.2V to 5.5V.
- Safely power up to 1A with an optional 9V DC power supply.
- Protection circuitries are added to the probe drivers to guard from power surges from the target.
- V_{DD} and V_{PP} voltage monitors protect against overvoltage conditions/all lines have over-current protection.
- Programming/debugging pins are physically isolated until voltage is determined to be safe for connection, programmable resistor value, and direction (pull-up, pull-down, or nonexistent).
- Controlled programming speed provides flexibility to overcome target board design issues.
- CE and RoHS compliant – conforms to industry standards.

2.3 MPLAB ICD 4 In-Circuit Debugger Components

The components of the MPLAB ICD 4 In-Circuit Debugger system are:

- A puck-shaped MPLAB ICD 4 unit housed in a durable black case, which is accented with an LED indicator bar, a Mini-B USB connector, an RJ-45 connector, and a power connector (9V DC +/- 5% center positive 2.5mm pin inner diameter/5.5mm outer diameter.)
- A Mini-B USB cable to provide communication between the debugger and a computer, and to provide power from the computer to the debugger.
- A 6-inch modular cable (6-pin RJ-11 type) to connect the MPLAB ICD 4 unit to a target board.
- An ICD Test Interface Module (AC164113) to self-test the debugger.

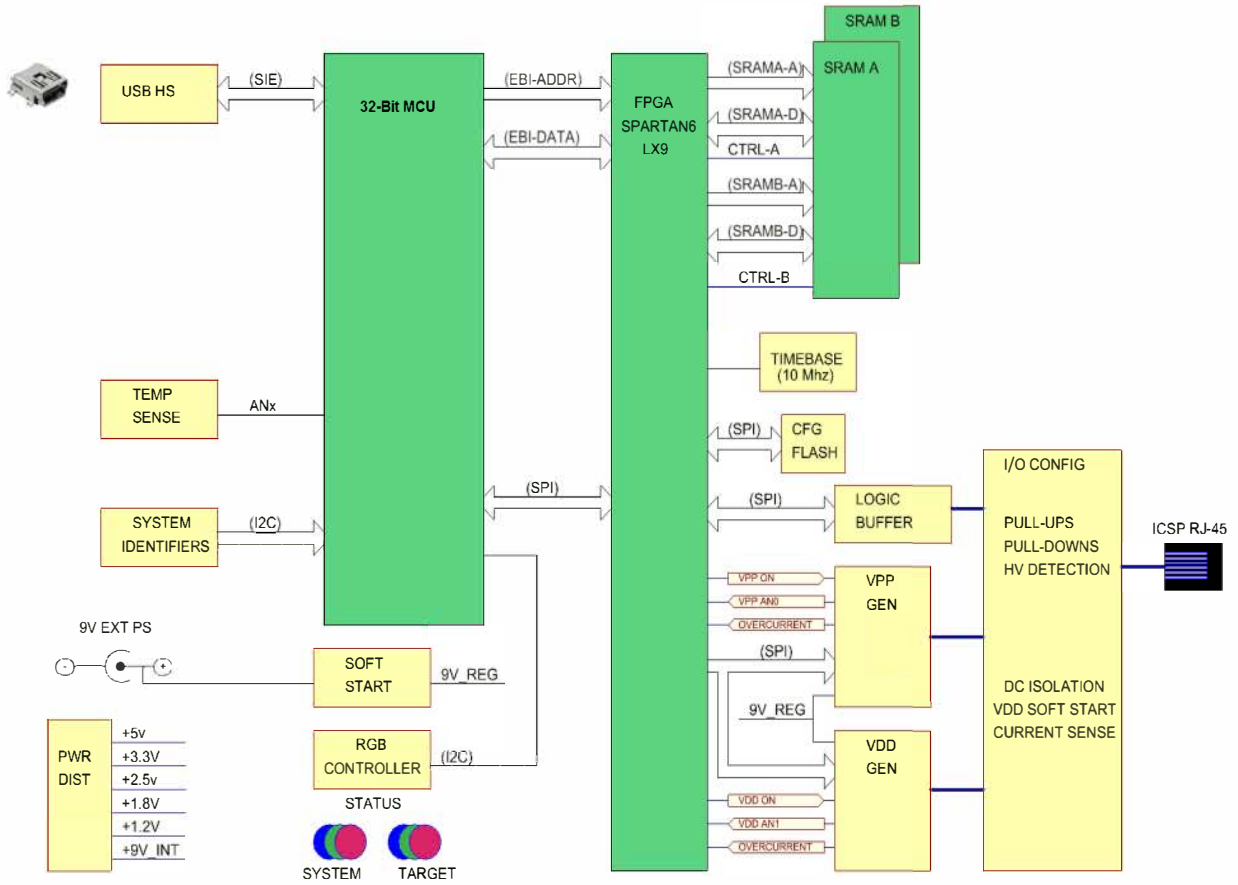
Figure 2-1. Basic Debugger System



Additional hardware and accessories may be ordered separately from Microchip Direct (www.microchipdirect.com).

- Debugger Adapter Board (Part Number AC002015) - a connectivity board that supports JTAG, SWD and ICSP protocols, useful for debugging legacy AVR with MPLAB ICD 4 (www.microchipdirect.com/product/search/all/AC102015).
- 9V Wall Mount Power Supply (Part Number AC002014), 110-220V universal power supply to provide up to 1A of power to the target application (www.microchipdirect.com/product/search/all/AC002014).
- Transition sockets.
- ICD headers.
- MPLAB processor extension kits.

2.4 MPLAB ICD 4 Block Diagram



3. Operation

A simplified theory of operation of the MPLAB ICD 4 In-Circuit Debugger system is provided here. It is intended to provide enough information so that a target board can be designed that is compatible with the debugger for both debugging and programming operations. The basic theory of in-circuit debugging and programming is discussed so that problems, if encountered, are quickly resolved.

3.1 Debugger to Target Communication



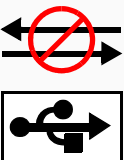

Important: The MPLAB X IDE software must be installed prior to connecting the MPLAB ICD 4 In-Circuit Debugger.

The debugger is connected to the computer via a USB cable for communication and debugger power (not target power).

The debugger is connected to the target application for communication and data collection. Refer to [9.3.1 Connecting an RJ-11 Type Cable to an RJ-45 Jack on the Debugger](#) for pinout information.

The power supply (not included) is connected either to the target application (preferred method) or the debugger to provide power to the target.

The debugger system configurations are discussed in the following sections.

	<p style="text-align: center;">CAUTION</p> <p>Communication Failure. Do not connect the hardware before installing the software and USB drivers.</p>
	<p style="text-align: center;">CAUTION</p> <p>Debugger or Target Damage. Do not change hardware connections while the debugger or target is powered.</p>

3.1.1 Standard ICSP Device Communication



Notice: For header support, see the latest Release Notes for MPLAB ICD 4 in MPLAB X IDE.

The debugger system can be configured to use standard 6-pin ICSP (modular cable) communication connection for both programming and debugging functions. The modular cable can be inserted into either:

- A matching socket at the target, where the target device is on the target board (see figure below).
- A standard adapter/header board combo (available as a Processor Extension Pak) plugged into the target board (second figure below).



Important: Older header boards used a 6-pin (RJ-11 type) modular connector instead of an 8-pin connector, so these headers may be connected directly to the debugger.

For more on standard communication, see [9.3.2 Standard Communication](#) .

Figure 3-1. Standard Debugger System – Device With On-board ICE Circuitry

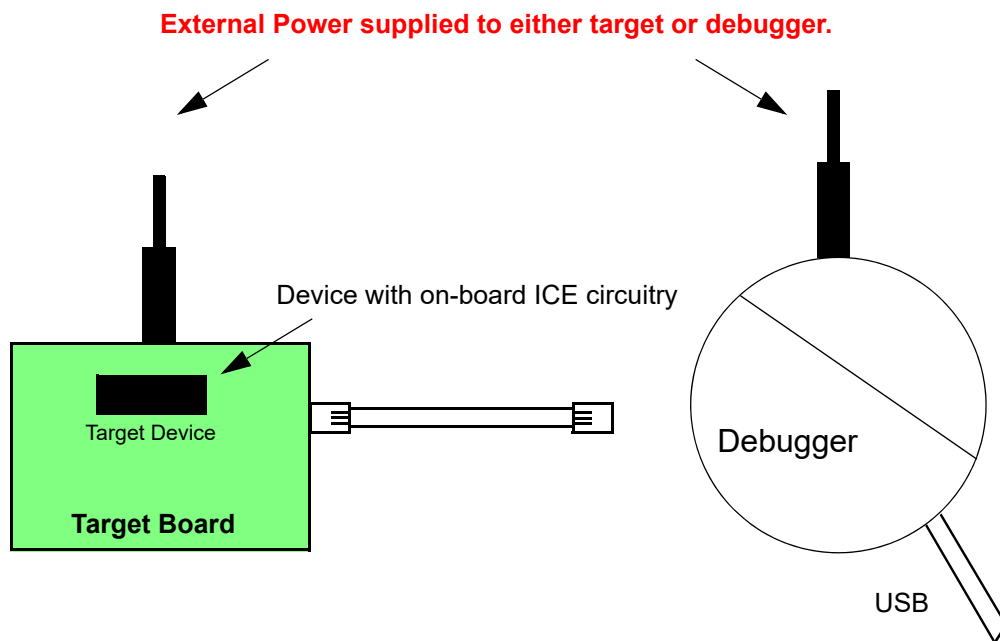
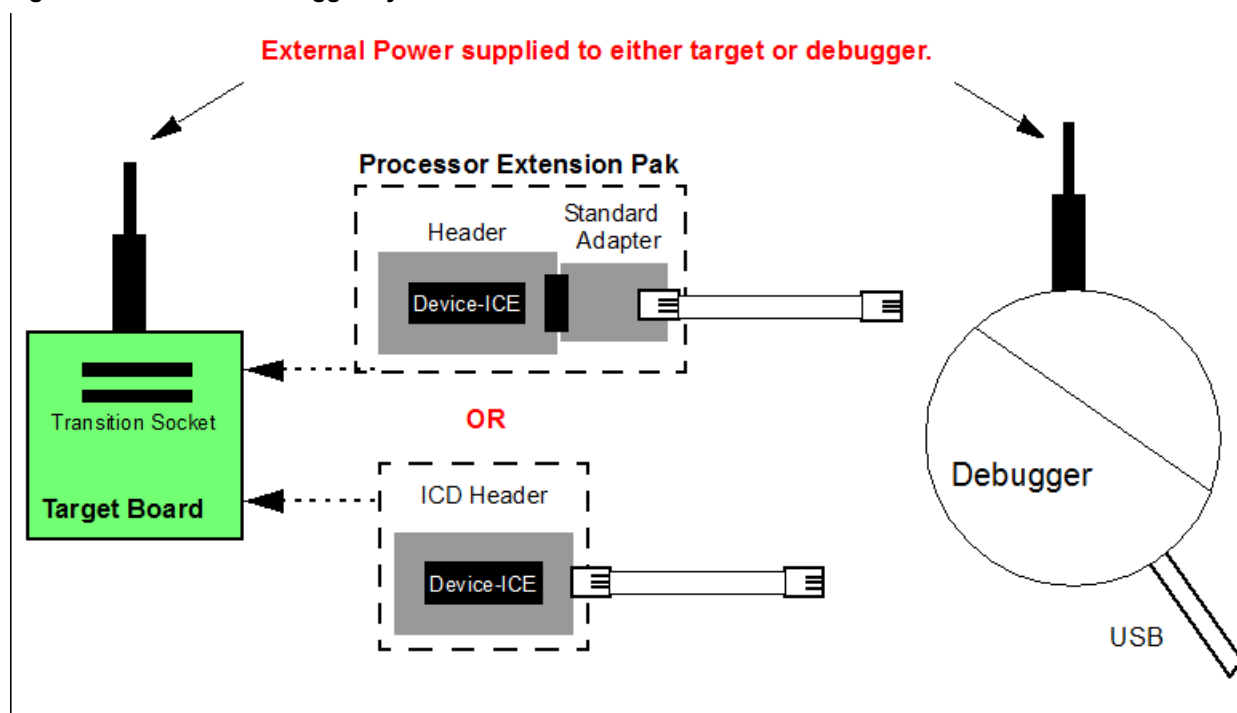


Figure 3-2. Standard Debugger System – ICE Device



3.2 Target Communication Connections

3.2.1 Standard Communication Target Connection



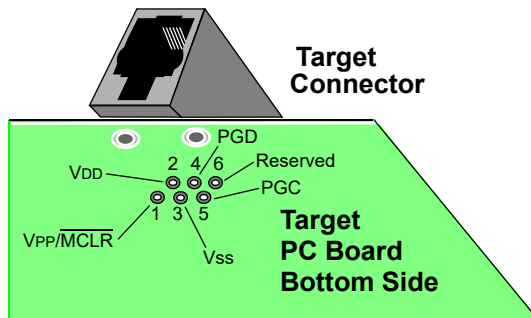
Important: Refer to the data sheet for the device you are using as well as the application notes and the specific interface for additional information and diagrams.

Using the RJ-11 connector, the MPLAB ICD 4 In-Circuit Debugger is connected to the target device with the modular interface (six conductor) cable. The pin numbering for the connector is shown from the bottom of the target PCB in the figure below.



Important: Cable connections on the debugger and target are mirror images of each other, that is, pin 1 on one end of the cable is connected to pin 6 on the other end of the cable. See [9.3.3.3 Modular Cable Specification](#).

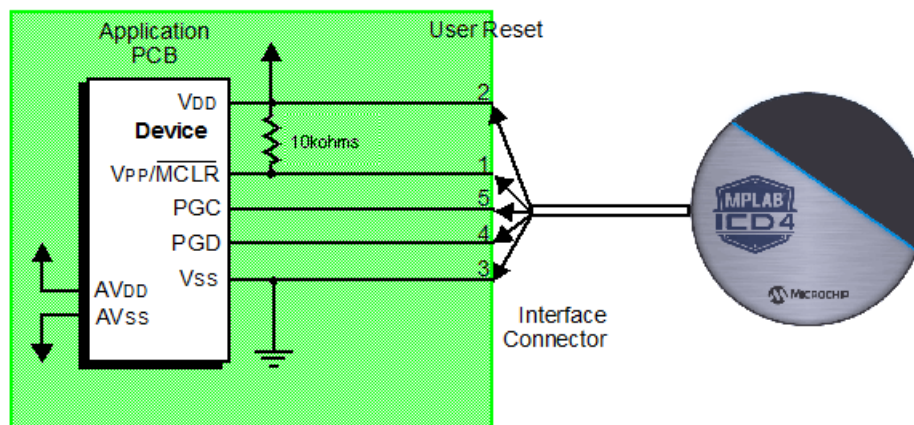
Figure 3-3. Standard Connection at Target



3.2.2 Target Connection Circuitry

The figure below shows the interconnections of the MPLAB ICD 4 In-Circuit Debugger to the connector on the target board. The diagram also shows the wiring from the connector to a device on the target PCB. A pull-up resistor (usually around 10 kΩ) connected from the V_{PP}/\overline{MCLR} line to the V_{DD} is recommended so that the line may be strobed low to reset the device.

Figure 3-4. Standard Connection Target Circuitry



3.2.3 Target Power

There are two methods for externally powering the target:

- [3.2.3.1 Externally Powered Through Target](#)
- [3.2.3.2 Externally Powered Through Debugger](#)

In the following descriptions, only three lines are active and relevant to core debugger operation: pins 1 (V_{PP}/\overline{MCLR}), 5 (PGC), and 4 (PGD). Pins 2 (V_{DD}) and 3 (V_{SS}) are shown in [Figure 3-4](#) for completeness.

When providing power to the target device, ensure that the target is not exposed to voltages higher than the device V_{DD} rating.

Absolute maximum ratings for the device V_{DD} must not be exceeded. Exposure to the maximum rating conditions for any length of time may affect device reliability.

Functional operation of the device at conditions above the parameters indicated in the device data sheets specification is not recommended.

See the device data sheet for required device voltage levels and maximum ratings.

3.2.3.1 Externally Powered Through Target

The recommended method for powering the target device is an external power supply connected directly to the target board. In this configuration, target V_{DD} is sensed by the debugger to allow level translation for the target low-voltage operation. If the debugger does not sense voltage on its V_{DD} line (pin 2 of the interface connector), it will not operate.

3.2.3.2 Externally Powered Through Debugger

An alternative method of powering the target device is an external power supply connected directly to the MPLAB ICD 4. Be aware that you must also select power from the MPLAB ICD 4 debugger via MPLAB X IDE.

Not all devices have the AV_{DD} and AV_{SS} lines, but if they are present on the target device, all must be connected to the appropriate levels in order for the debugger to operate. They cannot be left floating.

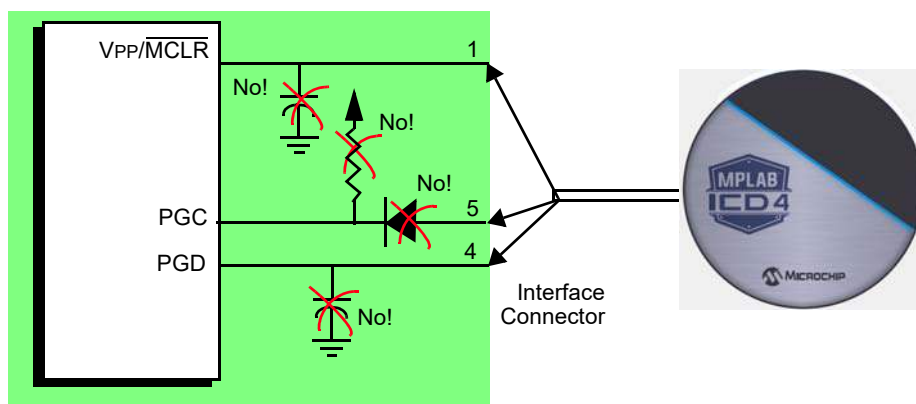
In general, it is recommended that all V_{DD}/AV_{DD} and V_{SS}/AV_{SS} lines be connected to the appropriate levels. Also, devices with a V_{CAP} line (PIC18FXXJ MCUs, for example) should be connected to the appropriate capacitor or level.

Note: The interconnection is very simple. Any problems experienced are often caused by other connections or components on these critical lines that interfere with the operation of the MPLAB ICD 4 In-Circuit Debugger system, as discussed in the following section.

3.3 Circuits That Will Prevent the Debugger From Functioning

The figure below shows the active debugger lines with some components that will prevent the MPLAB ICD 4 In-Circuit Debugger system from functioning.

Figure 3-5. Improper Circuit Components



In particular, these guidelines must be followed:

- Do not use pull-ups on PGC/PGD – they could disrupt the voltage levels.
- Do not use capacitors on PGC/PGD – they will prevent fast transitions on data and clock lines during programming and debugging communications, and slow programming times.
- Do not use capacitors on \overline{MCLR} – they will prevent fast transitions of V_{PP} . A simple pull-up resistor is generally sufficient.
- Do not use diodes on PGC/PGD – they will prevent bidirectional communication between the debugger and the target device.

3.4 Debugging

There are two steps to using the MPLAB ICD 4 In-Circuit Debugger system as a debugger. The first requires that an application is programmed into the target device (MPLAB ICD 4 can be used for this). The second uses the internal in-circuit debug hardware of the target Flash device to run and test the application program. These two steps are directly related to the MPLAB X IDE operations:

1. Programming the code into the target and activating special debug functions (see the next section for details).

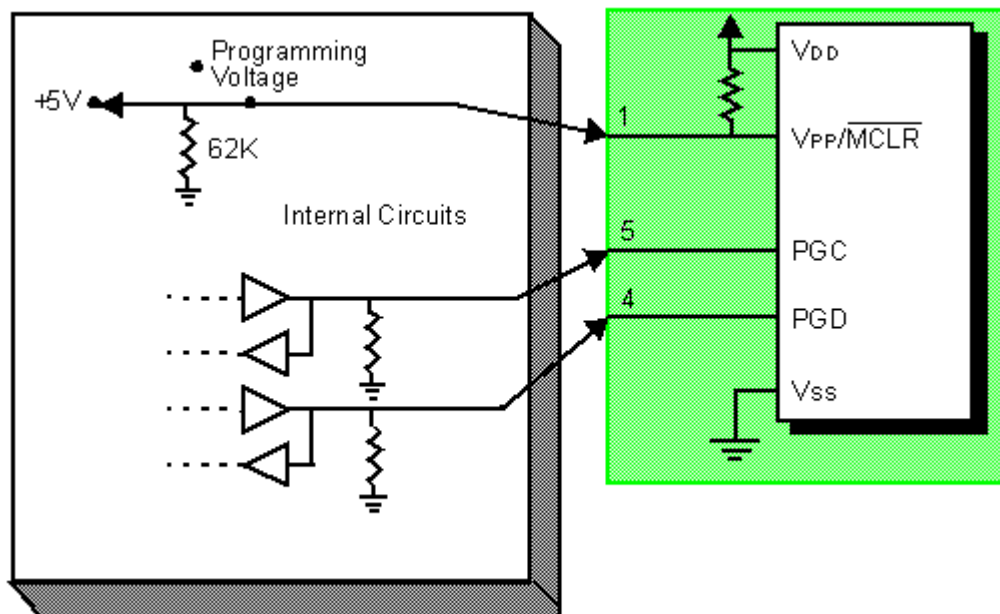
2. Using the debugger to set breakpoints and run.

Note: For more information, refer to the MPLAB X IDE WebHelp.

If the target device cannot be programmed correctly, the MPLAB ICD 4 In-Circuit Debugger will not be able to debug it.

A simplified diagram of some of the internal interface circuitry of the MPLAB ICD 4 In-Circuit Debugger is shown in the figure below.

Figure 3-6. Proper Connections for ICSP Programming



For programming, no clock is needed on the target device, but power must be supplied. When programming, the debugger puts programming levels on V_{PP}/\overline{MCLR} , sends clock pulses on PGC, and serial data via PGD. To verify that the part has been programmed correctly, clocks are sent to PGC and data is read back from PGD. This sequence confirms the debugger and device are communicating correctly.

3.5 Requirements for Debugging

To debug (set breakpoints, see registers, etc.) with the MPLAB ICD 4 In-Circuit Debugger system, there are critical elements that must be working correctly:

- The debugger must be connected to a computer. It must be powered by the computer via the USB cable and it must be communicating with the MPLAB X IDE software via the USB cable. Refer to the MPLAB X IDE Help file titled "Getting Started with MPLAB X IDE," and navigate through the "Tutorial" to the "Running and Debugging Code."
- The target device must have power and a functional, running oscillator. If for any reason the target device does not run, the MPLAB ICD 4 In-Circuit Debugger will not be able to debug it.
- The target device must have its Configuration words programmed correctly. These are set using the following: MPLAB X IDE.
 - The oscillator Configuration bits should correspond to RC, XT, etc., depending on the target design.
 - For some devices, the Watchdog Timer is enabled by default and needs to be disabled.
 - The target device must not have code protection enabled.
 - The target device must not have table read protection enabled.
 - For some devices with more than one PGC/PGD pair, the correct pair needs to be selected in the device's configuration word settings. This only refers to debugging, since programming will work through any PGC/PGD pair.

When the conditions listed above are met, you may proceed to the following:

- [3.5.1 Sequence of Operations Leading to Debugging](#)
- [3.5.2 Debugging Details](#)

3.5.1 Sequence of Operations Leading to Debugging

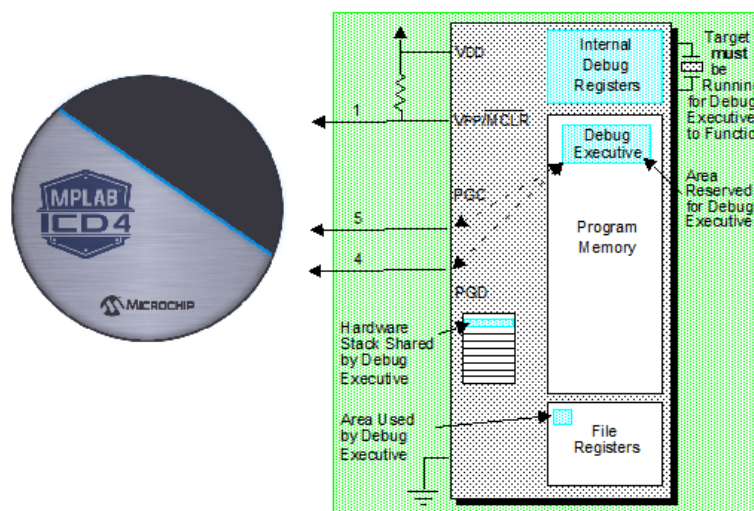
Given that the [3.5 Requirements for Debugging](#) are met, set the MPLAB ICD 4 In-Circuit Debugger as the current tool in MPLAB X IDE. Go to (*File > Project Properties*) to open the dialog, then under “Hardware Tool,” click **ICD 4**. The following actions can now be performed.

- When *Debug > Debug Main Project* is selected, the application code is programmed into the device’s memory via the ICSP protocol as described at the beginning of this section.
- A small “debug executive” program is loaded into the memory of the target device. Since some architectures require that the debug executive must reside in program memory, the application program must not use this reserved space. Some devices have special memory areas dedicated to the debug executive. Check your device data sheet for details.
- Special “in-circuit debug” registers in the target device are enabled by MPLAB X IDE. These allow the debug executive to be activated by the debugger. For more information on the device’s reserved resources, see the MPLAB X IDE *Help > Tool Help Contents > Hardware Tool Reference Help (Reserved Resources)*.
- The target device is run in Debug mode.

3.5.2 Debugging Details

The figure below illustrates the MPLAB ICD 4 In-Circuit Debugger system when it is ready to begin debugging.

Figure 3-7. MPLAB® ICD 4 In-Circuit Debugger Ready to Begin Debugging



To find out whether an application program will run correctly, a breakpoint is typically set early in the program code. When a breakpoint is set from the user interface of MPLAB X IDE, the address of the breakpoint is stored in the special internal debug registers of the target device. Commands on PGC and PGD communicate directly to these registers to set the breakpoint address.

Next, the *Debug > Debug Main Project* function is usually selected in MPLAB X IDE. The debugger tells the debug executive to run. The target starts from the Reset vector and executes until the Program Counter reaches the breakpoint address that was stored previously in the internal debug registers.

After the instruction at the breakpoint address is executed, the in-circuit debug mechanism of the target device “fires” and transfers the device’s program counter to the debug executive (like an interrupt) and the user’s application is effectively halted. The debugger communicates with the debug executive via PGC and PGD, gets the breakpoint status information, and sends it back to MPLAB X IDE. MPLAB X IDE then sends a series of queries to the debugger to get information about the target device, i.e., file register contents and the state of the CPU. These queries are performed by the debug executive.

The debug executive runs like an application in program memory. It uses some locations on the stack for its temporary variables. If the device does not run, for whatever reason (no oscillator, faulty power supply connection,

shorts on the target board, etc.), then the debug executive cannot communicate to the MPLAB ICD 4 In-Circuit Debugger, and MPLAB X IDE will issue an error message.

Another way to set a breakpoint is to select *Debug > Pause*. This toggles the PGC and PGD lines so that the in-circuit debug mechanism of the target device switches the Program Counter from the user's code in program memory to the debug executive. Again, the target application program is effectively halted, and MPLAB X IDE uses the debugger communications with the debug executive to interrogate the state of the target device.

3.6 Programming

Note: For information on programming, refer to the MPLAB X IDE WebHelp.



Notice: For header support, see the latest Release Notes for MPLAB ICD 4 in MPLAB X IDE.

In the MPLAB X IDE, use the MPLAB ICD 4 as a programmer to program a non-ICE/-ICD device, that is, a device not on a header board. Set the MPLAB ICD 4 In-Circuit Debugger as the current tool (click the Debug Tool ICD 4 in the navigation window, then select *File > Project Properties* from the main menu to open the dialog, then under "Hardware Tool," click **ICD 4**) to perform these actions:

- When *Run > Run Main Project* icon (see below) is selected, the application code is programmed into the device's memory via the ICSP protocol. No clock is required while programming and all modes of the processor can be programmed – including code protect, Watchdog Timer enabled, and table read protect.

Figure 3-8. Run Main Project Icon



- A small "program executive" program may be loaded into the high area of program memory for some target devices.
- Special "in-circuit debug" registers in the target device are disabled by MPLAB X IDE, along with all debug features. This means that a breakpoint cannot be set and register contents cannot be seen or altered.
- The target device is run in Release mode. As a programmer, the debugger can only toggle the MCLR line to Reset and start the target device.

3.7 Resources Used by the Debugger

For a complete list of resources used by the debugger for your device, see the WebHelp file in MPLAB X IDE for the MPLAB ICD 4 In-Circuit Debugger. From the MPLAB X IDE "Learn & Discover" page, click **Users Guide & Release Notes**, and then click the link for the "Reserved Resources for Device Family and Tool."

4. Debugger Usage

The following topics provide information on how to install and use the MPLAB ICD 4 In-Circuit Debugger.

4.1 Installation and Setup

Refer to the online Help file “Getting Started with MPLAB X IDE” for details on installing the IDE and setting up the debugger to work with it.

In summary:

1. Install MPLAB X IDE.



Tip: Tutorial topics are available in the MPLAB X IDE online Help that is accessible from the main menu bar *Help > Tool Help Contents > MPLAB X IDE Help > Tutorial*.

2. Connect the MPLAB ICD 4 to the computer and allow the default USB drivers to install. For more information on target connections, see section 3. [Operation](#).



Important: The debugger cannot power a target board. An external power supply must be used. See section [4.6.3 Powering the Target Board](#).

3. Select which language toolsuite/compiler you want to use for development and install it on your computer.
4. Launch MPLAB X IDE and open the online Help (*Help > Tool Help Contents > MPLAB X IDE Help > Tutorial*) for detailed instructions on creating and setting up a new project and running and debugging code.

Items of note:

1. Each debugger contains a unique identifier which, when first installed, will be recognized by the operating system, regardless of the computer USB port used.
2. MPLAB X IDE operation connects to the hardware tool at run time (Run or Debug Run). To always be connected to the hardware tool, see *Tools > Options*, **Embedded** button, **Generic Settings** tab, “Maintain active connection to hardware tool” check box.
3. Configuration bits can only be viewed in the Configuration Bits window. To set them in code, select *Window > Target Memory Views*. Then select “Configuration Bits” from the Memory drop list and select “Read/Write” from the Format drop list to enable access to the settings.



4.2 Debug Tutorial

Refer to the MPLAB X IDE Help file titled “Getting Started with MPLAB X IDE,” and navigate through the “Tutorial” to the “Running and Debugging Code” section.

4.3 Quick Debug/Program Reference

The following table is a quick reference for using the MPLAB ICD 4 In-Circuit Debugger as either a debugging or programming tool.

Table 4-1. Debug vs. Program Operation

Item	Debug	Program
Needed Hardware	A computer and target application (Microchip demo board or your own design).	
	Debugger, USB cable, and power supply (if needed).	
	Device with on-board debug circuitry or debug header with special -ICE device.	Device (with or without on-board debug circuitry).
MPLAB X IDE selection	Project Properties, ICD 4 as Hardware Tool	
	Debug Main Project icon. 	Make and Program Device icon. 
Program Operation	Programs application code into the device. Depending on the selections on the Project Properties dialog, this can be any range of program memory. In addition, a small debug executive is placed in program memory and other debug resources are reserved.	Programs application code into the device. Depending on the selections on the Project Properties dialog, this can be any range of program memory.
Debug Features Available	All for device – breakpoints, etc.	N/A
Serial Quick-Time Programming (SQTP)	N/A	Use the MPLAB IPE to generate the SQTP file.
Command-line Operation	Use MDB command line utility, found by default in: C:\Program Files (x86)\Microchip\MPLABX\vx.xx\mplab_platform\bin\mdb.bat	Use IPECMD, found by default in: C:\Program Files (x86)\Microchip\MPLABX\<vx.xx\mplab_platform\mplab_ipe\ipecmd.exe.

4.4 Debugger Limitations

For a complete list of debugger limitations for your device, see the online Help file in MPLAB X IDE ([Help > Tool Help Contents > Hardware Tool Reference Help > Limitations - Emulators and Debuggers](#)).

4.5 Connecting the Target Board

1. Connect the Mini-B USB cable between the debugger and the computer, if not already connected.
2. Attach the communication cable(s) between debugger and target.
3. Connect power to target or debugger.
Note: In MPLAB X IDE, you can select the source from which to power the target. In order to power the target from the MPLAB ICD 4 debugger, the power supply must be connected to the debugger.

See [3.1 Debugger to Target Communication](#) for more details and a diagram.

Figure 4-1. Powering the Target Directly

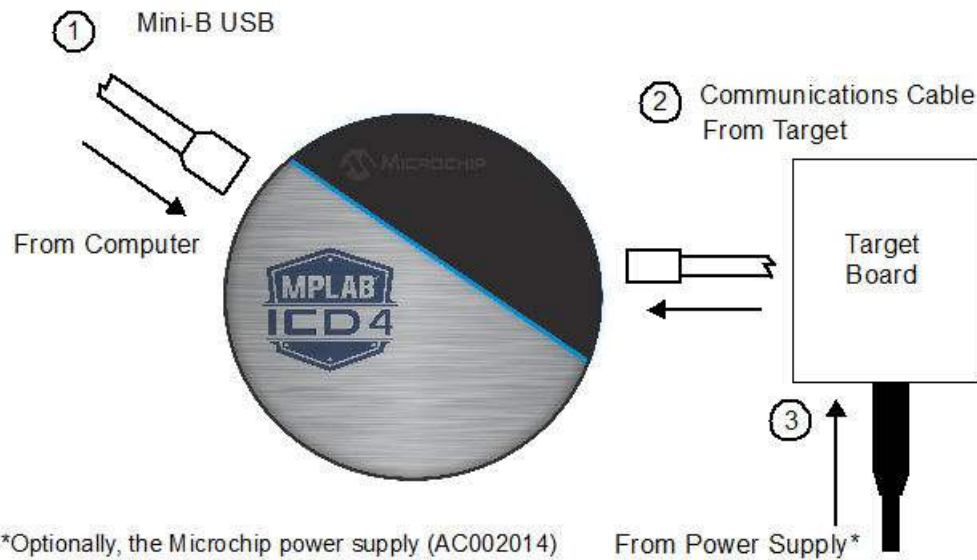
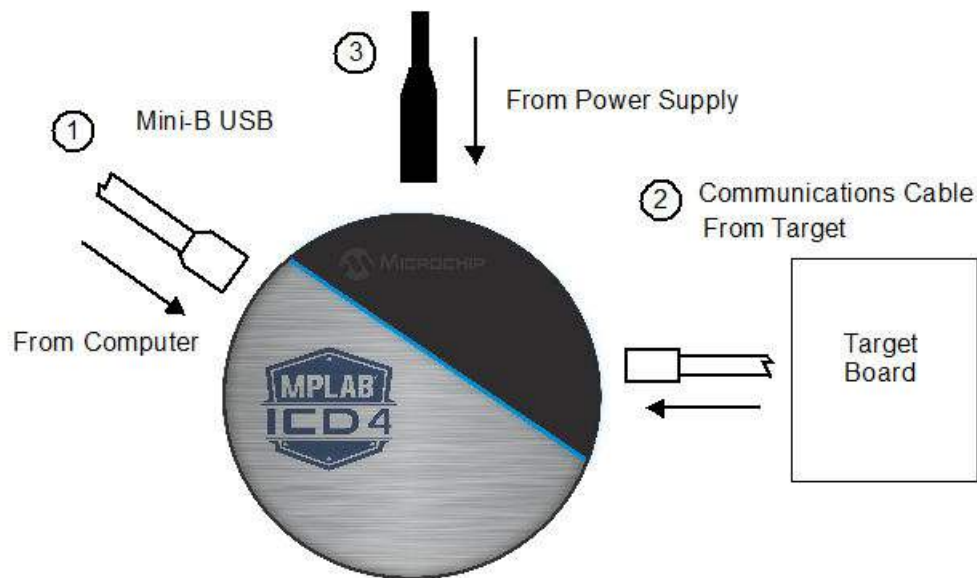


Figure 4-2. Powering the Target Through the Debugger



4.6 Setting Up the Target Board

The target must be set up for the type of target device to be used.

4.6.1 Using Production Devices

For production devices, the debugger may be connected directly to the target board. The device on the target board must have built-in debug circuitry in order to debug with the MPLAB ICD 4 In-Circuit Debugger.

The target board must have a connector to accommodate the communications chosen for the debugger. For connection information, see [3.1 Debugger to Target Communication](#).

4.6.2 Using ICE Devices



Notice: For header support, see the latest Release Notes for MPLAB ICD 4 in MPLAB X IDE.

For ICE devices, an ICE header board is required. The header board contains the hardware that is necessary to emulate a specific device or family of devices. For more information on ICE headers, see the “Processor Extension Pak and Header Specification” (DS50001292).

A transition socket is used with the ICE header to connect the header to the target board. Transition sockets are available in various styles to allow a common header to be connected to one of the supported surface mount package styles. For more information on transition sockets, see the “Transition Socket Specification” (DS50001194).

Header board layout will be different for headers or processor extension paks. For connection information, see [3.1 Debugger to Target Communication](#).

4.6.3 Powering the Target Board

There are two configurations for powering MPLAB ICD 4 and the target board:

- The target board is powered via an external power supply.
- The target board is powered through the MPLAB ICD 4, which is connected to an external power supply.





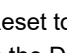


An external power supply, Part Number AC002014, can be purchased from Microchip Direct at www.microchipdirect.com/product/search/all/AC002014.

If you have not already done so, connect the MPLAB ICD 4 to the target board using the appropriate cables (see [4.5 Connecting the Target Board](#)). Then power the target board.

4.7 Starting and Stopping Debugging

Note: Refer to the MPLAB X IDE WebHelp for information on menu option icons.

To debug an application in MPLAB X IDE, you must create a project that contains your source code so that the code may be built, programmed into your device, and executed as specified below:

- To run your code, select either Debug > Debug Main Project or  from the Run toolbar.
- To halt your code, select either Debug > Pause or  from the Debug toolbar.
- To run your code again, select either Debug > Continue or  from the Debug toolbar.
- To step through your code, select either Debug > Step Into or  from the Debug toolbar. Be careful not to step into a Sleep instruction or you will have to perform a processor Reset to resume emulation.
- To step over a line of code, select either Debug > Step Over or  from the Debug toolbar.
- To end code execution, select either Debug > Finish Debugger Session or  from the Debug toolbar.
- To perform a processor Reset on your code, select either Debug > Reset or  from the Debug toolbar. Additional Resets, such as POR/BOR, MCLR, and System, may be available, depending on the device. Refer to the product data sheet for more information.

4.8 Viewing Processor Memory and Files

MPLAB X IDE provides several windows for viewing debug and memory information. These are selectable from the Window menu. See the MPLAB X IDE WebHelp for more information on using these windows.

- [Window > Target Memory Views](#) - view data (Data Memory) and code (Execution Memory) in device memory. Other memory can also be viewed as defined by the device including Peripherals, Configuration Bits, CPU Registers, External EBI Memory, External SQR Memory, User ID Memory, etc.
- [Window > Debugging](#) - view debug information. Select from Variables, Watches, Call Stack, Breakpoints, Stopwatch, and many others.

To view your source code, locate the source code file in the Projects window and double-click to open it in a Files window. Code in this window is color-coded according to the processor and build tool that you have selected. To change the style of color-coding, select [Tools > Options](#), **Fonts & Colors**, **Syntax** tab.

4.9 Breakpoints and Stopwatch

Use breakpoints to halt code execution at specific lines in your code. Use the stopwatch with breakpoints to time code execution. The following sections cover breakpoints and stopwatch uses.

4.9.1 Breakpoint Resources

In 16-bit devices, breakpoints, data captures, and run-time watches use the same resources. Therefore, the available number of breakpoints is actually the available number of combined breakpoints/triggers.

In 32-bit devices, breakpoints use different resources than data captures and run-time watches. Therefore, the available number of breakpoints is independent of the available number of triggers.

The number of hardware and software breakpoints available and/or used is displayed in the Dashboard window ([Window > Dashboard](#)). See the MPLAB X IDE online Help file for more on this feature. Not all devices have software breakpoints.

For limitations on breakpoint operation, including the general number of hardware breakpoints per device, and hardware breakpoint skidding amounts, refer to the online Help file in MPLAB X IDE for debugger limitations ([Help > Help Contents > Hardware Tool Reference > Limitations - Emulators and Debuggers](#)).

4.9.2 Hardware or Software Breakpoint Selection

To select hardware or software breakpoints:

1. Select your project in the Projects window. Then select [File > Project Properties](#) or right click and select **Properties**.
2. In the Project Properties dialog (under Categories), select **ICD4**.
3. Under Option Categories, select **Debug Options**.
4. Select **Use software breakpoints** to use software breakpoints. Clear the selection to use hardware breakpoints.

Note: Using software breakpoints for debugging, impacts device endurance. Therefore, it is recommended that devices used in this manner are not be used as production parts.

To help you decide which type of breakpoints to use (hardware or software), the following table compares the features of each.

Table 4-2. Hardware vs. Software Breakpoints

Feature	Hardware Breakpoints	Software Breakpoints
Number of breakpoints	Limited	Unlimited
Breakpoints written to*	Internal Debug Registers	Flash Program Memory
Breakpoints applied to**	Program Memory/Data Memory	Program Memory only
Time to set breakpoints	Minimal	Dependent on oscillator speed, time to program Flash Memory, and page size
Breakpoint skidding	Most devices. See the online Help, Limitations section, for details.	No

.....continued

Feature	Hardware Breakpoints	Software Breakpoints
* Where information about the breakpoint is written in the device.		
** What kind of device feature applies to the breakpoint. This is where the breakpoint is set.		

4.9.3 Breakpoint and Stopwatch Usage

Breakpoints halt execution of code. To determine the time between the breakpoints, use the stopwatch.

Refer to the MPLAB X IDE WebHelp for instructions on how to set up and use breakpoints and the stopwatch.

5. Troubleshooting

If you are experiencing problems with MPLAB ICD 4 In-Circuit Debugger operation, the following sections are provided to help.

5.1 Some Questions to Answer First

1. **Which device are you working with?**
Often an upgrade to a newer version of MPLAB X IDE is required to support newer devices.
2. **Are you using a Microchip demo board or one of your own design? And, have you followed the guidelines for resistors/capacitors for communications connections?**
See section 3. [Operation](#).
3. **Have you powered the target?**
An external power supply must be connected to the target (preferred) or the debugger.
4. **Are you using a USB hub in your setup? Is it powered?**
If you continue to have problems, try using the debugger without the hub (plugged directly into the computer).
5. **Are you using the standard communication cable (RJ-11 type) shipped with the debugger?**
If you have made a longer cable, it could cause communications errors.
6. **Are you using the USB cable shipped with the debugger?** Other USB cables may be of poor quality, too long or do not support USB Communication.

5.2 Top Reasons Why You Can't Debug

1. **Oscillator not working.** Check your Configuration bits setting for the oscillator. If you are using an external oscillator, try using an internal oscillator. If you are using an internal PLL, make sure your PLL settings are correct.
2. **No power to the target board.** Check the power cable connection.
3. **Incorrect V_{DD} voltage.** The V_{DD} voltage is outside the specifications for this device. See the device programming specification for details.
4. **Physical disconnect.** The debugger has become physically disconnected from the computer and/or the target board. Check the communications cables' connections.
5. **Communications lost.** Debugger to PC communication has somehow been interrupted. Reconnect to the debugger in MPLAB X IDE.
6. **Device not seated.** The device is not properly seated on the target board. If the debugger is properly connected and the target board is powered, but the device is absent or not plugged in completely, you may receive the message:
Target Device ID (0x0) does not match expected Device ID (0x%x)
, where %x is the expected device ID.
7. **Device is code-protected.** Check your Configuration bits settings for code protection.
8. **No device debug circuitry.** The production device may not have debugging capabilities. Use a debug header instead. See the "*Processor Extension Pak and Debug Header Specification*" section (DS50001292) in [1.2 Recommended Reading](#).
9. **Application code corrupted.** The target application has become corrupted or contains errors. Try rebuilding and reprogramming the target application. Then initiate a Power-On-Reset of the target.
10. **Incorrect programming pins.** The PGC/PGD pin pairs are not correctly programmed in your Configuration bits (for devices with multiple PGC/PGD pin pairs).
11. **Additional setup required.** Other configuration settings are interfering with debugging. Any configuration setting that would prevent the target from executing code will also prevent the emulator from putting the code into Debug mode.
12. **Incorrect brown-out voltage.** Brown-out Detect voltage is greater than the operating voltage V_{DD}. This means the device is in Reset and cannot be debugged.
13. **Incorrect connections.** Review the guidelines in section 3. [Operation](#) for the correct communication connections.

14. **Invalid request.** The debugger cannot always perform the action requested. For example, the debugger cannot set a breakpoint if the target application is currently running.

5.3 Other Things to Consider

5.3.1 General


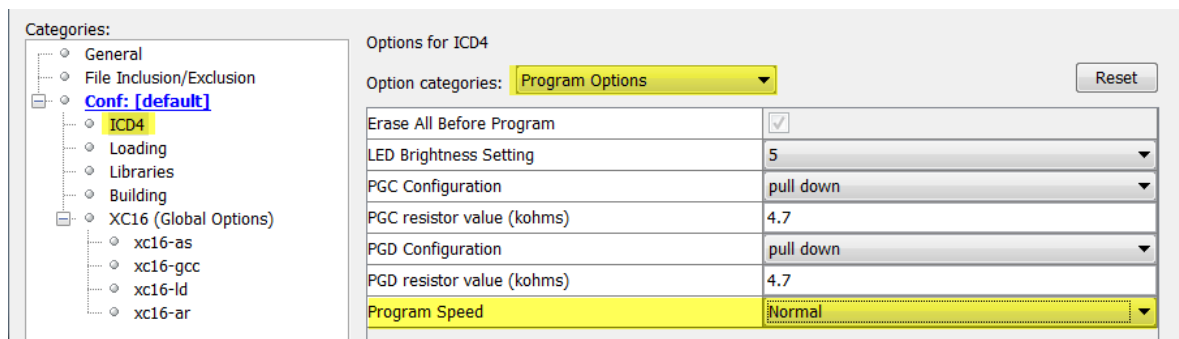
1. Use the ICD Test Interface module to verify that the debugger is functioning correctly (9.4 ICD Test Interface Module).
2. There may be a problem programming in general. As a test, switch to Run mode using the  icon and program the target with the simplest application possible (for example, a program to blink an LED). If the program will not run, then you know that something is wrong with the target setup.
3. It is possible that the target device has been damaged in some way (for example, over current). Development environments are notoriously hostile to components. Consider trying another target board.
4. Review debugger setup to ensure proper application setup. For more information, see 3. Operation.
5. Your program speed may be set too high for your circuit. In MPLAB X IDE, go to *File > Project Properties*, select **ICD4** in *Categories*, then *Program Options*, *Program Speed* and select a slower speed from the drop-down menu. The default is Normal (see figure below).

Figure 5-1. Program Speed Option

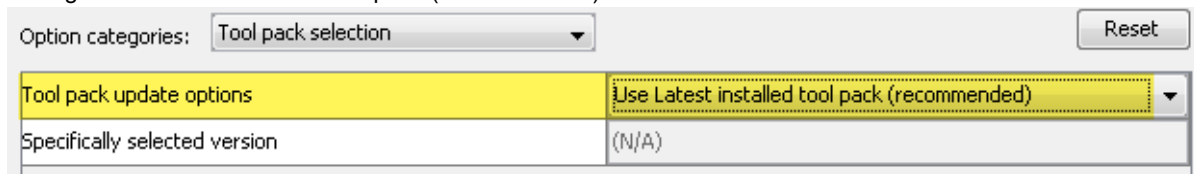



6. There may be certain situations where the debugger is not operating properly and firmware may need to be downloaded or the debugger needs to be reprogrammed. See the following sections to determine additional actions.

5.3.2 How to Invoke the Bootload Mode

If the MPLAB X IDE or MPLAB IPE cannot communicate with the debugger, the debugger may need to be forced into bootloader mode (download new firmware). Some possible reasons could be because of the following:

- If steps 1-5 in the 5.3.1 General section did not correct the debugger issue.
- If the MPLAB X IDE or MPLAB IPE cannot communicate with the debugger (for example, LEDs continually alternate between purple and blue).
- If the Project Properties, Option category for Tool Pack Selection has the *Tool pack update options* field set to "Use specific tool pack" but there is a newer version available with the MPLAB X IDE. In that case, change the setting to "Use latest installed tool pack (recommended)."



Then, click the **Refresh Debug Tool Status** icon  in the MPLAB X IDE dashboard display. If the debugger issue is not resolved, proceed to the following steps for bootloader mode.

Refer to 9.2.2 Indicator Lights (LEDs) for more information on LED modes and bootloader errors.

Perform the following steps to force the debugger into bootload mode:

1. Disconnect the Mini-B USB cable from the debugger.
2. Perform one of the following two methods to create a short:
Preferred Method: If you have the recommended Microchip 9V power supply (AC002014), plug it into the MPLAB ICD 4, but unplug the power cord from the wall or power strip.

OR

Alternative Method: If the recommended power supply is not being used, make sure no power is connected to the debugger. Then insert a small metal screwdriver into the 9V female barrel connector so that it contacts the center pin and metal tang at the bottom of the jack (shown below).



3. Plug the Mini-B USB cable back into the debugger.
4. As soon as both LEDs flash quickly, immediately unplug the power cable from the debugger or remove the screwdriver (within 1 second). If the LEDs are steady on purple, proceed to the next step. If the LEDs are blue, you did not perform the action fast enough and must repeat the process starting at step 1.
5. Try to reestablish communication with the MPLAB X IDE or MPLAB IPE. If successful, the latest firmware is automatically downloaded and the debugger goes through a built-in self-test. When complete, the LEDs are steady on blue and the debugger is ready for operation.

5.3.3 How to Use the Hardware Tool Emergency Boot Firmware Recovery Utility



Only use this utility to restore hardware tool boot firmware to its factory state. Use only if your hardware tool no longer functions on any machine.

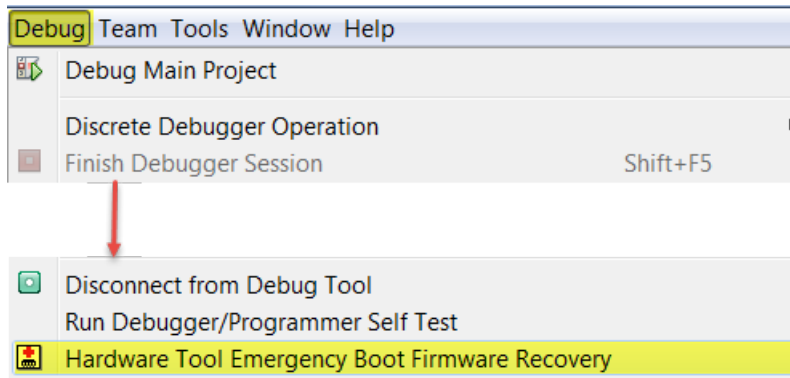
The debugger may need to be forced into recovery boot mode (reprogrammed) in rare situations; for example, if any of the following occurs when the debugger is connected to the computer:

- If the debugger has no LEDs lit.
- If the LEDs are cyan in color.
- If the procedure described in [5.3.2 How to Invoke the Bootload Mode](#) was not successful.



Important: YOU MUST USE MPLAB X IDE V4.15 OR GREATER TO USE THE EMERGENCY RECOVERY UTILITY.

Carefully follow the instructions found in MPLAB X IDE under the main menu options *Debug > Hardware Tool Emergency Boot Firmware Recovery*.



If the procedure was successful, the recovery wizard displays a success screen. The MPLAB ICD 4 will now be operational and able to communicate with the MPLAB X IDE. If the procedure failed, try it again. If it fails a second time, contact Microchip Support at support.microchip.com.

6. Frequently Asked Questions

Answers to frequently asked questions about the MPLAB ICD 4 In-Circuit Debugger system are covered in the following sections.

6.1 How Does it Work?

What's in the silicon that allows it to communicate with the MPLAB ICD 4 In-Circuit Debugger?

MPLAB ICD 4 In-Circuit Debugger can communicate with Flash silicon via the ICSP interface. It uses the debug executive located in test memory. For legacy 8-bit devices, the debug executive resides in Program memory.

How is the throughput of the processor affected by having to run the debug executive?

The debug executive doesn't run while in Run mode, so there is no throughput reduction when running your code, i.e., the debugger doesn't 'steal' any cycles from the target device.

How does MPLAB X IDE interface with the MPLAB ICD 4 In-Circuit Debugger to allow more features than older debuggers?

MPLAB ICD 4 In-Circuit Debugger communicates using the debug executive located in the test area. The debug executive is streamlined for more efficient communication. The debugger contains an FPGA, large SRAM Buffers (1Mx8), and a High-Speed USB interface. Program memory image is downloaded and is contained in the SRAM to allow faster programming. The FPGA in the debugger serves as an accelerator for interfacing with the device in-circuit debugger modules.

On traditional debuggers, the data must come out on the bus in order to perform a complex trigger on that data. Is this also required on the MPLAB ICD 4 In-Circuit Debugger? For example, could I halt, based on a flag going high?

Traditional debuggers use a special debugger chip (-ME) for monitoring. There is no -ME with the MPLAB ICD 4 In-Circuit Debugger, so there are no busses to monitor externally. With the MPLAB ICD 4 In-Circuit Debugger, rather than using external breakpoints, the built-in breakpoint circuitry of the debug engine is used – the busses and breakpoint logic are monitored inside the part.

Does the MPLAB ICD 4 In-Circuit Debugger have complex breakpoints?

Yes. You can break based on a value in a data memory location. You can also do sequenced breakpoints, where several events have to occur before it breaks. However, you can only do two sequences. You can also do the AND condition and do PASS counts.

What limitations are there with the standard cable?

The standard ICSP-RJ11 cable maximum clock frequency is approximately 15 MHz. Device interrogation during debugging occurs at frequencies below this rate regardless of the CPU clock rate.

However, some advanced functions are synchronous to the CPU bus cycle (like instrumented trace and data capture).

During data capture and when the CPU runs at its highest speed (40 MIPS for example), the actual clock rate through the cable would exceed 15 MHz. In these instances, trace and data capture cannot run reliably and the ICSP-RJ11 cable cannot be used.

Will this slow down the running of the program?


There is no cycle stealing with the MPLAB ICD 4 In-Circuit Debugger. The output of data is performed by the state machine in the silicon.

Is it possible to debug a dsPIC DSC device running at any speed?

The MPLAB ICD 4 In-Circuit Debugger is capable of debugging at any device speed as specified in the device's data sheet.

6.2 What's Wrong?

Performing a Verify fails after programming the device. Is this a programming issue?

If **Run Main Project** icon () is selected, the device will automatically run immediately after programming. Therefore, if your code changes the flash memory, verification could fail. To prevent the code from running after programming, select **Hold in Reset**.

My computer went into power-down/hibernate mode, and now my debugger won't work. What happened?

When using the debugger for prolonged periods of time, and especially as a debugger, be sure to disable the Hibernate mode in the Power Options Dialog window of your computer's operating system. Go to the **Hibernate** tab and clear or uncheck the "Enable hibernation" check box. This will ensure that all communication is maintained across all the USB subsystem components.

I set my peripheral to NOT freeze on halt, but it is suddenly freezing. What's going on?

For dsPIC30F/33F and PIC24F/H devices, a reserved bit in the peripheral control register (usually either bit 14 or 5) is used as a Freeze bit by the debugger. If you have performed a write to the entire register, you may have overwritten this bit (the bit is user-accessible in Debug mode).

To avoid this problem, write only to the bits you wish to change for your application (BTS, BTC) instead of to the entire register (MOV).

When using a 16-bit device, an unexpected Reset occurred. How do I determine what caused it?

Some things to consider:

- To determine a Reset source, check the RCON register.
- Handle traps/interrupts in an Interrupt Service Routine (ISR). You should include `trap.c` style code, i.e.,

```
void __attribute__((__interrupt__)) _OscillatorFail(void);
:
void __attribute__((__interrupt__)) _AltOscillatorFail(void);
:
void __attribute__((__interrupt__)) _OscillatorFail(void)
{
    INTCON1bits.OSCFAIL = 0;        //Clear the trap flag
    while (1);
}
:
void __attribute__((__interrupt__)) _AltOscillatorFail(void)
{
    INTCON1bits.OSCFAIL = 0;
    while (1);
}
:
```

- Use ASSERTs. For example: `ASSERT (IPL==7)`

7. Error Messages

The MPLAB ICD 4 In-Circuit Debugger produces various error messages; some are specific, some are informational, and others can be resolved with general corrective actions. In general, read any instructions under your error message. If those fail to fix the problem or if there are no instructions, refer to the following sections.

7.1 Types of Error Messages

7.1.1 Corrupted/Outdated Installation Errors

Failed to download firmware

If the hex file exists:

- Reconnect and try again.
- If this does not work, the file may be corrupted. Reinstall MPLAB X IDE.

If the hex file does not exist:

- Reinstall MPLAB X IDE.

Unable to download debug executive

If you receive this error while attempting to debug:

1. Deselect the debugger as the debug tool.
2. Close your project and then close MPLAB X IDE.
3. Restart MPLAB X IDE and reopen your project.
4. Reselect the debugger as the debug tool and try to program the target device again.

Unable to download program executive

If you receive this error while attempting to program:

1. Deselect the debugger as the programmer.
2. Close your project and then close MPLAB X IDE.
3. Restart MPLAB X IDE and reopen your project.
4. Reselect the debugger as the programmer and try to program the target device again.

If these actions fail to fix the problem, see [7.2.4 Corrupted Installation Actions](#).

7.1.2 Debug Failure Errors

The target device is not ready for debugging. Please check your Configuration bit settings and program the device before proceeding.

You will receive this message if you try to Run before programming your device. If you receive this message after trying to Run, or immediately after programming your device:

The device is code protected.


The device on which you are attempting to operate (read, program, blank check, or verify) is code protected, that is, the code cannot be read or modified. Check your Configuration bits setting for code protection (*Windows > Target Memory Views > Configuration Bits*).

Disable code protection, set or clear the appropriate Configuration bits in code or in the Configuration Bits window according to the device data sheet. Then erase and reprogram the entire device.

If these actions fail to fix the problem, see [7.2.2 Debugger to Target Communication Error Actions](#) and [7.2.6 Debug Failure Actions](#).

7.1.3 Miscellaneous Errors

ICD 4 is busy. Please wait for the current operation to finish.

1. Wait. Give the debugger time to finish any application tasks. Then try to deselect the debugger again.
2. Select  (Finish Debugger Session) to stop any running applications. Then try to deselect the debugger again.
3. Unplug the debugger from the computer. Then try to deselect the debugger again.
4. Shut down MPLAB X IDE.

7.1.4 List of Error Messages

Table 7-1. Alphabetized List Of Error Messages

AP_VER=Algorithm Plugin Version.
AREAS_TO_PROGRAM=The following memory area(s) will be programmed:
AREAS_TO_READ=The following memory area(s) will be read:
AREAS_TO_VERIFY=The following memory area(s) will be verified:
BLANK_CHECK_COMPLETE=Blank check complete, device is blank.
BLANK_CHECKING=Blank Checking...
BOOT_CONFIG_MEMORY=boot config memory.
BOOT_VER=Boot Version.
BOOTFLASH=boot flash.
BP_CANT_B_DELETED_WHEN_RUNNING=software breakpoints cannot be removed while the target is running. The selected breakpoint will be removed the next time the target halts.
CANT_CREATE_CONTROLLER=Unable to find the tool controller class.
CANT_FIND_FILE=Unable to locate file %s.
CANT_OP_BELOW_LVPTHRESH=The voltage level selected %f, is below the minimum erase voltage of %f. The operation cannot continue at this voltage level.
CANT_PRESERVE_PGM_MEM=Unable to preserve program memory: Invalid range Start = %08x, End = %08x.
CANT_READ_REGISTERS=Unable to read target register(s).
CANT_READ_SERIALNUM=Unable to read the device serial number.
CANT_REMOVE_SWPS_BUSY=The ICD 4 is currently busy and cannot remove software breakpoints at this time.
CHECK_4_HIGH_VOLTAGE_VPP=CAUTION: Check that the device selected in MPLAB IDE (%s) is the same one that is physically attached to the debug tool. Selecting a 5V device when a 3.3V device is connected can result in damage to the device when the debugger checks the device ID. Do you wish to continue?
CHECK_PGM_SPEED=You have set the program speed to %s. The circuit on your board may require you to slow the speed down. Please change the setting in the tool properties to low and try the operation again.
COMM_PROTOCOL_ERROR=A communication error with the debug tool has occurred. The tool will be reset and should re-enumerate shortly.
COMMAND_TIME_OUT=ICD 4 has timeout out waiting for a response to command %02x.
CONFIGURATION=configuration.
CONFIGURATION_MEMORY=configuration memory.
CONNECTION_FAILED=Connection Failed.
CORRUPTED_STREAMING_DATA=Invalid streaming data has been detected. Run time watch or trace data may no longer be valid. It is recommended that you restart your debug session.

CPM_TO_TARGET_FAILED=An exception occurred during ControlPointMediator.ToTarget().
DATA_FLASH_MEMORY=Data Flash memory.
DATA_FLASH=data flash.
DEBUG_INFO_PGM_FAILED=Could not enter debug mode because programming the debug information failed. Invalid combinations of config bits may cause this problem.
DEBUG_READ_INFO=Reading the device while in debug mode may take a long time due to the target oscillator speed. Reducing the range that you'd like to read (under the ICD 4 project properties) can mitigate the situation. The abort operation can be used to terminate the read operation if necessary.
DEVICE_ID_REVISION=Device Id Revision.
DEVICE_ID=Device Id.
DEVID_MISMATCH=Target Device ID (0x%x) is an Invalid Device ID. Please check your connections to the Target Device.
DISCONNECT_WHILE_BUSY=The tool was disconnected while it was busy.
EEDATA_MEMORY=EEData memory.
EEDATA=EEData.
EMULATION_MEMORY_READ_WRITE_ERROR=An error occurred while trying to read/write MPLAB's emulation memory: Address=%08x.
END=end.
ENSURE_SELF_TEST_READY=Please ensure the RJ-11 cable is connected to the test board before continuing.
ENSURE_SELF_TEST_READY=Please ensure the RJ-11 cable is connected to the test board before continuing. Would you like to continue?
ENV_ID_GROUP=Device Identification.
ERASE_COMPLETE=Erase successful.
ERASING=Erasing...
FAILED_2_PGM_DEVICE=Failed to program device.
FAILED_CREATING_COM=Unable create communications object (RI4Com).
FAILED_CREATING_DEBUGGER_MODULES=Initialization failed: Failed creating the debugger module.
FAILED_ESTABLISHING_COMMUNICATION=Unable to establish tool communications.
FAILED_GETTING_DBG_EXEC=A problem occurred while trying to load the debug executive.
FAILED_GETTING_DEVICE_INFO=Initialization failed: Failed while retrieving device database (.pic) information.
FAILED_GETTING_EMU_INFO=Initialization failed: Failed getting emulation database information.
FAILED_GETTING_HEADER_INFO=Initialization failed: Failed getting header database information.
FAILED_GETTING_PGM_EXEC=A problem occurred while trying to load the program executive.
FAILED_GETTING_TEX=Unable to obtain the ToolExecMediator.
FAILED_GETTING_TOOL_INFO=Initialization failed: Failed while retrieving tool database (.ri4) information.
FAILED_INITING_DATABASE=Initialization failed: Unable to initialize the too database object.
FAILED_INITING_DEBUGHANDLER=Initialization failed: Unable to initialize the DebugHandler object.
FAILED_PARSING_FILE=Failed to parse firmware file: %s.
FAILED_READING_EMULATION_REGS=Failed to read emulation memory.

FAILED_READING_MPLAB_MEMORY=Unable to read %s memory from %0x08 to %0x08.
FAILED_SETTING_SHADOWS=Failed to properly set shadow registers.
FAILED_SETTING_XMIT_EVENTS=Unable to synchronize run time data semiphores.
FAILED_STEPPING=Failed while stepping the target.
FAILED_TO_GET_DEVID=Failed to get Device ID. Please make sure the target device is attached and try the operation again.
FAILED_TO_INIT_TOOL=Failed to initialize ICD 4.
FAILED_UPDATING_BP=Failed to update breakpoint:\nFile: %s\naddress: %08x.
FAILED_UPDATING_FIRMWARE=Failed to properly update the firmware.
FILE_REGISTER=file register.
FIRMWARE_DOWNLOAD_TIMEOUT=ICD 4 timeout out during the firmware download process.
FLASH_DATA_MEMORY=Flash data memory.
FLASH_DATA=flash data.
FPGA_VER=FPGA Version.
FRCINDEBUG_NEEDS_CLOCKSWITCHING=To use FRC in debug mode the clock switching configuration bits setting must be enabled. Please enable clock switching and retry the requested operation.
FW_DOESNT_SUPPORT_DYNBP=The current ICD 4 firmware does not support setting run time breakpoints for the selected device. Please download firmware version %02x.%02x.%02x or higher.
GOOD_ID_MISMATCH=Target Device ID (0x%x) is a valid Device ID but does not match the expected Device ID (0x%x) as selected.
HALTING=Halting...
HIGH=High.
HOLDMCLR_FAILED=Hold in reset failed.
IDS_SELF_TEST_BOARD_PASSED=ICD4 is functioning properly. If you are still having problems with your target circuit please check the Target Board Considerations section of the online help.
IDS_ST_CLKREAD_ERR=Test interface PGC clock line read failure.
IDS_ST_CLKREAD_NO_TEST=Test interface PGC clock line read not tested.
IDS_ST_CLKREAD_SUCCESS=Test interface PGC clock line read succeeded.
IDS_ST_CLKWRITE_ERR=Test interface PGC clock line write failure. Please ensure that the tester is properly connected.
IDS_ST_CLKWRITE_NO_TEST=Test interface PGC clock line write not tested.
IDS_ST_CLKWRITE_SUCCESS=Test interface PGC clock line write succeeded.
IDS_ST_DATREAD_ERR=Test interface PGD data line read failure.
IDS_ST_DATREAD_NO_TEST=Test interface PGD data line read not tested.
IDS_ST_DATREAD_SUCCESS=Test interface PGD data line read succeeded.
IDS_ST_DATWRITE_ERR=Test interface PGD data line write failure.
IDS_ST_DATWRITE_NO_TEST=Test interface PGD data line write not tested.
IDS_ST_DATWRITE_SUCCESS=Test interface PGD data line write succeeded.
IDS_ST_LVP_ERR=Test interface LVP control line failure.

IDS_ST_LVP_NO_TEST=Test interface LVP control line not tested.
IDS_ST_LVP_SUCCESS=Test interface LVP control line test succeeded.
IDS_ST_MCLR_ERR=Test interface MCLR level failure.
IDS_ST_MCLR_NO_TEST=Test interface MCLR level not tested.
IDS_ST_MCLR_SUCCESS=Test interface MCLR level test succeeded.
IDS_TEST_NOT_COMPLETED=Interface test could not be completed. Please contact your local FAE/CAE to SAR the unit.
INCOMPATIBLE_FW=The REAL ICE firmware is not compatible with the current version of MPLAB X software.
INVALID_ADDRESS=The operation cannot proceed because the %s address is outside the device's address range of 0x%08x - 0x%08x.
MEM_RANGE_ERROR_BAD_END_ADDR=Invalid program range end address %s received. Please check the manual program ranges on the debug tool's, "Memories to Program" property page.
MEM_RANGE_ERROR_BAD_START_ADDR=Invalid program range start address %s received. Please check the manual program ranges on the debug tool's, "Memories to Program" property page.
MEM_RANGE_ERROR_END_LESSTHAN_START=Invalid program range received: end address %s < start address %s. Please check the manual program ranges on the debug tool's, "Memories to Program" property page.
MEM_RANGE_ERROR_ENDADDR_NOT_ALIGNED=Invalid program range received: end address %s is not aligned on a proper 0x%x address boundary. Please check the manual program ranges on the debug tool's, "Memories to Program" property page.
MEM_RANGE_ERROR_STARTADDR_NOT_ALIGNED=Invalid program range received: start address %s is not aligned on a proper 0x%x address boundary. Please check the manual program ranges on the debug tool's, "Memories to Program" property page.
MEM_RANGE_ERROR_UNKNOWN=An unknown error has occurred while trying to validate the user entered memory ranges.
MEM_RANGE_ERROR_WRONG_DATABASE=Unable to access data object while validating user entered memory ranges.
MEM_RANGE_OUT_OF_BOUNDS=The selected program range, %s, does not fall within the proper range for the memory area selected. Please check the manual program ranges on the debug tool's, "Memories to Program" property page.
MEM_RANGE_STRING_MALFORMED=The memory range(s) entered on the, "Memories to Program" property page (%s) is not formatted properly.
MISSING_BOOT_CONFIG_PARAMETER=Unable to find boot config start/end address in database.
MUST_SET_LVPBIT_WITH_LVP=The low voltage programming feature requires the LVP configuration bit to be enabled on the target device. Please enable this configuration bit and try the operation again.
NEW_FIRMWARE=Now Downloading new Firmware for target device: %s
NMMR=NMMR
NO_DYNAMIC_BP_SUPPORT_AT_ALL=The current device does not support the ability to set breakpoints while the device is running. The breakpoint will be applied prior to the next time you run the device.
NO_PGM_HANDLER=Cannot program software breakpoints. The program handler has not been initialized.
NORMAL=Normal.
OP_FAILED_FROM_CP=The requested operation failed because the device is code protected.
OpenIDE-Module-Name=ICD 4
OPERATION_NOT_SUPPORTED=This operation is not supported for the selected device.

OUTPUTWIN_TITLE=ICD 4.

PERIPHERAL=Peripheral.

POWER_ERROR_NO_9V=The configuration is set for the tool to provide power to the target but the 9V power jack is not detected. Please ensure the external 9V barrel jack is connected to the tool.

POWER_ERROR_NO_POWER_SRC=The configuration is set for the target board to supply its own power but no voltage has been detected on VDD. Please ensure you have your target powered up and try again.

POWER_ERROR_POWER_SRC_CONFLICT=The configuration is set for the tool to provide power to the target but there is voltage already detected on VDD. This is a conflict. Please ensure your target is not supplying voltage to the tool and try again.

POWER_ERROR_SLOW_DISCHARGE= There seems to be excessive capacitance on VDD causing a slower system discharge and shutdown. Consider minimizing overall capacitance loading or use power from your target to avoid discharge delays.

POWER_ERROR_UNKNOWN=An unknown power error has occurred.

POWER_ERROR_VDD_TOO_HIGH=The VDD voltage desired is out of range. It exceeds the maximum voltage of 5.5V.

POWER_ERROR_VDD_TOO_LOW=The VDD voltage desired is out of range. It is below the minimum voltage of 1.5V.

POWER_ERROR_VPP_TOO_HIGH=The VPP voltage desired is out of range. It exceeds the maximum voltage of 14.2V.

POWER_ERROR_VPP_TOO_LOW=The VPP voltage desired is out of range. It is below the minimum voltage of 1.5V.

PRESERVE_MEM_RANGE_ERROR_BAD_END_ADDR=Invalid preserve range end address %s received. Please check the manual program ranges on the debug tool's, "Memories to Program" property page.

PRESERVE_MEM_RANGE_ERROR_BAD_START_ADDR=Invalid preserve range start address %s received. Please check the manual program ranges on the debug tool's, "Memories to Program" property page.

PRESERVE_MEM_RANGE_ERROR_END_LESSTHAN_START=Invalid preserve range received: end address %s < start address %s. Please check the manual program ranges on the debug tool's, "Memories to Program" property page.

PRESERVE_MEM_RANGE_ERROR_ENDADDR_NOT_ALIGNED=Invalid preserve range received: end address %s is not aligned on a proper 0x%x address boundary. Please check the manual program ranges on the debug tool's, "Memories to Program" property page.

PRESERVE_MEM_RANGE_ERROR_STARTADDR_NOT_ALIGNED=Invalid preserve range received: start address %s is not aligned on a proper 0x%x address boundary. Please check the manual program ranges on the debug tool's, "Memories to Program" property page.

PRESERVE_MEM_RANGE_ERROR_UNKNOWN=An unknown error has occurred while trying to validate the user entered preserve ranges.

PRESERVE_MEM_RANGE_ERROR_WRONG_DATABASE=Unable to access data object while validating user entered memory ranges.

PRESERVE_MEM_RANGE_MEM_NOT_SELECTED=You have selected to preserve an area of memory but have not selected to program that area. Please check the preserved ranges on the debug tool's, "Memories to Program" property page, and make sure that any preserved memory is also designated to be programmed.

PRESERVE_MEM_RANGE_OUT_OF_BOUNDS=The selected preserve range, %s, does not fall within the proper range for the memory area selected. Please check the manual program ranges on the debug tool's, "Memories to Program" property page.

PRESERVE_MEM_RANGE_STRING_MALFORMED=The preserve memory range(s) entered on the, "Memories to Program" property page (%s) is not formatted properly.

PRESERVE_MEM_RANGE_WONT_BE_PROGRAMMED=Some or all of the preserve memory ranges (%s) entered on the, "Memories to Program" property page, do not fall under the indicated program range(s) (%s) for the memory selected. Please check the preserved ranges on the debug tool's, "Memories to Program" property page.
PROGRAM_COMPLETE=Programming/Verify complete.
PROGRAM_MEMORY=program memory.
PROGRAM=program.
PROGRAMMING_DID_NOT_COMPLETE=Programming did not complete.
READ_COMPLETE=Read complete.
READ_DID_NOT_COMPLETE=Read did not complete.
RELEASEMCLR_FAILED=Release from reset failed.
REMOVING_SWBPS_COMPLETE=Removing software breakpoints complete.
REMOVING_SWBPS=Removing software breakpoints...
RESET_FAILED=Failed to reset the device.
RESETTING=Resetting...
RUN_INTERRUPT_THREAD_SYNCH_ERROR=An internal run error has occurred. It is advised that you restart your debug session. You may continue running but certain run time features may no longer work properly.
RUN_TARGET_FAILED=Unable to run the target device.
RUNNING=Running.
SERIAL_NUM=Serial Number:\n
SETTING_SWBPS=Setting software breakpoints.....
STACK=stack.
START_AND_END_ADDR=start address = 0x%x, end address = 0x%x.
START=start.
TARGET_DETECTED=Target voltage detected.
TARGET_FOUND=Target device %s found.
TARGET_HALTED=Target Halted.
TARGET_NOT_READY_4_DEBUG=The target device is not ready for debugging. Please check your configuration bit settings and program the device before proceeding. The most common causes for this failure are oscillator and/or PGC/PGD settings.
TARGET_VDD=Target VDD:
TEST=test.
TOOL_IS_BUSY=ICD 4 is busy. Please wait for the current operation to finish.
TOOL_VDD=VDD:
TOOL_VPP=VPP:
UNABLE_TO_OBTAIN_RESET_VECTOR=ICD 4 was unable to retrieve the reset vector address. This indicates that no _reset symbol has been defined and may prevent the device from starting up properly.
UNKNOWN_MEMTYPE=Unknown memory type.
UNLOAD_WHILE_BUSY=ICD 4 was unloaded while still busy. Please unplug and reconnect the USB cable before using ICD 4 again.

UPDATING_APP=Updating firmware application...
UPDATING_BOOTLOADER=Updating firmware bootloader...
UPDATING_FPGA=Updating firmware FPGA...
USE_LVP_PROGRAMMING=NOTE: If you would like to program this device using low voltage programming, select Cancel on this dialog. Then go to the Real ICE node of the project properties and check the Enable Low Voltage Programming check box of the Program Options Option Category pane (low voltage programming is not valid for debugging operations).
USERID_MEMORY=User Id Memory.
USERID=user Id.
VERIFY_COMPLETE=Verification successful.
VERIFY_FAILED=Verify failed.
VERSIONS=Versions.
VOLTAGES=Voltages.
WOULD_YOU_LIKE_TO_CONTINUE=Would you like to continue?

7.2 General Corrective Actions

The general corrective actions in the following sections may solve your problem.

7.2.1 Read/Write Error Actions

If you receive a read or write error:

1. Did you click *Debug > Reset*? This may produce read/write errors.
2. Try the action again. It may be a one-time error.
3. Ensure that the target is powered and at the correct voltage levels for the device. See the device data sheet for required device voltage levels.
4. Ensure that the debugger-to-target connection is correct (PGC and PGD are connected).
5. For write failures, ensure that “Erase all before Program” is checked on the Program Options for the debugger (see section [8.2.3 Program](#)).
6. Ensure that the cable(s) are of the correct length.

7.2.2 Debugger to Target Communication Error Actions

If the MPLAB ICD 4 In-Circuit Debugger and the target device are *not* communicating with each other.

1. Select *Debug > Reset* and then try the action again.
2. Ensure that the cable(s) are of the correct length.

7.2.3 Debugger to Computer Communication Error Actions

If the MPLAB ICD 4 In-Circuit Debugger and MPLAB X IDE are not communicating with each other.

1. Unplug and then plug in the debugger.
2. Reconnect to the debugger.
3. Try the operation again. It is possible the error was a one-time event.
4. The version of MPLAB X IDE installed may be incorrect for the version of firmware loaded on the MPLAB ICD 4 In-Circuit Debugger. Follow the steps outlined in section [7.2.4 Corrupted Installation Actions](#).
5. There may be an issue with the computer USB port. See section [7.2.5 USB Port Communication Error Actions](#).

7.2.4 Corrupted Installation Actions

The problem is most likely caused by a incomplete or corrupted installation of MPLAB X IDE.

1. Uninstall all versions of MPLAB X IDE from the computer.
2. Reinstall the desired MPLAB X IDE version.
3. If the problem persists, contact Microchip Support.

7.2.5 USB Port Communication Error Actions

The problem is most likely caused by a faulty or non-existent communications port.

1. Reconnect to the MPLAB ICD 4 In-Circuit Debugger.
2. Make sure the debugger is physically connected to the computer on the appropriate USB port.
3. Make sure the appropriate USB port has been selected in the debugger options (see section [8.2 Debugger Options Selection](#)).
4. Make sure the USB port is not in use by another device.
5. If using a USB hub, make sure it is powered.
6. Make sure the USB drivers are loaded.

7.2.6 Debug Failure Actions

The MPLAB ICD 4 In-Circuit Debugger was unable to perform a debugging operation. There are numerous reasons why this might occur. See section [5. Troubleshooting](#).

7.2.7 Internal Error Actions

Internal errors are not expected and should not happen. They are used for internal Microchip development.

The most likely cause is a corrupted installation ([7.2.4 Corrupted Installation Actions](#)).

Another likely cause is exhausted system resources.

1. Try rebooting your system to free up memory.
2. Make sure you have a reasonable amount of free space on your hard drive (and that it is not overly fragmented).

If the problem persists, contact Microchip Support.

7.3 Information Messages

MPLAB ICD 4 In-Circuit Debugger informational messages are listed below:

IDS_SELF_TEST_BOARD_PASSED: ICD4 is functioning properly. If you are still having problems with your target circuit please check the Target Board Considerations section of the online Help.

See section [9.5 Target Board Considerations](#).

8. Debugger Function Summary

A summary of the MPLAB ICD 4 In-Circuit Debugger functions are contained in the following sections.

8.1 Debugger Selection and Switching

Use the Project Properties dialog to select or switch debuggers for a project. To switch, you must have more than one debugger connected to your computer. MPLAB X IDE will differentiate between the debuggers by displaying different serial numbers.

To select or change the debugger used for a project:

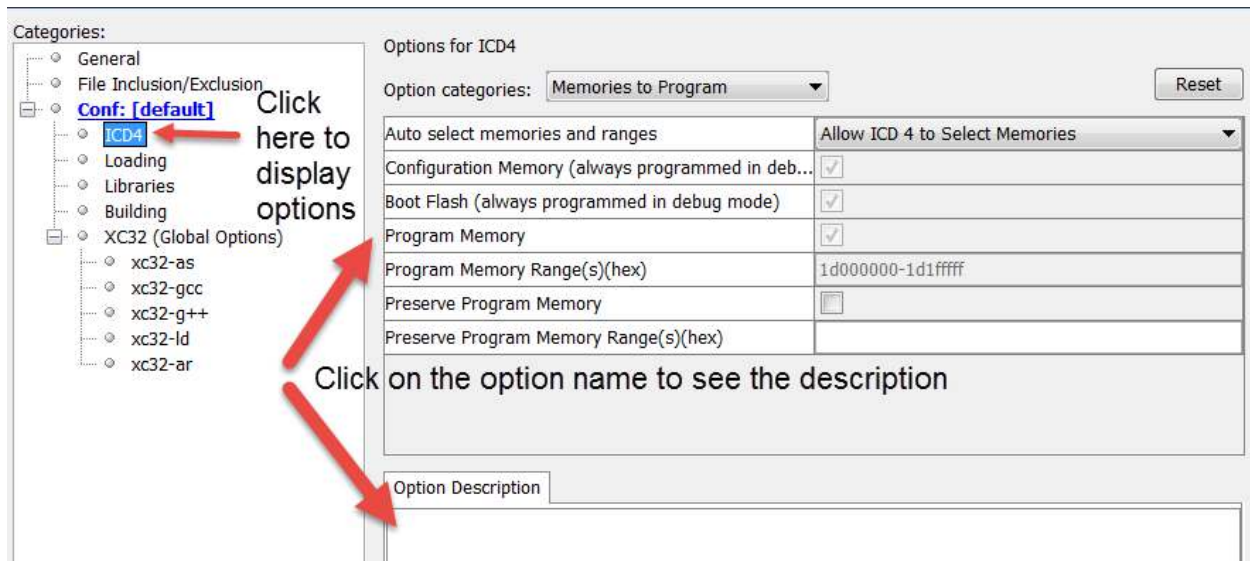
1. Open the Project Properties dialog by doing one of the following:
 - 1.1. Click on the project name in the Projects window and select *File > Project Properties*.
 - or
 - 1.2. Right click on the project name in the Projects window and select **Properties**.
2. Under **Categories** on the left side, expand “Conf:[default]” to show ICD4.
3. Under **Hardware Tools**, find **ICD 4** and click on a serial number (SN) to select a debugger for use in the project, then click **Apply**.


8.2 Debugger Options Selection

Debugger options are set in the Project Properties dialog. Click on **ICD4**, under **Categories**, to display **Options for ICD4** (see figure below). Use the **Option categories** drop-down list to select various options. Click on an option name to see its description in the Option Description box below. Click to the right of an option name to select or change it.

Note: The available option categories and the options within those categories are dependent on the device you have selected.

Figure 8-1. Options for MPLAB® ICD 4



After setting the options, click **Apply** or **OK**. Also click the Refresh Debug Tool status icon  in the MPLAB X IDE dashboard display to update any changes made.

The possible option categories are described in the following sections.

8.2.1 Memories to Program

Select the memories to be programmed into the target. The table below shows all the possible options. However, only those options available for your selected device will be displayed in MPLAB X IDE.

Note: If **Erase All Before Program** is selected, as shown in section 8.2.3 [Program](#), then all device memory will be erased before programming.

Table 8-1. Memories to Program Option Category

Auto select memories and ranges	Allow ICD 4 to Select Memories - The debugger uses your selected device and default settings to determine what to program. Manually select memories and ranges - You select the type and range of memory to program (see below).
Configuration Memory	Check to include <i>Configuration Memory</i> in the area(s) to be programmed. This is always programmed in Debug mode.
Boot Flash	Check to include <i>Boot Flash</i> memory in the area(s) to be programmed. This is always programmed in Debug mode.
EEPROM	Check to include <i>EEPROM</i> memory in the area(s) to be programmed.
ID	Check to program the user ID.
Program Memory	Check to program the target program memory range specified below.
Program Memory Range(s) (hex)	The range(s) of program memory to be programmed. These are the starting and ending hex address range(s) in program memory for programming, reading, or verification. Each range must be two hex numbers (the start and end addresses of the range) separated by a dash. Multiple ranges must be separated by a comma (for example, 0-ff, 200-2ff). Ranges must be aligned on a 0x800 address boundary. Note: The address range does not apply to the Erase function. The Erase function will erase all data on the device.
Preserve Program Memory	Check to not set the target program memory range specified below. Ensure that code is NOT code protected.
Preserve Program Memory Range(s) (hex)	The starting and ending hex address range(s) in target program memory to preserve when programming, reading, or verifying. This memory is read from the target and overlaid with existing MPLAB X IDE memory.
Preserve Memory	Check to preserve <i>Memory</i> for reprogramming, where <i>Memory</i> is the type of memory. Types include: EEPROM, ID, Boot Flash, and Auxiliary. Ensure that code is NOT code protected.

Preserve Memory Range(s) (hex)*	The starting and ending hex address range in target <i>Memory</i> to preserve when programming, reading, or verifying. <i>Memory</i> is the type of memory, which includes EEPROM, ID, Boot Flash, and Auxiliary. This memory is read from the target and overlaid onto the existing MPLAB X IDE memory. Ensure that code is NOT code protected.
* If you receive a programming error due to an incorrect range, ensure the range does not exceed available/remaining device memory.	

8.2.2 Debug

If this option is available for the project device, you can select to use software breakpoints.

Table 8-2. Debug Option Category

Use Software Breakpoints	Check to use software breakpoints. Uncheck to use hardware breakpoints. See discussion below to determine which type is best for your application.
--------------------------	--

Table 8-3. Software vs. Hardware Breakpoints

Features	Software Breakpoints	Hardware Breakpoints
Number of breakpoints	Unlimited	Limited
Breakpoints are written to	Program Memory	Debug Registers
Time to set breakpoints	Oscillator Speed Dependent – can take minutes	Minimal
Skidding	No	Yes
Note: Using software breakpoints for debugging impacts device endurance. Therefore, it is recommended that devices used in this manner not be used as production parts.		

8.2.3 Program

Choose to erase all memory before programming or to merge code.

Table 8-4. Program Option Category

Erase All Before Program	Enabling this option will cause the entire device to be erased prior to programming the data from MPLAB X IDE. Any memory areas designated to be preserved will be read before the device is erased and reprogrammed on the device, when the device is programmed. Unless programming new or already erased devices, it is important to have this box checked. If not checked, the device is not erased and program code will be merged with the code already in the device.
Programming mode entry	This option designates the method the MPLAB ICD 4 will use to put the target device in programming mode. For the low-voltage method, V_{PP} will not exceed the V_{DD} supply voltage. Instead a test pattern will be used on V_{PP} . For the high-voltage method, a voltage in excess of 9 volts will be placed on V_{PP} .
LED Brightness Setting	Select the level of brightness from 1 (darkest) to 10 (brightest).

PGC Configuration	This option determines the type of resistance that will be applied to the PGC line (pull down, pull up or none). The default is pull down. The value of the resistance is determined by the PGC resistor value option below.
PGC resistor value (kΩ)	Type in a resistor value from 0-50. The default value is 4.7 kΩ. If the PGC configuration is set to none, this value is ignored.
PGD Configuration	Select either none, pull up or pull down. The default is pull down. The value of the resistance is determined by the PGD resistor value option below.
PGD resistor value (kΩ)	Type in a resistor value from 0-50. The default value is 4.7 kΩ. If the PGD configuration is set to none, this value is ignored.
Program Speed	Select the speed that the debugger will use to program the target: Low, Normal or High. The default is Normal. If programming should fail, using a slower speed may solve the problem.

8.2.4 Freeze Peripherals

Select from the list of peripherals to freeze or not freeze on program halt. The available peripherals are device dependent.

PIC12/16/18 MCU Devices

To freeze/unfreeze all device peripherals on halt, check/uncheck the “Freeze on Halt” check box. If this does not halt your desired peripheral, be aware that some peripherals do not have a freeze-on-halt capability and cannot be controlled by the debugger.

dsPIC30F/33F, PIC24F/H and PIC32MX Devices

For peripherals in the “Peripherals to Freeze on Halt” list, check to freeze that peripheral on a halt. Uncheck the peripheral to let it run while the program is halted. If you do not see a peripheral on the list, check “All Other Peripherals.” If this does not halt your desired peripheral, be aware that some peripherals do not have a freeze-on-halt capability and cannot be controlled by the debugger.

To select all peripherals, including “All Other Peripherals,” click **Check All**. To deselect all peripherals, including “All Other Peripherals,” click **Uncheck All**.

8.2.5 Power

Select power options.

Table 8-5. Power Option Category

Power Target Circuit from ICD 4	If checked, this option allows the ICD 4 to power the target circuit. Otherwise an external power supply must be used (see section 3.2.3 Target Power).
Voltage Level	If the “Power Target Circuit from ICD 4” check box is checked, select the target V_{DD} (1.2V-5.5V) that the debugger will provide.

8.2.6 Secure Segment

Select and load debugger firmware.

Table 8-6. Secure Segment Option Category

Segments to be Programmed	Select one of the following: <ul style="list-style-type: none"> • Full Chip Programming (default) • Boot, Secure and General Segments • Secure and General Segments • General Segment Only
---------------------------	--

8.2.7 Tool Pack Selection

Select and load debugger firmware.

Table 8-7. Firmware Option Category

Tool pack update options	Select either Use latest installed tool pack (recommended) or Use specific tool pack.
Specifically selected version	Press to select which tool pack to use. When pressed, the Select Tool pack dialog opens from which to select the version you want.

8.2.8 Clock

Set the option to use the fast internal RC clock for the selected device.

Table 8-8. Clock Option Category (Continued)

Use FRC in Debug mode (dsPIC33F and PIC24F/H devices only)	<p>When debugging, use the device fast internal RC (FRC) for clocking instead of the oscillator specified for the application. This is useful when the application clock is slow. Checking this check box will let the application run at the slow speed but debug at the faster FRC speed.</p> <p>Reprogram after changing this setting.</p> <p>Note: Peripherals that are not frozen will operate at the FRC speed while debugging.</p>
--	--

8.2.9 Communication

Set the option(s) to use for your device and type of target communication.

Table 8-9. Communication Option Category

Interface	Select the interface from the available options.
Speed (MHz)	Enter a speed based on the available range for the interface.
High Voltage Activation Mode	<p><i>This option displays only for AVR devices with this option.</i> No High Voltage - Default setting. Simple High Voltage Pulse - The tool will try to activate the interface by issuing a high voltage pulse. This procedure is safe if the pin is configured as an input. User Power Toggle - In this mode the user will be prompted to toggle power on the target device. Once the tool detects that the power returns it will issue a high voltage pulse before the target device pin is configured, making the activation procedure as gentle as possible.</p>

Programming AVR Devices with UPDI

The debugger supports using the high-voltage mechanism to activate the AVR® Unified Program and Debug Interface (UPDI). On low pin count AVR devices with UPDI, the UPDI pin can be configured as GPIO or RESET by configuring the RSTPINCFG configuration bits. To do further programming, the debugger will have to use a high voltage pulse to reactivate the UPDI interface. When using the high voltage pulse, you must make sure that all circuits connected to the UPDI wire can tolerate a pulse of at least 12V.

GPIO vs. UPDI Operation:

When using a high voltage pulse to reactivate the UPDI interface, the reactivation is only temporary, but it will retain the UPDI functionality until the next reset. After the next reset, the pin will go back to the configuration as specified by the RSTPINCFG configuration bits. To have the pin configured as UPDI after a reset, the user will have to change the RSTPINCFG configuration bits back to UPDI.

It is possible to perform a debug session when the RSTPINCFG is configured to GPIO, but the pin will be temporarily configured as UPDI, and the pin will not operate as a GPIO pin.

Table 8-10. SYSCFG0 RSTPINCFG[1:0] Configuration Bits

Values	Function
0x0	GPIO
0x1	UPDI
0x2	RESET
0x3	Reserved

9. Hardware Specification

The hardware and electrical specifications of the MPLAB ICD 4 In-Circuit Debugger system are detailed in the following sections.

9.1 USB Port Communication

The MPLAB ICD 4 In-Circuit Debugger is connected to the host computer via a USB port, version 2.0 compliant. The USB connector is located on the side of the debugger.

The system is capable of reloading the firmware via the USB interface.

Power for the debugger can be derived from the USB interface, however, the USB connection is primarily for communications between the computer and the debugger. It cannot be used to power the target. An external power supply is required. The debugger is classified as a high-power system per the USB specification and requires 300 mA of power from the USB to function in all operational modes (debugger/programmer).

Note: The MPLAB ICD 4 In-Circuit Debugger is powered through its USB connection. The target board is powered from its own supply.

Cable Length – The computer-to-debugger cable, shipped with the debugger kit, is the correct length for proper operation.

Powered Hubs – If you are going to use a USB hub, make sure it is self-powered. Also, USB ports on computer keyboards do not have enough power for the debugger to operate.

Computer Hibernate/Power-Down Modes – Disable the Hibernate or other power saver modes on your computer to ensure proper USB communication with the debugger.

9.2 MPLAB ICD 4 In-Circuit Debugger

The debugger consists of an internal main board and an external USB connector, RJ-45 type connector, and a 9V DC power connector. On the face of the debugger enclosure is an indicator light bar composed of two LEDs.

9.2.1 Main Board

The main board includes the following features:

- a 32-bit microcontroller using an ARM® Cortex®-M4 core.
- a USB 2.0 interface capable of USB speeds of 480 Mbps.
- an FPGA for general system control and increased communication throughput.
- an SRAM for holding the program code image. This image is used for programming on-board Flash device.
- two LEDs.

9.2.2 Indicator Lights (LEDs)

The expected start-up sequence for the MPLAB ICD 4 debugger is:

1. Purple - steady on for approximately 3 seconds.
2. Blue - flashing for approximately 2 seconds while the debugger runs a power-on self-test.
3. Blue - steady on. The debugger is ready.

The following table advises how to read the indicator lights.

Table 9-1. LED and Bootloader Error Descriptions

Left LED	Right LED	Description
Normal Modes		
Blue	Blue	Power is connected; debugger in standby

.....continued		
Left LED	Right LED	Description
Orange	Blue	Power target circuit from ICD 4 checked (see Table 8-5)
Green	Blue	Power target circuit from ICD 4 unchecked (see Table 8-5)
Purple	Purple	Bootloader is running
Yellow	Yellow	Debugger is busy
Red	Red	An operation has failed
Purple	Purple	Fast blink indicates the time window for forcing the debugger into Bootload mode
Bootloader Errors		
Purple	Red, slow blink	Problem accessing the debugger's serial EEPROM
Purple	Red, fast blink	Bootloader API commands cannot be processed
White, fast blink	White, fast blink	A runtime exception occurred in the tool firmware

9.3 Communication Hardware



Notice: For header support, see the latest Release Notes for MPLAB ICD 4 in MPLAB X IDE.

For standard debugger communication with a target ([3.1 Debugger to Target Communication](#)), use an adapter with the RJ-11 connector.

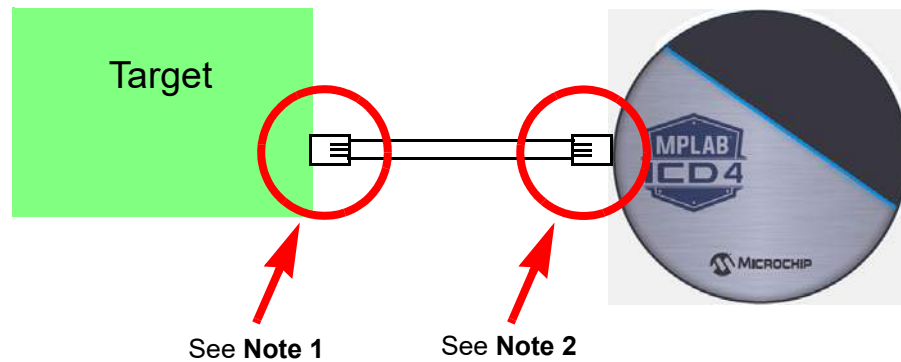
To use this type of communication with a header board, you may need a device-specific Processor Pak, which includes an 8-pin connector header board that contains the desired ICE/ICD device and a standard adapter board.



Tip: Older header boards used a 6-pin (RJ-11) connector instead of an 8-pin connector, so these headers may be connected directly to the debugger.

For more on available header boards, see the “Processor Extension Pak and Header Specification” (DS51292).

Figure 9-1. Communication Connections



Notes:

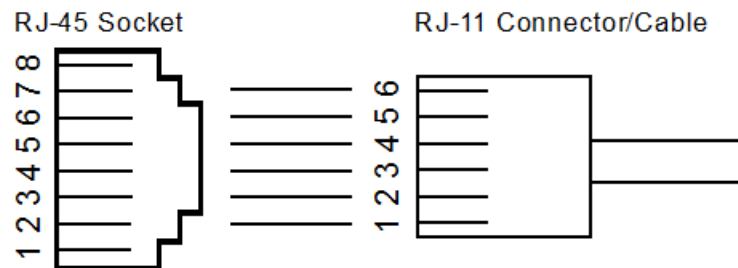
1. For information on connecting the RJ-11 type cable to the target, refer to sections [9.3.2 Standard Communication](#) and [9.3.4 Connecting the Debugger to an RJ-45 Target via an RJ-45 Type Cable](#).
2. For information on connecting the RJ-11 type cable to the RJ-45 socket, refer to sections [9.3.1 Connecting an RJ-11 Type Cable to an RJ-45 Jack on the Debugger](#) and [9.3.4 Connecting the Debugger to an RJ-45 Target via an RJ-45 Type Cable](#).

9.3.1 Connecting an RJ-11 Type Cable to an RJ-45 Jack on the Debugger

The MPLAB ICD 4 In-Circuit Debugger has an RJ-45 connector for communication to the target. Connect the RJ-11 type cable into the RJ-45 connector by simply inserting it into the center of the RJ-45 connector.

Refer to the figure below for the pinouts for this connection.

Figure 9-2. RJ-45 Socket to RJ-11 Connector Pinout



Pin	RJ-45	Function	Pin	RJ-11
1	TMS	EJTAG Test Mode Select		
2		Reserved		
3	PGC (ICSPCLK)	Standard Com Clock/TCK (JTAG Test Clock)	2	PGC (ICSPCLK)
4	PGD (ICSPDAT)	Standard Com Data/TDO (JTAG Test Data Output)	3	PGD (ICSPDAT)
5	GND	Ground	4	GND
6	V _{DD_TGT}	Power on target	5	V _{DD_TGT}

Pin	RJ-45	Function	Pin	RJ-11
7	V _{PP}	Power	6	V _{PP}
8	TDI	JTAG Test Data Input		

9.3.2 Standard Communication

The main interface to the target processor is via standard communication. It contains the connections to the high voltage (V_{PP}), V_{DD} sense lines, as well as clock and data connections required for programming and connecting with the target devices.

The V_{PP} high-voltage lines can produce a variable voltage that can swing from 0-14V to satisfy the voltage requirements of the specific emulation processor.

The V_{DD} sense connection draws very little current from the target processor. The actual power comes from the MPLAB ICD 4 In-Circuit Debugger system, as the V_{DD} sense line is used as a reference only to track the target voltage. The V_{DD} connection is isolated with an optical switch.

The clock and data connections are interfaces with the following characteristics:

- Clock and data signals are in high-impedance mode (even when no power is applied to the MPLAB ICD 4 In-Circuit Debugger system).
- Clock and data signals are protected from high voltages caused by faulty target systems, or improper connections.
- Clock and data signals are protected from high current caused from electrical shorts in faulty target systems.

Figure 9-3. 6-Pin Standard Pinout

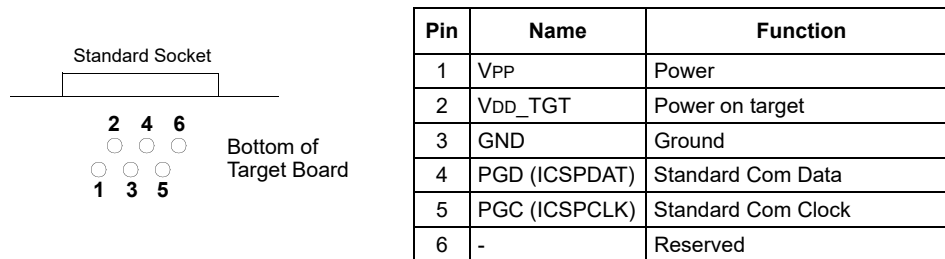


Table 9-2. Electrical Logic Table

Logic Inputs	V _{IH} = V _{DD} × 0.7V (min.)			
	V _{IL} = V _{DD} × 0.3V (max.)			
Logic Outputs	V _{DD} = 5V	V _{DD} = 3V	V _{DD} = 2.3V	V _{DD} = 1.65V
	V _{OH} = 3.8V min.	V _{OH} = 2.4V min.	V _{OH} = 1.9V min.	V _{OH} = 1.2V min.
	V _{OL} = 0.55V max.	V _{OL} = 0.55V max.	V _{OL} = 0.3V max.	V _{OL} = 0.45V max.

9.3.3 Modular Cable and Connector

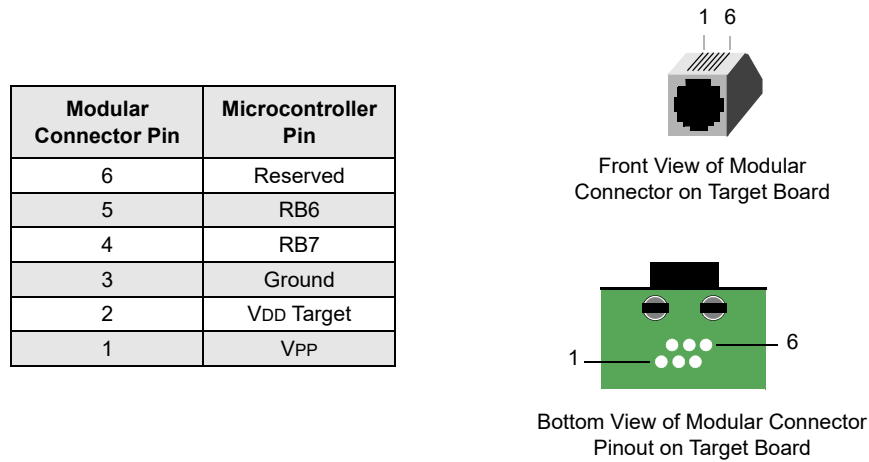
For standard communication, a modular cable connects the debugger and the target application. The specifications for this cable and its connectors are listed below.

9.3.3.1 Modular Connector Specification

- Manufacturer, Part Number – AMP Incorporated, 555165-1
- Distributor, Part Number – Digi-Key, A9031ND

The following table shows how the modular connector pins, for an application, correspond to the microcontroller pins. This configuration provides full in-circuit debugger functionality.

Figure 9-4. Modular Connector Pinout of Target Board



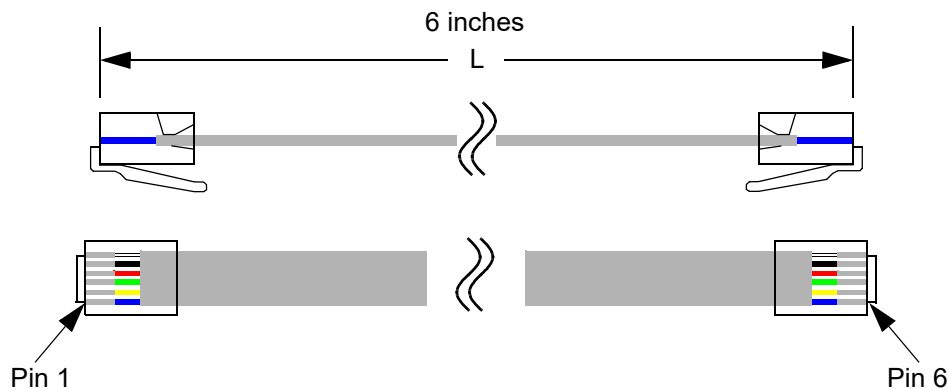
9.3.3.2 Modular Plug Specification

- Manufacturer, Part Number – AMP Incorporated, 5-554710-3
- Distributor, Part Number – Digi-Key, A9117ND

9.3.3.3 Modular Cable Specification

Manufacturer, Part Number – Microchip Technology, 07-00024 The length of this cable (L) is 6 inches. It is not recommended that you use a modular cable longer than 6 inches to avoid potential communication problems.

Figure 9-5. Modular Cable

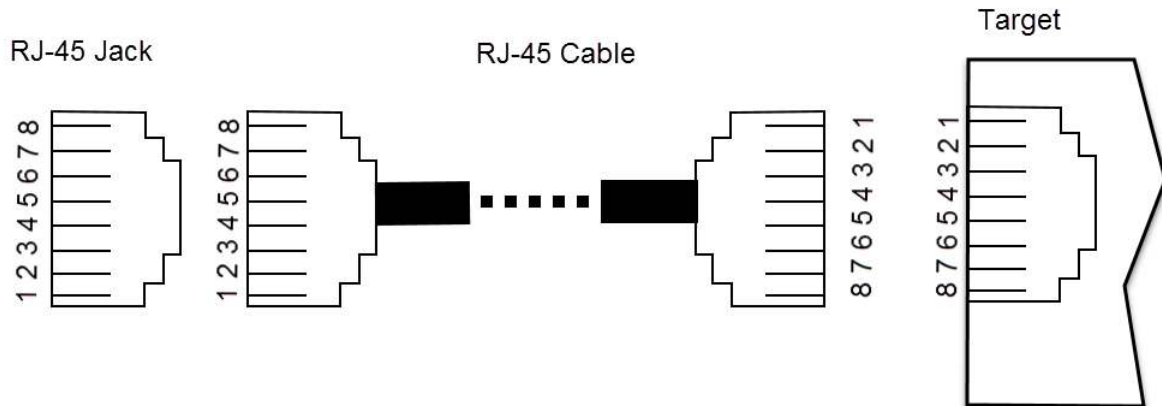


9.3.4 Connecting the Debugger to an RJ-45 Target via an RJ-45 Type Cable

The MPLAB ICD 4 In-Circuit Debugger has an RJ-45 connector for communication to the target. Connect the RJ-45 type cable into the RJ-45 connector. Connect the other end of the cable to the RJ-45 connector on the target.

Refer to the figure below for the pinouts for this connection.

Figure 9-6. RJ-45 Connections to Target



9.3.5 Pinouts for Interfaces

The programming connector pin functions are different for various devices and interfaces. Refer to the following pinout tables for debug and data stream interfaces.

Note: Refer to the data sheet for the device you are using as well as the application notes for the specific interface for additional information and diagrams.

Table 9-3. Pinouts for Debug Interfaces

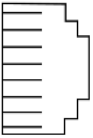
MPLAB ICD 4			DEBUG									
Connector	Pin #	Pin Name	ICSP (MCHP)	MIPS EJTAG	CORTEX SWD	AVR® JTAG	DW(IRE)	UPDI	PDI	AW	AVR_ISP	TPI
	8	TTDI		TTDI		TDI					MOSI	
	7	TVPP	MCLR	MCLR	MCLR							
	6	TVDD	VDD	VIO_REF	VTG	VTG	VTG	VTG	VTG	VTG	VTG	VTG
	5	GND	GND	GND	GND	GND	GND	GND	GND	GND	GND	GND
	4	PGD	DAT	TDO	SWO	TDO		DAT	DAT	DATA	MISO	DAT
	3	PGC	CLK	TCK	SWCLK	TCK					SCK	CLK
	2	TAUX	AUX	TAUX		RESET	SW-DAT		CLK		RESET	RST
	1	TTMS		TTMS	SWDIO	TMS						

Table 9-4. Pinouts for Data Stream Interfaces

MPLAB ICD 4	Data Stream	
Pin #	DMCI / DGI ¹ U(S)ART / CDC	DGI ¹ SPI
8	TX (target)	MOSI
7		
6	VTG	VTG
5	GND	GND

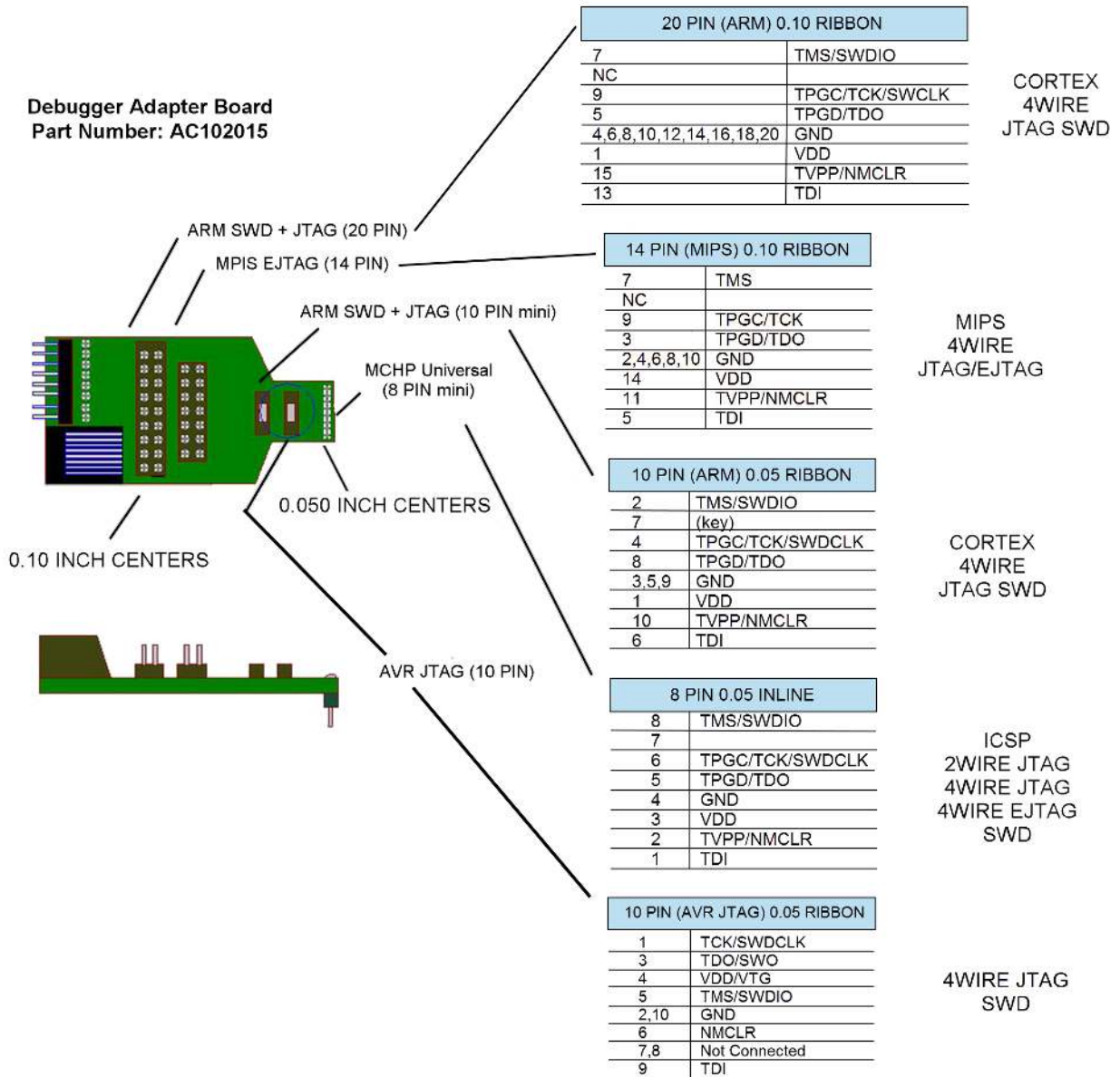
.....continued

MPLAB ICD 4	Data Stream	
Pin #	DMCI / DGI ¹ U(S)ART / CDC	DGI ¹ SPI
4		MISO
3		SCK
2	(SCK)	
1	RX (target)	SS

1. For future use.

Figure 9-7. Debugger Adapter Board (AC102015) Pinouts

This is a connectivity board that supports JTAG, SWD and ICSP protocols, useful for debugging legacy AVR®.

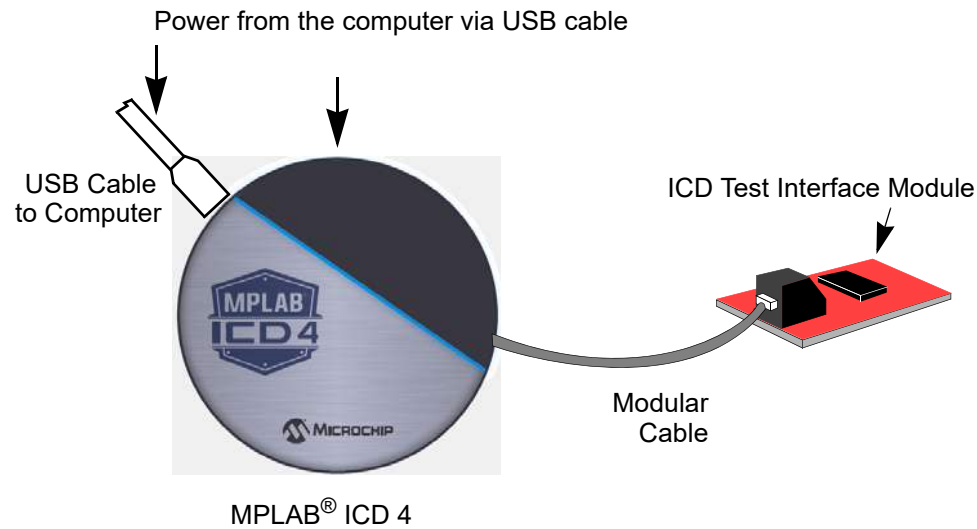


9.4 ICD Test Interface Module

To use this module to verify that the debugger is functioning properly:

1. Disconnect the debugger from the target and the computer.
2. Connect the ICD Test Interface module (AC164113) to the debugger using the modular cable.

Figure 9-8. MPLAB ICD 4 Connection to Test Interface Module



3. Reconnect the debugger to the computer.
4. Power the MPLAB ICD 4 through the USB cable to the computer.
5. Launch MPLAB X IDE. Ensure that all existing projects are closed.
6. Select *Debug > Run Debugger/Programmer Self Test*. Then select the specific "ICD 4" you want to test and click **OK**.
7. Ensure the ICD Test Interface module and cable are connected. Click **Yes** to continue.
8. View the self-test results in the debugger's Output window. If the test runs successfully, you'll see the following:

```
Test interface PGC clock line write succeeded.
Test interface PGD data line write succeeded.
Test interface PGC clock line read succeeded.
Test interface PGD data line read succeeded.
Test interface LVP control line test succeeded.
Test interface MCLR level test succeeded.
ICD4 is functioning properly. If you are still having problems with your
target circuit please check the Target Board Considerations section
of the online Help.
```

9. After the debugger passes the self test, disconnect the ICD Test Interface module from the debugger.

If any test failed, verify all connections. If failures still occur, please enter a ticket on support.microchip.com. Copy and paste the content of the Output window into the problem description.

9.5 Target Board Considerations

The target board should be powered according to the requirements of the selected device and the application.

Note: Stresses above those listed under "Absolute Maximum Ratings" in the Electrical Characteristics chapter of the device's data sheet may cause permanent damage to the device. This is a stress rating only and functional operation of the device at those or any other conditions, above those indicated in the operation listings of this specification, is not implied. Exposure to maximum rating conditions for extended periods may affect device reliability.

The debugger does sense target voltage. There is a 182K ohm load on VDD_TGT.

Depending on the type of debugger-to-target communication that is used, there are some considerations for target board circuitry:

- [3.2.2 Target Connection Circuitry](#)
- [3.3 Circuits That Will Prevent the Debugger From Functioning](#)

10. Revision History

10.1 Revision A (August 2017)

Initial release of this document.

10.2 Revision B (September 2017)

Minor updates to correct block diagram and other minor corrections.

10.3 Revision C (May 2018)

Minor corrections, added information on how to invoke the bootload mode and how to use the hardware tool emergency boot firmware recovery utility. Also modified instructions for the Debugger Options Selection.

10.4 Revision D (October 2018)

Added new information on connecting the debugger to the target, pinouts for interfaces and debugger adapter board pinouts.

10.5 Revision E (June 2020)

- Reformatted the entire document including chapter/section numbering.
- Removed the firmware property option and replaced it with the tool pack selection option. Added the communication property option.
- Revised instructions in the "How to Invoke the Bootload Mode" section due to the change in property options.
- Corrected kohm values where necessary in text and figures.
- Added notices for where to find information on header support.

11. Support

Please refer to the following sections for support issues.

11.1 Warranty Registration

If your development tool package includes a Warranty Registration Card, please complete the card and mail it in promptly. Sending in your Warranty Registration Card entitles you to receive new product updates. Interim software releases are available at the Microchip website.

11.2 myMicrochip Personalized Notification Service

Microchip's personal notification service helps keep customers current on their Microchip products of interest. Subscribers will receive e-mail notification whenever there are changes, updates, revisions or errata related to a specified product family or development tool.

To begin the registration process and select your preferences to receive personalized notifications, go to:

www.microchip.com/pcn

A FAQ and registration details are available on the page, which can be opened by clicking the link above.

When you are selecting your preferences, choosing "Development Systems" will populate the list with available development tools. The main categories of tools are listed below:

- **Compilers** – The latest information on Microchip C compilers, assemblers, linkers and other language tools. These include all MPLAB C compilers; all MPLAB assemblers (including MPASM™ assembler); all MPLAB linkers (including MPLINK™ object linker); and all MPLAB librarians (including MPLIB™ object librarian).
- **Emulators** – The latest information on the MPLAB REAL ICE™ emulator.
- **In-Circuit Debuggers** – The latest information on Microchip in-circuit debuggers. These include the MPLAB ICD 3 and MPLAB ICD 4 in-circuit debuggers and PICKit™ 3 and PICKit 4 in-circuit debuggers.
- **MPLAB® X IDE** – The latest information on Microchip MPLAB X IDE, the multi-platform (Windows®, Mac OS®, Linux®) Integrated Development Environment for development systems tools.
- **Programmers** – The latest information on Microchip programmers. These include the device (production) programmers MPLAB REAL ICE in-circuit emulator, MPLAB ICD 4 in-circuit debugger, MPLAB PICKit 4 in-circuit debugger, MPLAB PM3 and development (non-production) programmers and PICKit 3.
- **Starter/Demo Boards** – These include MPLAB Starter Kit boards, PICDEM demo boards, and various other evaluation boards.

12. Glossary

Absolute Section

A GCC compiler section with a fixed (absolute) address that cannot be changed by the linker.

Absolute Variable/Function

A variable or function placed at an absolute address using the OCG compiler's @ address syntax.

Access Memory

PIC18 Only – Special registers on PIC18 devices that allow access regardless of the setting of the Bank Select Register (BSR).

Access Entry Points

Access entry points provide a way to transfer control across segments to a function which may not be defined at link time. They support the separate linking of boot and secure application segments.

Address

A value that identifies a location in memory.

Alphabetic Character

Alphabetic characters are those characters that are letters of the Roman alphabet (a, b, ..., z, A, B, ..., Z).

Alphanumeric

Alphanumeric characters are comprised of alphabetic characters and decimal digits (0, 1, ..., 9).

ANDed Breakpoints

Set up an ANDed condition for breaking, i.e., breakpoint 1 AND breakpoint 2 must occur at the same time before a program halt. This can only be accomplished if a data breakpoint and a program memory breakpoint occur at the same time.

Anonymous Structure

16-bit C Compiler – An unnamed structure.

PIC18 C Compiler – An unnamed structure that is a member of a C union. The members of an anonymous structure may be accessed as if they were members of the enclosing union. For example, in the following code, hi and lo are members of an anonymous structure inside the union caster.

```
union castaway
int intval;
struct {
char lo; //accessible as caster.lo
char hi; //accessible as caster.hi
};
} caster;
```

ANSI

The American National Standards Institute is an organization responsible for formulating and approving standards in the United States.

Application

A set of software and hardware that may be controlled by a PIC® microcontroller.

Archive/Archiver

An archive/library is a collection of relocatable object modules. It is created by assembling multiple source files to object files, and then using the archiver/librarian to combine the object files into one archive/library file. An archive/library can be linked with object modules and other archives/libraries to create executable code.

ASCII

The American Standard Code for Information Interchange is a character set encoding that uses 7 binary digits to represent each character. It includes upper and lower case letters, digits, symbols and control characters.

Assembly/Assembler

Assembly is a programming language that describes binary machine code in a symbolic form. An assembler is a language tool that translates assembly language source code into machine code.

Assigned Section

A GCC compiler section which has been assigned to a target memory block in the linker command file.

Asynchronously

Multiple events that do not occur at the same time. This is generally used to refer to interrupts that may occur at any time during processor execution.

Asynchronous Stimulus

Data generated to simulate external inputs to a simulator device.

Attribute

GCC Characteristics of variables or functions in a C language program, which are used to describe machine-specific properties.

Attribute, Section

GCC Characteristics of sections, such as "executable", "read-only", or "data" that can be specified as flags in the assembler `.section` directive.

Binary

The base two numbering system that uses the digits 0-1. The rightmost digit counts ones, the next counts multiples of 2, then $2^2 = 4$, etc.

Bookmarks

Use bookmarks to easily locate specific lines in a file.

Select Toggle Bookmarks on the Editor toolbar to add/remove bookmarks. Click other icons on this toolbar to move to the next or previous bookmark.

C/C++

C is a general-purpose programming language which features economy of expression, modern control flow and data structures, as well as a rich set of operators. C++ is the object-oriented version of C.

Calibration Memory

A special function register or registers used to hold values for calibration of a PIC microcontroller on-board RC oscillator or other device peripherals.

Central Processing Unit

The part of a device that is responsible for fetching the correct instruction for execution, decoding that instruction, and then executing that instruction. When necessary, it works in conjunction with the arithmetic logic unit (ALU) to complete the execution of the instruction. It controls the program memory address bus, the data memory address bus, and accesses to the stack.

Clean

Clean removes all intermediary project files, such as object, hex and debug files, for the active project. These files are recreated from other files when a project is built.

COFF

Common Object File Format. An object file of this format contains machine code, debugging and other information.

Command Line Interface

A means of communication between a program and its user based solely on textual input and output.

Compiled Stack

A region of memory managed by the compiler in which variables are statically allocated space. It replaces a software or hardware stack when such mechanisms cannot be efficiently implemented on the target device.

Compiler

A program that translates a source file written in a high-level language into machine code.

Conditional Assembly

Assembly language code that is included or omitted based on the assembly-time value of a specified expression.

Conditional Compilation

The act of compiling a program fragment only if a certain constant expression, specified by a preprocessor directive, is true.

Configuration Bits

Special-purpose bits programmed to set PIC MCU and dsPIC DSC modes of operation. A Configuration bit may or may not be preprogrammed.

Control Directives

Directives in assembly language code that cause code to be included or omitted based on the assembly-time value of a specified expression.

CPU

See *Central Processing Unit*.

Cross Reference File

A file that references a table of symbols and a list of files that references the symbol. If the symbol is defined, the first file listed is the location of the definition. The remaining files contain references to the symbol.

Data Directives

Data directives are those that control the assembler's allocation of program or data memory and provide a way to refer to data items symbolically; that is, by meaningful names.

Data Memory

On Microchip MCU and DSC devices, data memory (RAM) is comprised of General Purpose Registers (GPRs) and Special Function Registers (SFRs). Some devices also have EEPROM data memory.

Data Monitor and Control Interface (DMCI)

The Data Monitor and Control Interface, or DMCI, is a tool in MPLAB X IDE. The interface provides dynamic input control of application variables in projects. Application-generated data can be viewed graphically using any of 4 dynamically-assignable graph windows.

Debug/Debugger

See *ICE/ICD*.

Debugging Information

Compiler and assembler options that, when selected, provide varying degrees of information used to debug application code. See compiler or assembler documentation for details on selecting debug options.

Deprecated Features

Features that are still supported for legacy reasons, but will eventually be phased out and no longer used.

Device Programmer

A tool used to program electrically programmable semiconductor devices such as microcontrollers.

Digital Signal Controller

A digital signal controller (DSC) is a microcontroller device with digital signal processing capability, i.e., Microchip dsPIC DSC devices.

Digital Signal Processing\Digital Signal Processor

Digital signal processing (DSP) is the computer manipulation of digital signals, commonly analog signals (sound or image) which have been converted to digital form (sampled). A digital signal processor is a microprocessor that is designed for use in digital signal processing.

Directives

Statements in source code that provide control of the language tool's operation.

Download

Download is the process of sending data from a host to another device, such as an emulator, programmer or target board.

DWARF

Debug With Arbitrary Record Format. DWARF is a debug information format for ELF files.

EEPROM

Electrically Erasable Programmable Read Only Memory. A special type of PROM that can be erased electrically. Data is written or erased one byte at a time. EEPROM retains its contents even when power is turned off.

ELF

Executable and Linking Format. An object file of this format contains machine code. Debugging and other information is specified in with DWARF. ELF/DWARF provide better debugging of optimized code than COFF.

Emulation/Emulator

See *ICE/ICD*.

Endianness

The ordering of bytes in a multi-byte object.

Environment

MPLAB PM3 – A folder containing files on how to program a device. This folder can be transferred to a SD/MMC card.

Epilogue

A portion of compiler-generated code that is responsible for deallocating stack space, restoring registers and performing any other machine-specific requirement specified in the runtime model. This code executes after any user code for a given function, immediately prior to the function return.

EPROM

Erasable Programmable Read Only Memory. A programmable read-only memory that can be erased usually by exposure to ultraviolet radiation.

Error/Error File

An error reports a problem that makes it impossible to continue processing your program. When possible, an error identifies the source file name and line number where the problem is apparent. An error file contains error messages and diagnostics generated by a language tool.

Event

A description of a bus cycle which may include address, data, pass count, external input, cycle type (fetch, R/W) and time stamp. Events are used to describe triggers, breakpoints and interrupts.

Executable Code

Software that is ready to be loaded for execution.

Export

Send data out of the MPLAB IDE/MPLAB X IDE in a standardized format.

Expressions

Combinations of constants and/or symbols separated by arithmetic or logical operators.

Extended Microcontroller Mode

In extended microcontroller mode, on-chip program memory as well as external memory is available. Execution automatically switches to external if the program memory address is greater than the internal memory space of the PIC18 device.

Extended Mode (PIC18 MCUs)

In Extended mode, the compiler will utilize the extended instructions (i.e., `ADDFSR`, `ADDULNK`, `CALLW`, `MOVSF`, `MOVSS`, `PUSHL`, `SUBFSR`, and `SUBULNK`) and the indexed with literal offset addressing.

External Label

A label that has external linkage.

External Linkage

A function or variable has external linkage if it can be referenced from outside the module in which it is defined.

External Symbol

A symbol for an identifier which has external linkage. This may be a reference or a definition.

External Symbol Resolution

A process performed by the linker in which external symbol definitions from all input modules are collected in an attempt to resolve all external symbol references. Any external symbol references which do not have a corresponding definition cause a linker error to be reported.

External Input Line

An external input signal logic probe line (TRIGIN) for setting an event based upon external signals.

External RAM

Off-chip Read/Write memory.

Fatal Error

An error that halts compilation immediately. No further messages will be produced.

File Registers

On-chip data memory, including General Purpose Registers (GPRs) and Special Function Registers (SFRs).

Filter

Determine by selection what data is included/excluded in a trace display or data file.

Fixup

The process of replacing object file symbolic references with absolute addresses after relocation by the linker.

Flash

A type of EEPROM where data is written or erased in blocks instead of bytes.

FNOP

Forced No Operation. A forced NOP cycle is the second cycle of a two-cycle instruction. Since the PIC microcontroller architecture is pipelined, it prefetches the next instruction in the physical address space while it is executing the current instruction. However, if the current instruction changes the program counter, this prefetched instruction is explicitly ignored, causing a forced NOP cycle.

Frame Pointer

A pointer that references the location on the stack that separates the stack-based arguments from the stack-based local variables. Provides a convenient base from which to access local variables and other values for the current function.

Free-Standing

An implementation that accepts any strictly conforming program that does not use complex types and in which the use of the features specified in the library clause (ANSI '89 standard clause 7) is confined to the contents of the standard headers `<float.h>`, `<iso646.h>`, `<limits.h>`, `<stdarg.h>`, `<stdbool.h>`, `<stddef.h>`, and `<stdint.h>`.

GPR

General Purpose Register. The portion of device data memory (RAM) available for general use.

Halt

A stop of program execution. Executing Halt is the same as stopping at a breakpoint.

Heap

An area of memory used for dynamic memory allocation where blocks of memory are allocated and freed in an arbitrary order determined at run-time.

Hex Code/Hex File

Hex code is executable instructions stored in a hexadecimal format code. Hex code is contained in a hex file.

Hexadecimal

The base 16 numbering system that uses the digits 0-9 plus the letters A-F (or a-f). The digits A-F represent hexadecimal digits with values of (decimal) 10 to 15. The rightmost digit counts ones, the next counts multiples of 16, then $16^2 = 256$, etc.

High Level Language

A language for writing programs that is further removed from the processor than assembly.

ICE/ICD

In-Circuit Emulator/In-Circuit Debugger: A hardware tool that debugs and programs a target device. An emulator has more features than a debugger, such as trace.

In-Circuit Emulation/In-Circuit Debug: The act of emulating or debugging with an in-circuit emulator or debugger.

-ICE/-ICD: A device (MCU or DSC) with on-board in-circuit emulation or debug circuitry. This device is always mounted on a header board and used to debug with an in-circuit emulator or debugger.

ICSP

In-Circuit Serial Programming. A method of programming Microchip embedded devices using serial communication and a minimum number of device pins.

IDE

Integrated Development Environment, as in MPLAB IDE/MPLAB X IDE.

Identifier

A function or variable name.

IEEE

Institute of Electrical and Electronics Engineers.

Import

Bring data into the MPLAB IDE/MPLAB X IDE from an outside source, such as from a hex file.

Initialized Data

Data which is defined with an initial value. In C,

```
int myVar=5;
```

defines a variable, which will reside in an initialized data section.

Instruction Set

The collection of machine language instructions that a particular processor understands.

Instructions

A sequence of bits that tells a central processing unit to perform a particular operation and can contain data to be used in the operation.

Internal Linkage

A function or variable has internal linkage if it can not be accessed from outside the module in which it is defined.

International Organization for Standardization

An organization that sets standards in many businesses and technologies, including computing and communications. Also known as ISO.

Interrupt

A signal to the CPU that suspends the execution of a running application and transfers control to an Interrupt Service Routine (ISR) so that the event may be processed. Upon completion of the ISR, normal execution of the application resumes.

Interrupt Handler

A routine that processes special code when an interrupt occurs.

Interrupt Service Request (IRQ)

An event which causes the processor to temporarily suspend normal instruction execution and to start executing an interrupt handler routine. Some processors have several interrupt request events allowing different priority interrupts.

Interrupt Service Routine (ISR)

Language tools: A function that handles an interrupt.

MPLAB IDE/MPLAB X IDE: User-generated code that is entered when an interrupt occurs. The location of the code in program memory will usually depend on the type of interrupt that has occurred.

Interrupt Vector

Address of an interrupt service routine or interrupt handler.

L-value

An expression that refers to an object that can be examined and/or modified. An l-value expression is used on the left-hand side of an assignment.

Latency

The time between an event and its response.

Library/Librarian

See *Archive/Archiver*.

Linker

A language tool that combines object files and libraries to create executable code, resolving references from one module to another.

Linker Script Files

Linker script files are the command files of a linker. They define linker options and describe available memory on the target platform.

Listing Directives

Listing directives are those directives that control the assembler listing file format. They allow the specification of titles, pagination and other listing control.

Listing File

A listing file is an ASCII text file that shows the machine code generated for each C source statement, assembly instruction, assembler directive, or macro encountered in a source file.

Little Endian

A data ordering scheme for multi-byte data, whereby the least significant byte is stored at the lower addresses.

Local Label

A local label is one that is defined inside a macro with the LOCAL directive. These labels are particular to a given instance of a macro's instantiation. In other words, the symbols and labels that are declared as local are no longer accessible after the ENDM macro is encountered.

Logic Probes

Up to 14 logic probes can be connected to some Microchip emulators. The logic probes provide external trace inputs, trigger output signal, +5V, and a common ground.

Loop-Back Test Board

Used to test the functionality of the MPLAB REAL ICE in-circuit emulator.

LVDS

Low Voltage Differential Signaling. A low noise, low-power, low amplitude method for high-speed (gigabits per second) data transmission over copper wire.

With standard I/O signaling, data storage is contingent upon the actual voltage level. Voltage level can be affected by wire length (longer wires increase resistance, which lowers voltage). But with LVDS, data storage is distinguished only by positive and negative voltage values, not the voltage level. Therefore, data can travel over greater lengths of wire while maintaining a clear and consistent data stream.

Source: <http://www.webopedia.com/TERM/L/LVDS.html>

Machine Code

The representation of a computer program that is actually read and interpreted by the processor. A program in binary machine code consists of a sequence of machine instructions (possibly interspersed with data). The collection of all possible instructions for a particular processor is known as its "instruction set".

Machine Language

A set of instructions for a specific central processing unit, designed to be usable by a processor without being translated.

Macro

Macro instruction. An instruction that represents a sequence of instructions in abbreviated form.

Macro Directives

Directives that control the execution and data allocation within macro body definitions.

Makefile

Export to a file the instructions to Make the project. Use this file to Make your project outside of MPLAB IDE/MPLAB X IDE, i.e., with a make.

Make Project

A command that rebuilds an application, recompiling only those source files that have changed since the last complete compilation.

MCU

Microcontroller Unit. An abbreviation for microcontroller. Also uC.

Memory Model

For C compilers, a representation of the memory available to the application. For the PIC18 C compiler, a description that specifies the size of pointers that point to program memory.

Message

Text displayed to alert you to potential problems in language tool operation. A message will not stop operation.

Microcontroller

A highly integrated chip that contains a CPU, RAM, program memory, I/O ports and timers.

Microcontroller Mode

One of the possible program memory configurations of PIC18 microcontrollers. In microcontroller mode, only internal execution is allowed. Thus, only the on-chip program memory is available in microcontroller mode.

Microprocessor Mode

One of the possible program memory configurations of PIC18 microcontrollers. In microprocessor mode, the on-chip program memory is not used. The entire program memory is mapped externally.

Mnemonics

Text instructions that can be translated directly into machine code. Also referred to as opcodes.

Module

The preprocessed output of a source file after preprocessor directives have been executed. Also known as a translation unit.

MPASM™ Assembler

Microchip Technology's relocatable macro assembler for PIC microcontroller devices, KeeLoq® devices and Microchip memory devices.

MPLAB Language Tool for Device

Microchip's C compilers, assemblers and linkers for specified devices. Select the type of language tool based on the device you will be using for your application, e.g., if you will be creating C code on a PIC18 MCU, select the MPLAB C Compiler for PIC18 MCUs.

MPLAB ICD

Microchip in-circuit debugger that works with MPLAB IDE/MPLAB X IDE. See ICE/ICD.

MPLAB IDE/MPLAB X IDE

Microchip's Integrated Development Environment. MPLAB IDE/MPLAB X IDE comes with an editor, project manager and simulator.

MPLAB PM3

A device programmer from Microchip. Programs PIC18 microcontrollers and dsPIC digital signal controllers. Can be used with MPLAB IDE/MPLAB X IDE or stand-alone. Replaces PRO MATE II.

MPLAB REAL ICE™ In-Circuit Emulator

Microchip's next-generation in-circuit emulator that works with MPLAB IDE/MPLAB X IDE. See ICE/ICD.

MPLAB SIM

Microchip's simulator that works with MPLAB IDE/MPLAB X IDE in support of PIC MCU and dsPIC DSC devices.

MPLAB Starter Kit for Device

Microchip's starter kits contains everything needed to begin exploring the specified device. View a working application and then debug and program you own changes.

MPLIB™ Object Librarian

Microchip's librarian that can work with MPLAB IDE/MPLAB X IDE. MPLIB librarian is an object librarian for use with COFF object modules created using either MPASM assembler (mpasm or mpasmwin v2.0) or MPLAB C18 C Compiler.

MPLINK™ Object Linker

MPLINK linker is an object linker for the Microchip MPASM assembler and the Microchip C18 C compiler. MPLINK linker also may be used with the Microchip MPLIB librarian. MPLINK linker is designed to be used with MPLAB IDE/MPLAB X IDE, although it is not required.

MRU

Most Recently Used. Refers to files and windows available to be selected from MPLAB IDE/MPLAB X IDE main pull down menus.

Native Data Size

For Native trace, the size of the variable used in a Watches window must be of the same size as the selected device's data memory: bytes for PIC18 devices and words for 16-bit devices.

Nesting Depth

The maximum level to which macros can include other macros.

Node

MPLAB IDE/MPLAB X IDE project component.

Non-Extended Mode (PIC18 MCUs)

In Non-Extended mode, the compiler will not utilize the extended instructions nor the indexed with literal offset addressing.

Non Real Time

Refers to the processor at a breakpoint or executing single-step instructions or MPLAB IDE/MPLAB X IDE being run in simulator mode.

Non-Volatile Storage

A storage device whose contents are preserved when its power is off.

NOP

No Operation. An instruction that has no effect when executed except to advance the program counter.

Object Code/Object File

Object code is the machine code generated by an assembler or compiler. An object file is a file containing machine code and possibly debug information. It may be immediately executable or it may be relocatable, requiring linking with other object files, e.g., libraries, to produce a complete executable program.

Object File Directives

Directives that are used only when creating an object file.

Octal

The base 8 number system that only uses the digits 0-7. The rightmost digit counts ones, the next digit counts multiples of 8, then $8^2 = 64$, etc.

Off-Chip Memory

Off-chip memory refers to the memory selection option for the PIC18 device where memory may reside on the target board, or where all program memory may be supplied by the emulator. The Memory tab accessed from Options>Development Mode provides the Off-Chip Memory selection dialog box.

Opcodes

Operational Codes. See *Mnemonics*.

Operators

Symbols, like the plus sign '+' and the minus sign '-', that are used when forming well-defined expressions. Each operator has an assigned precedence that is used to determine order of evaluation.

OTP

One Time Programmable. EPROM devices that are not in windowed packages. Since EPROM needs ultraviolet light to erase its memory, only windowed devices are erasable.

Pass Counter

A counter that decrements each time an event (such as the execution of an instruction at a particular address) occurs. When the pass count value reaches zero, the event is satisfied. You can assign the Pass Counter to break and trace logic, and to any sequential event in the complex trigger dialog.

PC

Personal Computer or Program Counter.

PC Host

Any PC running a supported Windows operating system.

Persistent Data

Data that is never cleared or initialized. Its intended use is so that an application can preserve data across a device Reset.

Phantom Byte

An unimplemented byte in the dsPIC architecture that is used when treating the 24-bit instruction word as if it were a 32-bit instruction word. Phantom bytes appear in dsPIC hex files.

PIC MCUs

PIC microcontrollers (MCUs) refers to all Microchip microcontroller families.

PICKit 2 and 3

Microchip's developmental device programmers with debug capability through Debug Express. See the Readme files for each tool to see which devices are supported.

Plug-ins

The MPLAB IDE/MPLAB X IDE has both built-in components and plug-in modules to configure the system for a variety of software and hardware tools. Several plug-in tools may be found under the Tools menu.

Pod

The enclosure for an in-circuit emulator or debugger. Other names are *Puck*, if the enclosure is round, and *Probe*, not be confused with logic probes.

Power-on-Reset Emulation

A software randomization process that writes random values in data RAM areas to simulate uninitialized values in RAM upon initial power application.

Pragma

A directive that has meaning to a specific compiler. Often a pragma is used to convey implementation-defined information to the compiler.

Precedence

Rules that define the order of evaluation in expressions.

Production Programmer

A production programmer is a programming tool that has resources designed in to program devices rapidly. It has the capability to program at various voltage levels and completely adheres to the programming specification.

Programming a device as fast as possible is of prime importance in a production environment where time is of the essence as the application circuit moves through the assembly line.

Profile

For MPLAB SIM simulator, a summary listing of executed stimulus by register.

Program Counter

The location that contains the address of the instruction that is currently executing.

Program Counter Unit

16-bit assembler – A conceptual representation of the layout of program memory. The program counter increments by 2 for each instruction word. In an executable section, 2 program counter units are equivalent to 3 bytes. In a read-only section, 2 program counter units are equivalent to 2 bytes.

Program Memory

MPLAB IDE/MPLAB X IDE: The memory area in a device where instructions are stored. Also, the memory in the emulator or simulator containing the downloaded target application firmware.

16-bit assembler/compiler: The memory area in a device where instructions are stored.

Project

A project contains the files needed to build an application (source code, linker script files, etc.) along with their associations to various build tools and build options.

Prologue

A portion of compiler-generated code that is responsible for allocating stack space, preserving registers and performing any other machine-specific requirement specified in the run-time model. This code executes before any user code for a given function.

Prototype System

A term referring to a user's target application, or target board.

Psect

The OCG equivalent of a GCC section, short for program section. A block of code or data which is treated as a whole by the linker.

PWM Signals

Pulse Width Modulation Signals. Certain PIC MCU devices have a PWM peripheral.

Qualifier

An address or an address range used by the Pass Counter or as an event before another operation in a complex trigger.

Radix

The number base, hex, or decimal, used in specifying an address.

RAM

Random Access Memory (Data Memory). Memory in which information can be accessed in any order.

Raw Data

The binary representation of code or data associated with a section.

Read Only Memory

Memory hardware that allows fast access to permanently stored data but prevents addition to or modification of the data.

Real Time

When an in-circuit emulator or debugger is released from the halt state, the processor runs in Real Time mode and behaves exactly as the normal chip would behave. In Real Time mode, the real time trace buffer of an emulator is enabled and constantly captures all selected cycles, and all break logic is enabled. In an in-circuit emulator or debugger, the processor executes in real time until a valid breakpoint causes a halt, or until the user halts the execution.

In the simulator, real time simply means execution of the microcontroller instructions as fast as they can be simulated by the host CPU.

Recursive Calls

A function that calls itself, either directly or indirectly.

Recursion

The concept that a function or macro, having been defined, can call itself. Great care should be taken when writing recursive macros; it is easy to get caught in an infinite loop where there will be no exit from the recursion.

Re-entrant

A function that may have multiple, simultaneously active instances. This may happen due to either direct or indirect recursion or through execution during interrupt processing.

Relaxation

The process of converting an instruction to an identical, but smaller instruction. This is useful for saving on code size. MPLAB XC16 currently knows how to relax a CALL instruction into an RCALL instruction. This is done when the symbol that is being called is within +/- 32k instruction words from the current instruction.

Relocatable

An object whose address has not been assigned to a fixed location in memory.

Relocatable Section

16-bit assembler – A section whose address is not fixed (absolute). The linker assigns addresses to relocatable sections through a process called relocation.

Relocation

A process performed by the linker in which absolute addresses are assigned to relocatable sections and all symbols in the relocatable sections are updated to their new addresses.

ROM

Read Only Memory (Program Memory). Memory that cannot be modified.

Run

The command that releases the emulator from halt, allowing it to run the application code and change or respond to I/O in real time.

Run-time Model

Describes the use of target architecture resources.

Run-time Watch

A Watches window where the variables change in as the application is run. See individual tool documentation to determine how to set up a run-time watch. Not all tools support run-time watches.

Scenario

For MPLAB SIM simulator, a particular setup for stimulus control.

Section

The GCC equivalent of an OCG psect. A block of code or data which is treated as a whole by the linker.

Section Attribute

A GCC characteristic ascribed to a section (e.g., an access section).

Sequenced Breakpoints

Breakpoints that occur in a sequence. Sequence execution of breakpoints is bottom-up; the last breakpoint in the sequence occurs first.

Serialized Quick Turn Programming

Serialization allows you to program a serial number into each microcontroller device that the Device Programmer programs. This number can be used as an entry code, password or ID number.

Shell

The MPASM assembler shell is a prompted input interface to the macro assembler. There are two MPASM assembler shells: one for the DOS version and one for the Windows operating system version.

Simulator

A software program that models the operation of devices.

Single Step

This command steps through code, one instruction at a time. After each instruction, MPLAB IDE/MPLAB X IDE updates register windows, watch variables, and status displays so you can analyze and debug instruction execution. You can also single step C compiler source code, but instead of executing single instructions, MPLAB IDE/MPLAB X IDE will execute all assembly level instructions generated by the line of the high level C statement.

Skew

The information associated with the execution of an instruction appears on the processor bus at different times. For example, the executed opcodes appears on the bus as a fetch during the execution of the previous instruction, the source data address and value and the destination data address appear when the opcodes is actually executed, and the destination data value appears when the next instruction is executed. The trace buffer captures the information that is on the bus at one instance. Therefore, one trace buffer entry will contain execution information for three instructions. The number of captured cycles from one piece of information to another for a single instruction execution is referred to as the skew.

Skid

When a hardware breakpoint is used to halt the processor, one or more additional instructions may be executed before the processor halts. The number of extra instructions executed after the intended breakpoint is referred to as the skid.

Source Code

The form in which a computer program is written by the programmer. Source code is written in a formal programming language which can be translated into machine code or executed by an interpreter.

Source File

An ASCII text file containing source code.

Special Function Registers (SFRs)

The portion of data memory (RAM) dedicated to registers that control I/O processor functions, I/O status, timers or other modes or peripherals.

SQTP

See *Serialized Quick Turn Programming*.

Stack, Hardware

Locations in PIC microcontroller where the return address is stored when a function call is made.

Stack, Software

Memory used by an application for storing return addresses, function parameters, and local variables. This memory is dynamically allocated at run-time by instructions in the program. It allows for re-entrant function calls.

Stack, Compiled

A region of memory managed and allocated by the compiler in which variables are statically assigned space. It replaces a software stack when such mechanisms cannot be efficiently implemented on the target device. It precludes re-entrancy.

Static RAM or SRAM

Static Random Access Memory. Program memory you can read/write on the target board that does not need refreshing frequently.

Status Bar

The Status Bar is located on the bottom of the MPLAB IDE/MPLAB X IDE window and indicates such current information as cursor position, development mode and device, and active tool bar.

Step Into

This command is the same as Single Step. Step Into (as opposed to Step Over) follows a CALL instruction into a subroutine.

Step Over

Step Over allows you to debug code without stepping into subroutines. When stepping over a CALL instruction, the next breakpoint will be set at the instruction after the CALL. If for some reason the subroutine gets into an endless loop or does not return properly, the next breakpoint will never be reached. The Step Over command is the same as Single Step except for its handling of CALL instructions.

Step Out

Step Out allows you to step out of a subroutine which you are currently stepping through. This command executes the rest of the code in the subroutine and then stops execution at the return address to the subroutine.

Stimulus

Input to the simulator, i.e., data generated to exercise the response of simulation to external signals. Often the data is put into the form of a list of actions in a text file. Stimulus may be asynchronous, synchronous (pin), clocked and register.

Stopwatch

A counter for measuring execution cycles.

Storage Class

Determines the lifetime of the memory associated with the identified object.

Storage Qualifier

Indicates special properties of the objects being declared (e.g., const).

Symbol

A symbol is a general purpose mechanism for describing the various pieces which comprise a program. These pieces include function names, variable names, section names, file names, struct/enum/union tag names, etc. Symbols in MPLAB IDE/MPLAB X IDE refer mainly to variable names, function names and assembly labels. The value of a symbol after linking is its value in memory.

Symbol, Absolute

Description

System Window Control

The system window control is located in the upper left corner of windows and some dialogs. Clicking on this control usually pops up a menu that has the items “Minimize,” “Maximize,” and “Close.”

Target

Refers to user hardware.

Target Application

Software residing on the target board.

Target Board

The circuitry and programmable device that makes up the target application.

Target Processor

The microcontroller device on the target application board.

Template

Lines of text that you build for inserting into your files at a later time. The MPLAB Editor stores templates in template files.

Term

Represents an immediate value such as a definition through the assembly .equ directive.

Toolbar

A row or column of icons that you can click on to execute MPLAB IDE/MPLAB X IDE functions.

Trace

An emulator or simulator function that logs program execution. The emulator logs program execution into its trace buffer which is uploaded to the MPLAB IDE/MPLAB X IDE trace window.

Trace Memory

Trace memory contained within the emulator. Trace memory is sometimes called the trace buffer.

Trace Macro

A macro that will provide trace information from emulator data. Since this is a software trace, the macro must be added to code, the code must be recompiled or reassembled, and the target device must be programmed with this code before trace will work.

Trigger Output

Trigger output refers to an emulator output signal that can be generated at any address or address range, and is independent of the trace and breakpoint settings. Any number of trigger output points can be set.

Trigraphs

Three-character sequences, all starting with ??, that are defined by ISO C as replacements for single characters.

Unassigned Section

A section which has not been assigned to a specific target memory block in the linker command file. The linker must find a target memory block in which to allocate an unassigned section.

Uninitialized Data

Data which is defined without an initial value. In C,

```
int myVar;
```

defines a variable which will reside in an uninitialized data section.

Upload

The Upload function transfers data from a tool, such as an emulator or programmer, to the host computer or from the target board to the emulator.

USB

Universal Serial Bus. An external peripheral interface standard for communication between a computer and external peripherals over a cable using bi-serial transmission. USB 1.0/1.1 supports data transfer rates of 12 Mbps. Also referred to as high-speed USB, USB 2.0 supports data rates up to 480 Mbps.

Vector

The memory locations that an application will jump to when either a Reset or interrupt occurs.

Volatile

A variable qualifier which prevents the compiler applying optimizations that affect how the variable is accessed in memory.

Warning

Warning

MPLAB IDE/MPLAB X IDE: An alert that is provided to warn you of a situation that would cause physical damage to a device, software file, or equipment.

16-bit assembler/compiler: Warnings report conditions that may indicate a problem, but do not halt processing.

Watch Variable

A variable that you may monitor during a debugging session in a Watches window.

Watches Window

Watches windows contain a list of watch variables that are updated at each breakpoint.

Watchdog Timer (WDT)

A timer on a PIC microcontroller that resets the processor after a selectable length of time. The WDT is enabled or disabled and set up using Configuration bits.

Workbook

For MPLAB SIM stimulator, a setup for generation of SCL stimulus.

The Microchip Web Site

Microchip provides online support via our web site at www.microchip.com/. This web site is used as a means to make files and information easily available to customers. Accessible by using your favorite Internet browser, the web site contains the following information:

- **Product Support** – Data sheets and errata, application notes and sample programs, design resources, user's guides and hardware support documents, latest software releases and archived software
- **General Technical Support** – Frequently Asked Questions (FAQ), technical support requests, online discussion groups, Microchip consultant program member listing
- **Business of Microchip** – Product selector and ordering guides, latest Microchip press releases, listing of seminars and events, listings of Microchip sales offices, distributors and factory representatives

Customer Change Notification Service

Microchip's customer notification service helps keep customers current on Microchip products. Subscribers will receive e-mail notification whenever there are changes, updates, revisions or errata related to a specified product family or development tool of interest.

To register, access the Microchip web site at www.microchip.com/. Under "Support", click on "Customer Change Notification" and follow the registration instructions.

Customer Support

Users of Microchip products can receive assistance through several channels:

- Distributor or Representative
- Local Sales Office
- Field Application Engineer (FAE)
- Technical Support

Customers should contact their distributor, representative or Field Application Engineer (FAE) for support. Local sales offices are also available to help customers. A listing of sales offices and locations is included in the back of this document.

Technical support is available through the web site at: www.microchip.com/support

Microchip Devices Code Protection Feature

Note the following details of the code protection feature on Microchip devices:

- Microchip products meet the specification contained in their particular Microchip Data Sheet.
- Microchip believes that its family of products is one of the most secure families of its kind on the market today, when used in the intended manner and under normal conditions.
- There are dishonest and possibly illegal methods used to breach the code protection feature. All of these methods, to our knowledge, require using the Microchip products in a manner outside the operating specifications contained in Microchip's Data Sheets. Most likely, the person doing so is engaged in theft of intellectual property.
- Microchip is willing to work with the customer who is concerned about the integrity of their code.
- Neither Microchip nor any other semiconductor manufacturer can guarantee the security of their code. Code protection does not mean that we are guaranteeing the product as "unbreakable."

Code protection is constantly evolving. We at Microchip are committed to continuously improving the code protection features of our products. Attempts to break Microchip's code protection feature may be a violation of the Digital Millennium Copyright Act. If such acts allow unauthorized access to your software or other copyrighted work, you may have a right to sue for relief under that Act.

Legal Notice

Information contained in this publication regarding device applications and the like is provided only for your convenience and may be superseded by updates. It is your responsibility to ensure that your application meets with your specifications. MICROCHIP MAKES NO REPRESENTATIONS OR WARRANTIES OF ANY KIND WHETHER EXPRESS OR IMPLIED, WRITTEN OR ORAL, STATUTORY OR OTHERWISE, RELATED TO THE INFORMATION, INCLUDING BUT NOT LIMITED TO ITS CONDITION, QUALITY, PERFORMANCE, MERCHANTABILITY OR FITNESS FOR PURPOSE. Microchip disclaims all liability arising from this information and its use. Use of Microchip devices in life support and/or safety applications is entirely at the buyer's risk, and the buyer agrees to defend, indemnify and hold harmless Microchip from any and all damages, claims, suits, or expenses resulting from such use. No licenses are conveyed, implicitly or otherwise, under any Microchip intellectual property rights unless otherwise stated.

Trademarks

The Microchip name and logo, the Microchip logo, Adaptec, AnyRate, AVR, AVR logo, AVR Freaks, BesTime, BitCloud, chipKIT, chipKIT logo, CryptoMemory, CryptoRF, dsPIC, FlashFlex, flexPWR, HELDO, IGLOO, JukeBlox, KeeLoq, Klear, LANCheck, LinkMD, maXStylus, maXTouch, MediaLB, megaAVR, Microsemi, Microsemi logo, MOST, MOST logo, MPLAB, OptoLyzer, PackeTime, PIC, picoPower, PICSTART, PIC32 logo, PolarFire, Prochip Designer, QTouch, SAM-BA, SenGenuity, SpyNIC, SST, SST Logo, SuperFlash, Symmetricom, SyncServer, Tachyon, TempTrackr, TimeSource, tinyAVR, UNI/O, Vectron, and XMEGA are registered trademarks of Microchip Technology Incorporated in the U.S.A. and other countries.

APT, ClockWorks, The Embedded Control Solutions Company, EtherSynch, FlashTec, Hyper Speed Control, HyperLight Load, IntelliMOS, Libero, motorBench, mTouch, Powermite 3, Precision Edge, ProASIC, ProASIC Plus, ProASIC Plus logo, Quiet-Wire, SmartFusion, SyncWorld, Temux, TimeCesium, TimeHub, TimePictra, TimeProvider, Vite, WinPath, and ZL are registered trademarks of Microchip Technology Incorporated in the U.S.A.

Adjacent Key Suppression, AKS, Analog-for-the-Digital Age, Any Capacitor, AnyIn, AnyOut, BlueSky, BodyCom, CodeGuard, CryptoAuthentication, CryptoAutomotive, CryptoCompanion, CryptoController, dsPICDEM, dsPICDEM.net, Dynamic Average Matching, DAM, ECAN, EtherGREEN, In-Circuit Serial Programming, ICSP, INICnet, Inter-Chip Connectivity, JitterBlocker, KlearNet, KlearNet logo, memBrain, Mindi, MiWi, MPASM, MPF, MPLAB Certified logo, MPLIB, MPLINK, MultiTRAK, NetDetach, Omniscient Code Generation, PICDEM, PICDEM.net, PICkit, PICtail, PowerSmart, PureSilicon, QMatrix, REAL ICE, Ripple Blocker, SAM-ICE, Serial Quad I/O, SMART-I.S., SQI, SuperSwitcher, SuperSwitcher II, Total Endurance, TSHARC, USBCheck, VariSense, ViewSpan, WiperLock, Wireless DNA, and ZENA are trademarks of Microchip Technology Incorporated in the U.S.A. and other countries.

SQTP is a service mark of Microchip Technology Incorporated in the U.S.A.

The Adaptec logo, Frequency on Demand, Silicon Storage Technology, and Symmcom are registered trademarks of Microchip Technology Inc. in other countries.

GestIC is a registered trademark of Microchip Technology Germany II GmbH & Co. KG, a subsidiary of Microchip Technology Inc., in other countries.

All other trademarks mentioned herein are property of their respective companies.

© 2020, Microchip Technology Incorporated, Printed in the U.S.A., All Rights Reserved.

ISBN: 978-1-5224-6271-2

Quality Management System Certified by DNV

ISO/TS 16949

Microchip received ISO/TS-16949:2009 certification for its worldwide headquarters, design and wafer fabrication facilities in Chandler and Tempe, Arizona; Gresham, Oregon and design centers in California and India. The Company's quality system processes and procedures are for its PIC® MCUs and dsPIC® DSCs, KEELOQ® code hopping devices, Serial EEPROMs, microperipherals, nonvolatile memory and analog products. In addition, Microchip's quality system for the design and manufacture of development systems is ISO 9001:2000 certified.

Worldwide Sales and Service

AMERICAS	ASIA/PACIFIC	ASIA/PACIFIC	EUROPE
<p>Corporate Office 2355 West Chandler Blvd. Chandler, AZ 85224-6199 Tel: 480-792-7200 Fax: 480-792-7277 Technical Support: http://www.microchip.com/support Web Address: www.microchip.com</p> <p>Atlanta Duluth, GA Tel: 678-957-9614 Fax: 678-957-1455</p> <p>Austin, TX Tel: 512-257-3370</p> <p>Boston Westborough, MA Tel: 774-760-0087 Fax: 774-760-0088</p> <p>Chicago Itasca, IL Tel: 630-285-0071 Fax: 630-285-0075</p> <p>Dallas Addison, TX Tel: 972-818-7423 Fax: 972-818-2924</p> <p>Detroit Novi, MI Tel: 248-848-4000</p> <p>Houston, TX Tel: 281-894-5983</p> <p>Indianapolis Noblesville, IN Tel: 317-773-8323 Fax: 317-773-5453 Tel: 317-536-2380</p> <p>Los Angeles Mission Viejo, CA Tel: 949-462-9523 Fax: 949-462-9608 Tel: 951-273-7800</p> <p>Raleigh, NC Tel: 919-844-7510</p> <p>New York, NY Tel: 631-435-6000</p> <p>San Jose, CA Tel: 408-735-9110 Tel: 408-436-4270</p> <p>Canada - Toronto Tel: 905-695-1980 Fax: 905-695-2078</p>	<p>Asia Pacific Office Suites 3707-14, 37th Floor Tower 6, The Gateway Harbour City, Kowloon</p> <p>Hong Kong Tel: 852-2943-5100 Fax: 852-2401-3431</p> <p>Australia - Sydney Tel: 61-2-9868-6733 Fax: 61-2-9868-6755</p> <p>China - Beijing Tel: 86-10-8569-7000 Fax: 86-10-8528-2104</p> <p>China - Chengdu Tel: 86-28-8665-5511 Fax: 86-28-8665-7889</p> <p>China - Chongqing Tel: 86-23-8980-9588 Fax: 86-23-8980-9500</p> <p>China - Dongguan Tel: 86-769-8702-9880</p> <p>China - Guangzhou Tel: 86-20-8755-8029</p> <p>China - Hangzhou Tel: 86-571-8792-8115 Fax: 86-571-8792-8116</p> <p>China - Hong Kong SAR Tel: 852-2943-5100 Fax: 852-2401-3431</p> <p>China - Nanjing Tel: 86-25-8473-2460 Fax: 86-25-8473-2470</p> <p>China - Qingdao Tel: 86-532-8502-7355 Fax: 86-532-8502-7205</p> <p>China - Shanghai Tel: 86-21-3326-8000 Fax: 86-21-3326-8021</p> <p>China - Shenyang Tel: 86-24-2334-2829 Fax: 86-24-2334-2393</p> <p>China - Shenzhen Tel: 86-755-8864-2200 Fax: 86-755-8203-1760</p> <p>China - Wuhan Tel: 86-27-5980-5300 Fax: 86-27-5980-5118</p> <p>China - Xian Tel: 86-29-8833-7252 Fax: 86-29-8833-7256</p>	<p>China - Xiamen Tel: 86-592-2388138 Fax: 86-592-2388130</p> <p>China - Zhuhai Tel: 86-756-3210040 Fax: 86-756-3210049</p> <p>India - Bangalore Tel: 91-80-3090-4444 Fax: 91-80-3090-4123</p> <p>India - New Delhi Tel: 91-11-4160-8631 Fax: 91-11-4160-8632</p> <p>India - Pune Tel: 91-20-3019-1500</p> <p>Japan - Osaka Tel: 81-6-6152-7160 Fax: 81-6-6152-9310</p> <p>Japan - Tokyo Tel: 81-3-6880-3770 Fax: 81-3-6880-3771</p> <p>Korea - Daegu Tel: 82-53-744-4301 Fax: 82-53-744-4302</p> <p>Korea - Seoul Tel: 82-2-554-7200 Fax: 82-2-558-5932 or 82-2-558-5934</p> <p>Malaysia - Kuala Lumpur Tel: 60-3-6201-9857 Fax: 60-3-6201-9859</p> <p>Malaysia - Penang Tel: 60-4-227-8870 Fax: 60-4-227-4068</p> <p>Philippines - Manila Tel: 63-2-634-9065 Fax: 63-2-634-9069</p> <p>Singapore Tel: 65-6334-8870 Fax: 65-6334-8850</p> <p>Taiwan - Hsin Chu Tel: 886-3-5778-366 Fax: 886-3-5770-955</p> <p>Taiwan - Kaohsiung Tel: 886-7-213-7830</p> <p>Taiwan - Taipei Tel: 886-2-2508-8600 Fax: 886-2-2508-0102</p> <p>Thailand - Bangkok Tel: 66-2-694-1351 Fax: 66-2-694-1350</p>	<p>Austria - Wels Tel: 43-7242-2244-39 Fax: 43-7242-2244-393</p> <p>Denmark - Copenhagen Tel: 45-4450-2828 Fax: 45-4485-2829</p> <p>Finland - Espoo Tel: 358-9-4520-820</p> <p>France - Paris Tel: 33-1-69-53-63-20 Fax: 33-1-69-30-90-79</p> <p>Germany - Garching Tel: 49-8931-9700</p> <p>Germany - Haan Tel: 49-2129-3766400</p> <p>Germany - Heilbronn Tel: 49-7131-67-3636</p> <p>Germany - Karlsruhe Tel: 49-721-625370</p> <p>Germany - Munich Tel: 49-89-627-144-0 Fax: 49-89-627-144-44</p> <p>Germany - Rosenheim Tel: 49-8031-354-560</p> <p>Israel - Ra'anana Tel: 972-9-744-7705</p> <p>Italy - Milan Tel: 39-0331-742611 Tel: 39-0331-466781</p> <p>Italy - Padova Tel: 39-049-7625286</p> <p>Netherlands - Druenen Tel: 31-416-690399 Fax: 31-416-690340</p> <p>Norway - Trondheim Tel: 47-7289-7561</p> <p>Poland - Warsaw Tel: 48-22-3325737</p> <p>Romania - Bucharest Tel: 40-21-407-87-50</p> <p>Spain - Madrid Tel: 34-91-708-08-90 Fax: 34-91-708-08-91</p> <p>Sweden - Gothenberg Tel: 46-31-704-60-40</p> <p>Sweden - Stockholm Tel: 46-8-5090-4654</p> <p>UK - Wokingham Tel: 44-118-921-5800 Fax: 44-118-921-5820</p>