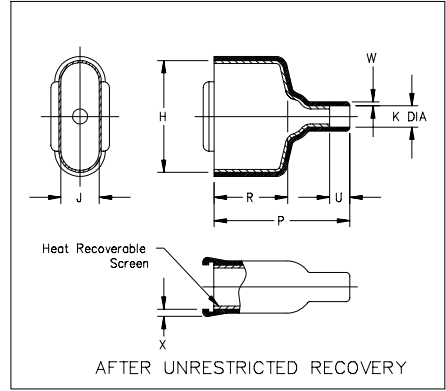
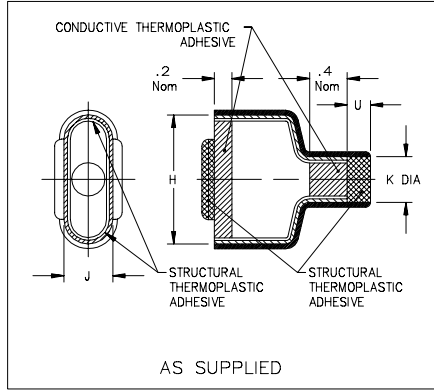


Thermofit<sup>®</sup> Molded Parts  
 Specification Control Drawing  
 Limited Distribution

Part Number : 214A0XX-3S/200  
 Description : Boot, Rectangular,  
 D-Subminiature, Straight,  
 with Heat Recoverable Screen

NOTES

- All dimensions are in  $\frac{\text{Inches}}{\text{(Millimeters)}}$
- Dimensions appearing in table are as follows:  
 a - as supplied  
 b - after unrestricted recovery
- Coating is standard. As supplied dimensions appearing in table are for uncoated parts. When coating is added entry diameters will be reduced by .06 max.  
 a - Conductive thermoplastic adhesive  
 b - Structural thermoplastic adhesive



Part Number	H		J		K		P Ref b	R Ref b	U		W ±20% b	X ±20% b
	Min a	±5% b	Min a	±5% b	Min a	Max b			Min a	±20% b		
214A011-3S/200	.82 [20,8]	.80 [20,3]	.62 [15,7]	.42 [10,7]	.35 [9,0]	.16 [4,1]	1.30 [33,0]	.75 [19,0]	.08 [2,0]	.16 [4,0]	.04 [1,0]	.12 [3,0]
214A021-3S/200	1.14 [29,0]	1.11 [28,2]	.62 [15,7]	.42 [10,7]	.43 [11,0]	.21 [5,3]	1.54 [39,0]	.87 [22,0]	.15 [3,8]	.24 [6,0]	.04 [1,0]	.12 [3,0]
214A032-3S/200	1.69 [42,8]	1.66 [42,2]	.62 [15,7]	.42 [10,7]	.59 [15,0]	.32 [8,1]	1.77 [45,0]	.98 [25,0]	.20 [5,0]	.25 [6,3]	.04 [1,0]	.12 [3,0]
214A042-3S/200	2.34 [59,5]	2.31 [58,7]	.59 [15,0]	.42 [10,7]	.75 [19,0]	.34 [8,6]	2.09 [53,0]	1.10 [28,0]	.20 [5,0]	.35 [9,0]	.04 [1,0]	.12 [3,0]
214A052-3S/200	2.28 [58,0]	2.28 [57,9]	.69 [17,5]	.54 [13,7]	.83 [21,0]	.42 [10,7]	2.40 [61,0]	1.26 [32,0]	.26 [6,5]	.39 [10,0]	.04 [1,0]	.12 [3,0]

**Raychem**  
 RAYCHEM CORPORATION  
 300 CONSTITUTION DRIVE  
 MENLO PARK, CALIFORNIA 94025

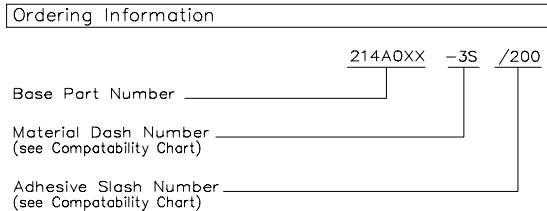
Revision : D  
 Date : 12/1/94  
 Part Number : 214A0XX-3S/200  
 Description : Boot, Rectangular,  
 D-Subminiature, Straight,  
 with Heat Recoverable Screen

Thermofit<sup>®</sup> Molded Parts  
 Specification Control Drawing  
 Limited Distribution

Part Number : 214A0XX-3S/200  
 Description : Boot, Rectangular,  
 D-Subminiature, Straight,  
 with Heat Recoverable Screen

Material Dash No.	Material Description	RT Spec	Coating Slash No.	Coating S No.	Coating Description
-3S	Polyolefin/Copper Composite	RT-1370	/200	N/A	Adhesives

**If this document is printed it becomes uncontrolled.  
 Check for the latest revision.**



THIS DRAWING IS SUBJECT TO CHANGE WITHOUT NOTICE; CONSULT YOUR NEAREST FIELD REPRESENTATIVE FOR CURRENT REVISION

**Raychem**  
 RAYCHEM CORPORATION  
 300 CONSTITUTION DRIVE  
 MENLO PARK, CALIFORNIA 94025

Revision : D  
 Date : 12/1/94  
 Part Number : 214A0XX-3S/200  
 Description : Boot, Rectangular,  
 D-Subminiature, Straight,  
 with Heat Recoverable Screen