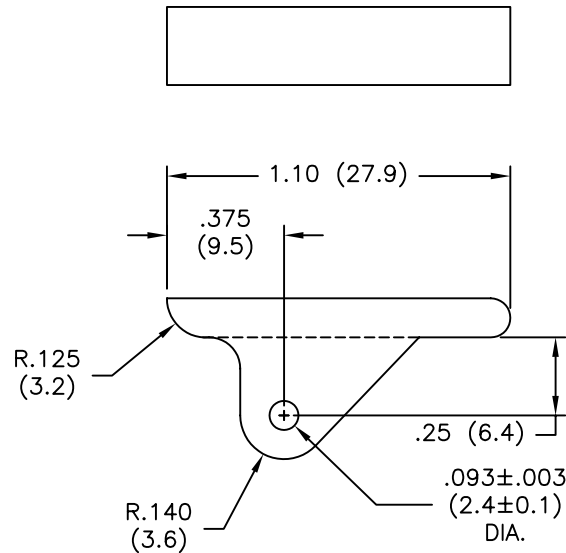
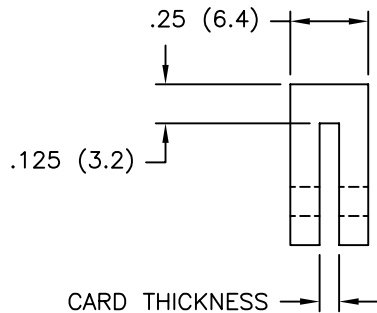
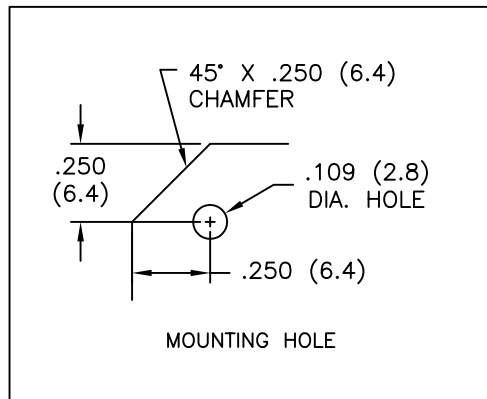


PART NO.	CARD THICKNESS
RCP-36	1/16 (1.6)
RCP-39	3/32 (2.4)



NOTES:

1. MATERIAL: NYLON 6/6 (RMS-48).
2. COLOR: WHITE.
3. INSTALLATION ROLL PIN NO. RRP-250, MATERIAL: PASSIVATED STAINLESS STEEL PER MIL-P-10971. COLOR: SILVER.
 3/32 (2.4) DIA. X 1/4 (6.4) LONG, FURNISHED WITH EJECTORS.

TITLE: CARD EJECTORS		DWG IN IN (MM)	FINAL	PRINT TYPE CA
FILE # RCP	DWN: P.B.	APP:	PART # SEE TABLE	
MAT'L: SEE NOTES	DT: 04-07-94	DT:	RICHCO INC. PO BOX 804238, CHICAGO, 60680 (773) 539-4060	
RE: RICHCO, INC.	TOLERANCES UNLESS NOTED .XX=±.010 .XXX=±.005 FRAC=±1/64 ANG=±1°			

REV	DESCRIPTION	ENGR DATE
D	ADDED MOUNTING HOLE DETAIL, ECN #659	SM 07.02.03
C	ADDED NOTE 3 (ECN #472)	SM 09.26.02
B	CHANGED FILE NUMBER	SM 05.15.01
A	MAT'L COLOR WHITE WAS NATURAL	J.L. 3.17.99