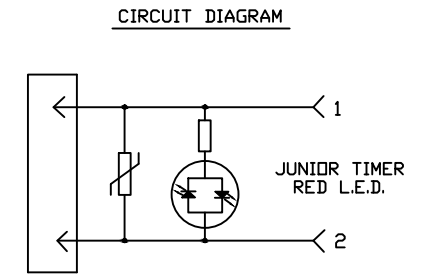
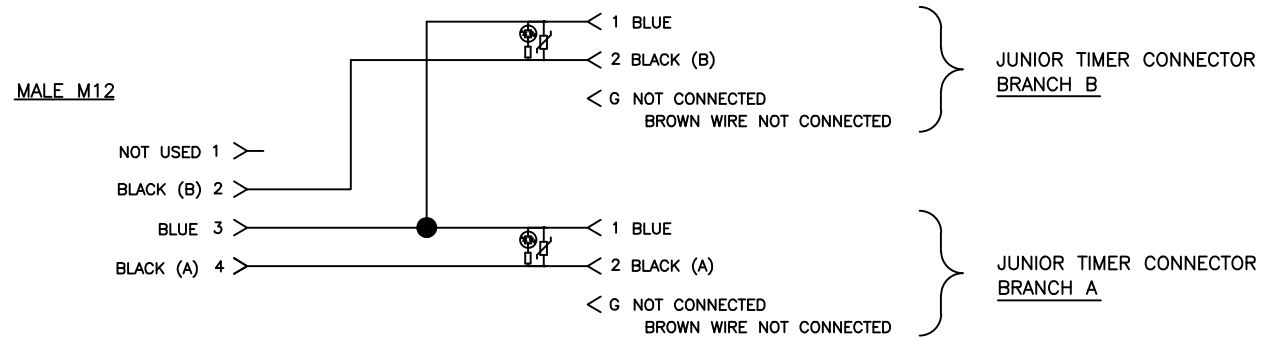
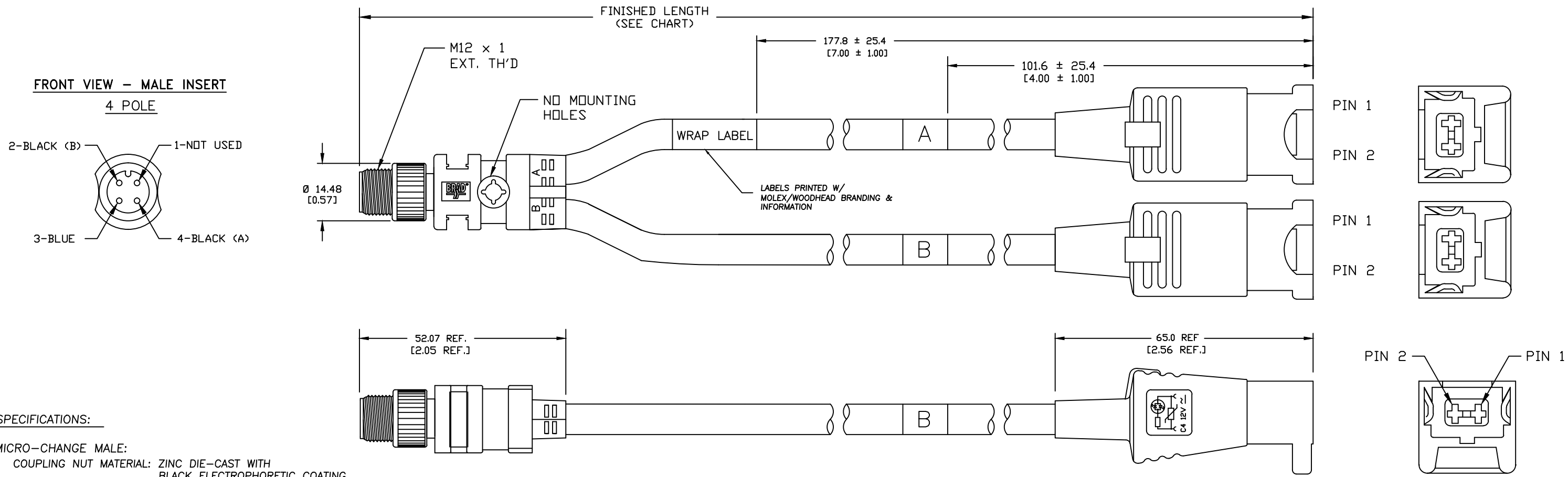


SAP P/N#	ENGINEERING P/N#	"L" (METERS)	TOLERANCE (mm)
1210560221	BG20615-M006	0.6 M	+44.5/-0.0
1210560220	BG20615-M015	1.5 M	+55.6/-0.0



ELECTRICAL SCHEMATIC



**SPECIFICATIONS:**

**MICRO-CHANGE MALE:**  
 COUPLING NUT MATERIAL: ZINC DIE-CAST WITH BLACK ELECTROPHORETIC COATING  
 CONTACT MATERIAL: GOLD/NICKEL OVER COPPER ALLOY  
 INSERT MATERIAL: BLACK NYLON  
 OVERMOLD: BLACK PVC

**JUNIOR TIMER CONNECTORS:**  
 OVERMOLD: BLACK PUR  
 CONTACT MATERIAL: GOLD/NICKEL OVER COPPER ALLOY

**CABLE:** #22/3 ORANGE PUR, (-40°C TO 105°C)  
 UV RESISTANT JACKET

**ASSEMBLY TEMPERATURE:** -25°C TO 90°C  
**VOLTAGE:** 12V, 4A  
**PROTECTION GRADE:** IP65 EN60529

NOT UL OR CSA RECOGNIZED.

ADD 0.6M & SAP# CHNG EC NO: WEU2012-0066 DRWN: VOU 8/31/11 CHKD: LHARTMAN APPR: JFMURPHY 2010/12/06	QUALITY SYMBOLS ▽=0 ◁=0	<b>GENERAL TOLERANCES (UNLESS SPECIFIED)</b>		<b>DIMENSION STYLE</b> <b>MM/INCH</b>		SCALE ---	DESIGN UNITS INCH	THIRD ANGLE PROJECTION		
		4 PLACES	±---	±---	DRAWN BY	DATE	<b>MIC 4P MALE IN-LN SPLTR TO (2) JUNIOR TIMER #22-3 PUR CABLE</b>			
		3 PLACES	±---	±.005	CHECKED BY	DATE				
		2 PLACES	±0.13	±.010	APPROVED BY	DATE	<b>MOLEX INCORPORATED</b>			
1 PLACE	±0.25	±.020	JFMURPHY	2010/12/06						
ANGULAR ±1/2°		DRAFT WHERE APPLICABLE MUST REMAIN WITHIN DIMENSIONS		MATERIAL NO. <b>BG20615-XXXX</b>		DOCUMENT NO. <b>SD-121056-001</b>		SHEET NO. <b>1 OF 1</b>		
SIZE <b>B</b>		THIS DRAWING CONTAINS INFORMATION THAT IS PROPRIETARY TO MOLEX INCORPORATED AND SHOULD NOT BE USED WITHOUT WRITTEN PERMISSION								