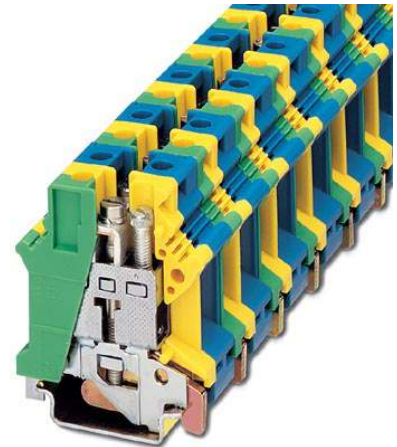


## UK 16 N-PE/N


Order No.: 3006179



<http://eshop.phoenixcontact.de/phoenix/treeViewClick.do?UID=3006179>

Ground modular terminal block, Type of connection: Screw connection, Cross section: 2.5 mm<sup>2</sup> - 25 mm<sup>2</sup>, AWG 12 - 4, Width: 24.4 mm, Color: green-yellow-blue, Mounting type: NS 35/7.5, NS 35/15, NS 32

### Commercial data

|                          |  |
|--------------------------|--|
| GTIN (EAN)               | <br>4 017918 091392 |
| sales group              | A020   |
| Pack                     | 10 pcs.  |
| Customs tariff           | 85369010   |
| Catalog page information | Page 229 (CL-2005)   |

### Product notes

WEEE/RoHS-compliant since:  
04/06/2005



<http://www.download.phoenixcontact.com>  
Please note that the data given here has been taken from the online catalog. For comprehensive information and data, please refer to the user documentation. The General Terms and Conditions of Use apply to Internet downloads.

### Technical data

#### General

|                       |   |
|-----------------------|---|
| Number of levels      | 1 |
| Number of connections | 2 |

|                                    |                   |
|------------------------------------|-------------------|
| Color                              | green-yellow-blue |
| Insulating material                | PA                |
| Inflammability class acc. to UL 94 | V0                |

**Dimensions**

|                  |         |
|------------------|---------|
| Width            | 24.4 mm |
| Length           | 42.5 mm |
| Height NS 35/7.5 | 54 mm   |
| Height NS 35/15  | 61.5 mm |
| Height NS 32     | 59 mm   |

**Technical data**

|                                  |   |
|----------------------------------|---|
| Maximum load current             | 101 A (with 25 mm <sup>2</sup> conductor cross section) |
| Rated surge voltage              | 8 kV  |
| Pollution degree                 | 3   |
| Surge voltage category           | III   |
| Insulating material group        | I   |
| Connection in acc. with standard | IEC / EN  |
| Nominal current I <sub>N</sub>   | 101 A   |
| Nominal voltage U <sub>N</sub>   | 690 V   |

**Connection data**

|  |                     |
|--|---------------------|
| Conductor cross section solid min.   | 2.5 mm <sup>2</sup> |
| Conductor cross section solid max.   | 25 mm <sup>2</sup>  |
| Conductor cross section stranded min.                                      | 4 mm <sup>2</sup>   |
| Conductor cross section stranded max.                                      | 16 mm <sup>2</sup>  |
| Conductor cross section AWG/kcmil min.                                     | 12                  |
| Conductor cross section AWG/kcmil max                                      | 4                   |
| Conductor cross section stranded, with ferrule without plastic sleeve min. | 1.5 mm <sup>2</sup> |
| Conductor cross section stranded, with ferrule without plastic sleeve max. | 16 mm <sup>2</sup>  |
| Conductor cross section stranded, with ferrule with plastic sleeve min.    | 1.5 mm <sup>2</sup> |
| Conductor cross section stranded, with ferrule with plastic sleeve max.    | 16 mm <sup>2</sup>  |
| 2 conductors with same cross section, solid min.                           | 1.5 mm <sup>2</sup> |
| 2 conductors with same cross section, solid max.                           | 6 mm <sup>2</sup>   |

|   |                     |
|---|---------------------|
| 2 conductors with same cross section, stranded min.                                     | 1.5 mm <sup>2</sup> |
| 2 conductors with same cross section, stranded max.                                     | 4 mm <sup>2</sup>   |
| 2 conductors with same cross section, stranded, ferrules without plastic sleeve, min.   | 1.5 mm <sup>2</sup> |
| 2 conductors with same cross section, stranded, ferrules without plastic sleeve, max.   | 6 mm <sup>2</sup>   |
| 2 conductors with same cross section, stranded, TWIN ferrules with plastic sleeve, min. | 1.5 mm <sup>2</sup> |
| 2 conductors with same cross section, stranded, TWIN ferrules with plastic sleeve, max. | 10 mm <sup>2</sup>  |
| Type of connection  | Screw connection    |
| Stripping length  | 11 mm               |
| Internal cylindrical gage   | B7                  |
| Screw thread  | M4                  |
| Tightening torque, min  | 1.5 Nm              |
| Tightening torque max   | 1.8 Nm              |

### Certificates / Approvals



Certification

GOST

### Accessories

| Item | Designation | Description |
|------|-------------|-------------|
|------|-------------|-------------|

#### Assembly

|         |                               |   |
|---------|-------------------------------|---|
| 1201028 | NS 32 AL UNPERF 2000MM        | G rail 32 mm (NS 32)  |
| 1201280 | NS 32 CU/120QMM UNPERF 2000MM | G-profile DIN rail, deep-drawn, material: Copper, unperforated, height 15 mm, width 32 mm, length 2 m |
| 1201358 | NS 32 CU/35QMM UNPERF 2000MM  | G-profile DIN rail, material: Copper, unperforated, height 15 mm, width 32 mm, length 2 m             |
| 1201002 | NS 32 PERF 2000MM             | G-profile DIN rail, material: Steel, perforated, height 15 mm, width 32 mm, length 2 m                |
| 1201015 | NS 32 UNPERF 2000MM           | G-profile DIN rail, material: Steel, unperforated, height 15 mm, width 32 mm, length 2 m              |

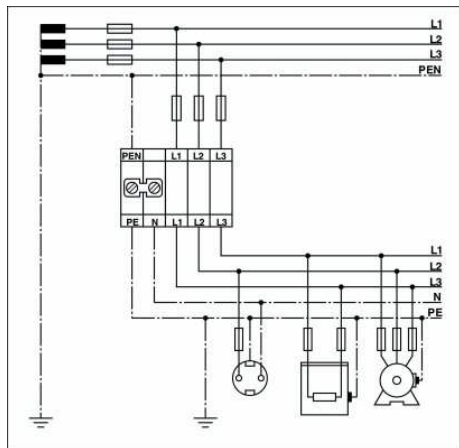
|         |                             |  |
|---------|-----------------------------|--|
| 0801762 | NS 35/ 7,5 CU UNPERF 2000MM | DIN rail, material: Copper, unperforated, height 7.5 mm, width 35 mm, length: 2 m  |
| 0801733 | NS 35/ 7,5 PERF 2000MM      | DIN rail, material: Steel, galvanized and passivated with a thick layer, perforated, height 7.5 mm, width 35 mm, length: 2 m |
| 0801681 | NS 35/ 7,5 UNPERF 2000MM    | DIN rail, material: Steel, unperforated, height 7.5 mm, width 35 mm, length: 2 m   |
| 1201895 | NS 35/15 CU UNPERF 2000MM   | DIN rail, material: Copper, unperforated, 1.5 mm thick, height 15 mm, width 35 mm, length: 2 m                               |
| 1201730 | NS 35/15 PERF 2000MM        | DIN rail, material: Steel, perforated, height 15 mm, width 35 mm, length: 2 m  |
| 1201714 | NS 35/15 UNPERF 2000MM      | DIN rail, material: Steel, unperforated, height 15 mm, width 35 mm, length: 2 m  |
| 1302215 | TS-K                        | Separating plate, Length: 22 mm, Height: 22 mm, Color: gray  |

**Marking**

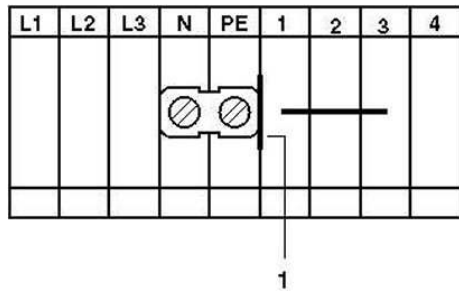
|         |                  |   |
|---------|------------------|---|
| 1007248 | SBS10:UNBEDRUCKT | Marker cards, unprinted, for individual labeling with the M-PEN, 250-section, perforated, white plastic |
| 1050525 | ZB10:SO/CMS      | Zack strip, 10-section, divisible, special printing, marking according to customer requirements         |

**Diagrams/Drawings**

Connection diagram



Circuit diagram



1 = separating plate

**Address**

PHOENIX CONTACT Deutschland GmbH  
Flachmarktstr. 8  
32825 Blomberg, Germany  
Phone +49 5235 3 12000  
Fax +49 5235 3 41200  
<http://www.phoenixcontact.de>



© 2011 Phoenix Contact  
Technical modifications reserved;