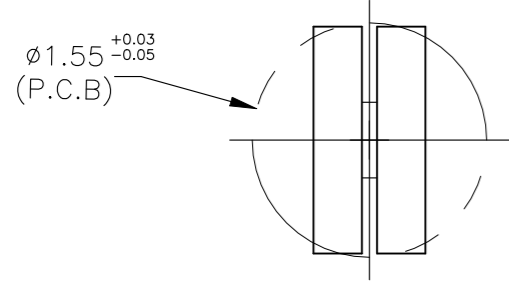
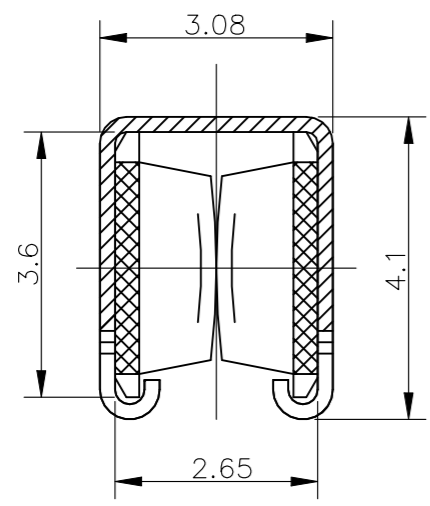


THIS DRAWING IS UNPUBLISHED. RELEASED FOR PUBLICATION
 © COPYRIGHT - TE Connectivity ALL RIGHTS RESERVED.

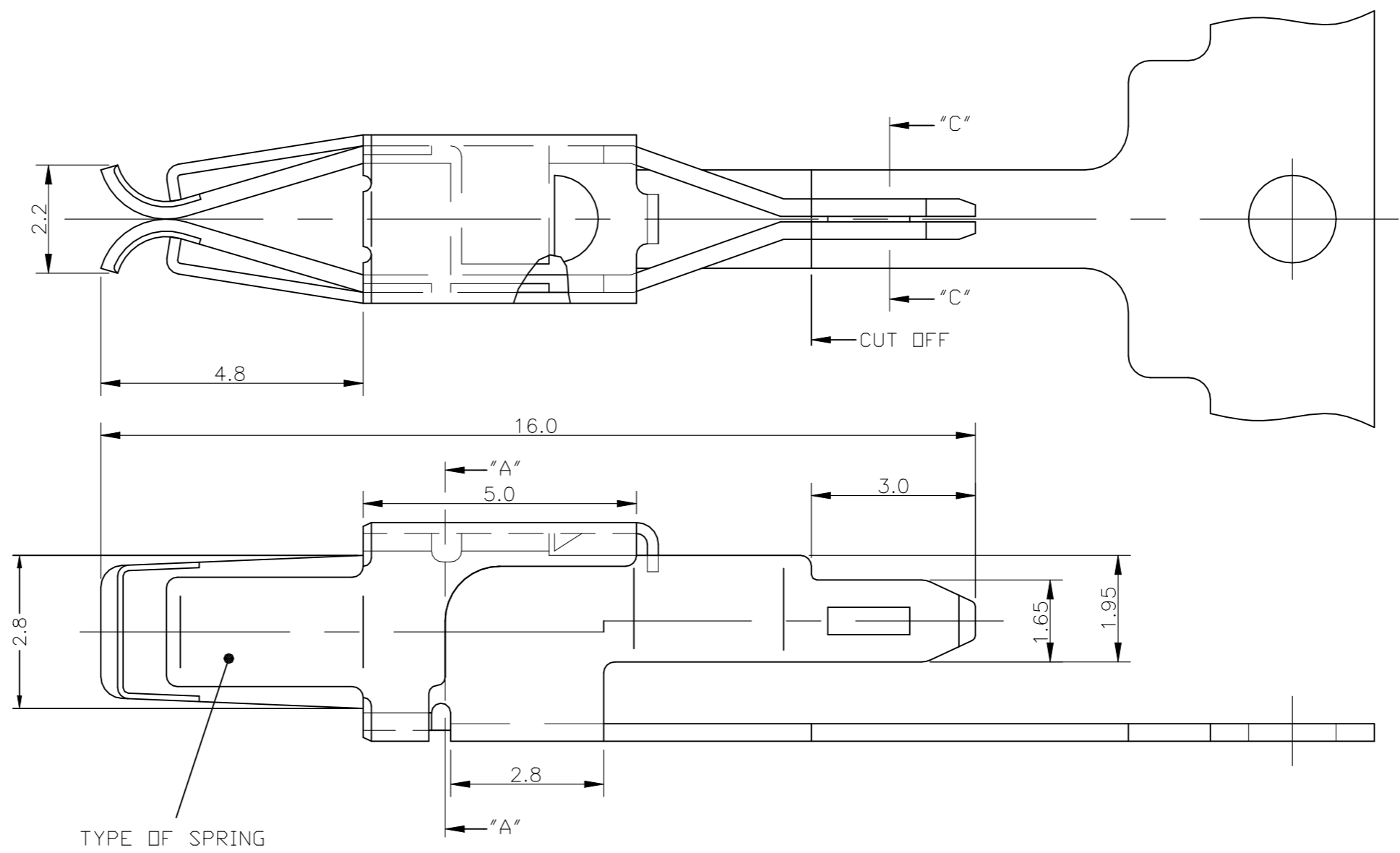
P	LTR	DESCRIPTION	DATE	DWN	APVD
	J3	REVISEC(ECR-22-133506)	23MAR2022	HJ	YJ



SECTION "C-C"
SCALE = 20:1



SECTION "A-A"

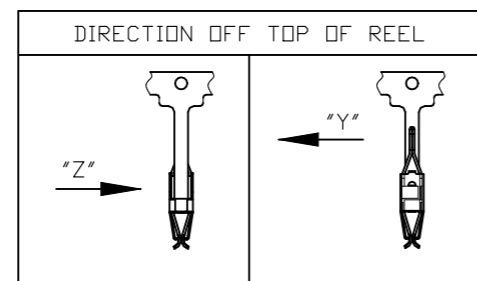


NOTE
- TOLERANCES UNLESS OTHERWISE SPECIFIED

DIM.	TOL.
0 < XX < 10	± 0.2
10 ≤ XX < 30	± 0.25
30 ≤ XX < 100	± 0.3
ANGLES	± 3°

FINISH	MATERIAL	P/N	REEL DIRECTION	REMARKS
PRE-TINNED	MAKE FROM 368067-2	4-368067-1	"Z"	CONTI' CHINA
PRE-TINNED	MAKE FROM 368067-2	3-368067-2	-	LOOSE PIECE
PRE-TINNED	CuNiSi 0.32Thk	2-368067-1	"Y"	LOCAL ONLY
PRE-TINNED	CuNiSi 0.32Thk	368067-3	"Z"	EXPORT ONLY
PRE-TINNED	CuNiSi 0.32Thk	1-368067-2	"Y"	-
PRE-TINNED	CuNiSi 0.32Thk	368067-2	"Z"	PAPER REEL

OBSELETE
 J3 REACTIVATION



THIS DRAWING IS A CONTROLLED DOCUMENT.	
DIMENSIONS: mm	TOLERANCES UNLESS OTHERWISE SPECIFIED:
	0 PLC ± -
	1 PLC ± -
	2 PLC ± -
	3 PLC ± -
	4 PLC ± -
	ANGLES ± -
MATERIAL SEE TABLE	FINISH SEE TABLE

DWN MJ KWON 30JAN2020	TE Connectivity JPT TYPE MINI FUSE REC. CONTACT FOR P.C.B
CHK JY KIM 30JAN2020	
APVD YJ YOUN 30JAN2020	
PRODUCT SPEC 108-61042	
APPLICATION SPEC	RESTRICTED TO
WEIGHT 0	SIZE A3
CUSTOMER DRAWING	CAGE CODE 00779
SCALE 10:1	DRAWING NO C-368067
SHEET 1 OF 1	REV J3