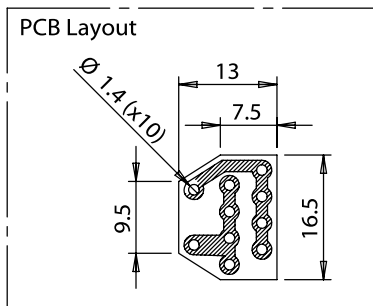
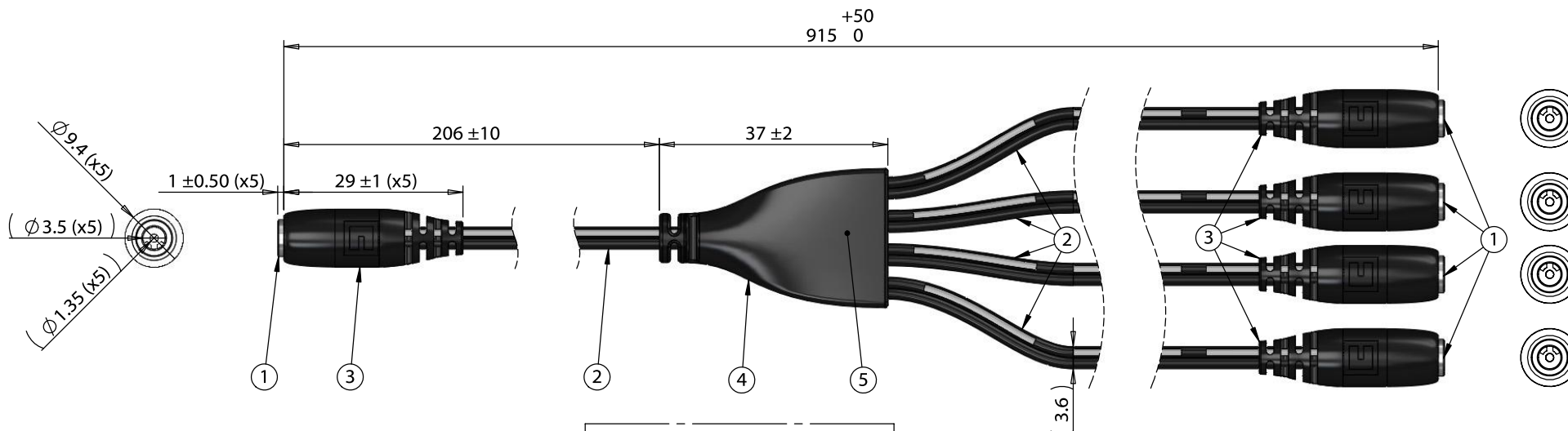


ITEM NO.	PART NUMBER	DESCRIPTION	QTY.	COMPONENT NOTES
1	50-00057	Connector, dc jack, 3.5x1.35x16.5 mm, molding style	5	
2	30-00003	Wire, 2C BC, 24 AWG, UL2468, 300V, 80C, 3.6 mm, VW-1, PVC, 76A	5	
3	24-00005	Overmold, PVC	5	black
4	24-00219	Overmold, splitter, Ø 8.0 mm by 10.0x22.6 mm	1	black
5	PCB	Splitter PCB, FR4, two-layer, tin, 13.0x16.5x1.6 mm	1	



Wiring Diagram		
50-00057	wire color	50-00057
center	black with stripe	center
sleeve	black	sleeve

Notes:
Functionally equivalent components may be substituted

Revision:	Date:	Description:	Prepared:	Notes:	<h1>TENSILITY</h1> tel 1.541.323.3228 800 877.670.7118 fax 1.541.323.4202 web tensility.com
A	4/13/2018	Initial release	JP <small>Digitally signed by JP Date: 2018.04.13 16:32:08 -0700</small>		
			Verified:	Function test: no open, no short circuit, no intermittent	Size: Part number:
			AW <small>Digitally signed by AW Date: 2018.04.16 16:11:05 -0700</small>	Description:	A 10-02796
			Dimensions are in millimeters. Tolerances: X: ± 0.5 mm X.X: ± 0.3 mm X.XX: ± 0.05 mm	Cable, 915 mm, 3.5x1.35 mm 50-00057 dc jack to y-split to 4x 3.5x1.35 mm dc jack, 24 AWG	Scale: 1:1
					Sheet 1 of 1

5

4

3

2

1