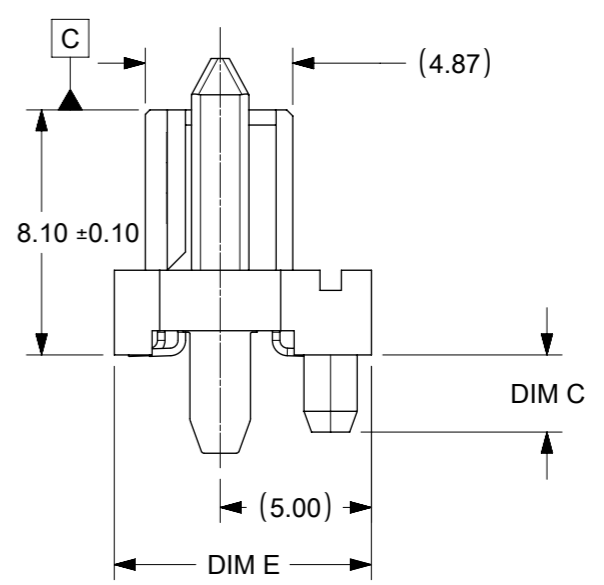


- NOTES:
- MATERIALS:
HOUSING: LCP, GLASS FILLED, UL94V-0, COLOR: BLACK
PICK AND PLACE CAP: LCP, GLASS FILLED, UL94V-0, COLOR: BLACK
TERMINALS & MOUNT BLADE: COPPER ALLOY
 - FINISHES:
TERMINALS:
0.76µM MIN GOLD ON CONTACTS OVER 1.27µM MIN NICKEL UNDERPLATE.
2.54µM MIN TIN ON SOLDER TAIL OVER 1.27µM MIN NICKEL UNDERPLATE.
MOUNT BLADE: 2.54µM MIN TIN OVER 1.27µM MIN NICKEL UNDERPLATE
 - PRODUCT SPECIFICATION: 2072030001-PS
 - PACKAGING SPECIFICATION: 2072030008-PK
 - MATES WITH MOLEX SAS4/PCIE PLUG.
 - NON FUNCTIONAL CORING TO VARY.
 - MOLEX LOGO, DATE CODE AND PART NUMBER TO BE LOCATED APPROXIMATELY AS SHOWN.
 - REFER TO APPLICATION SPECIFICATION 2079721004-AS FOR PCB ROUTING RECOMMENDATIONS.
 - COPLANARITY 0.10MM MAX.

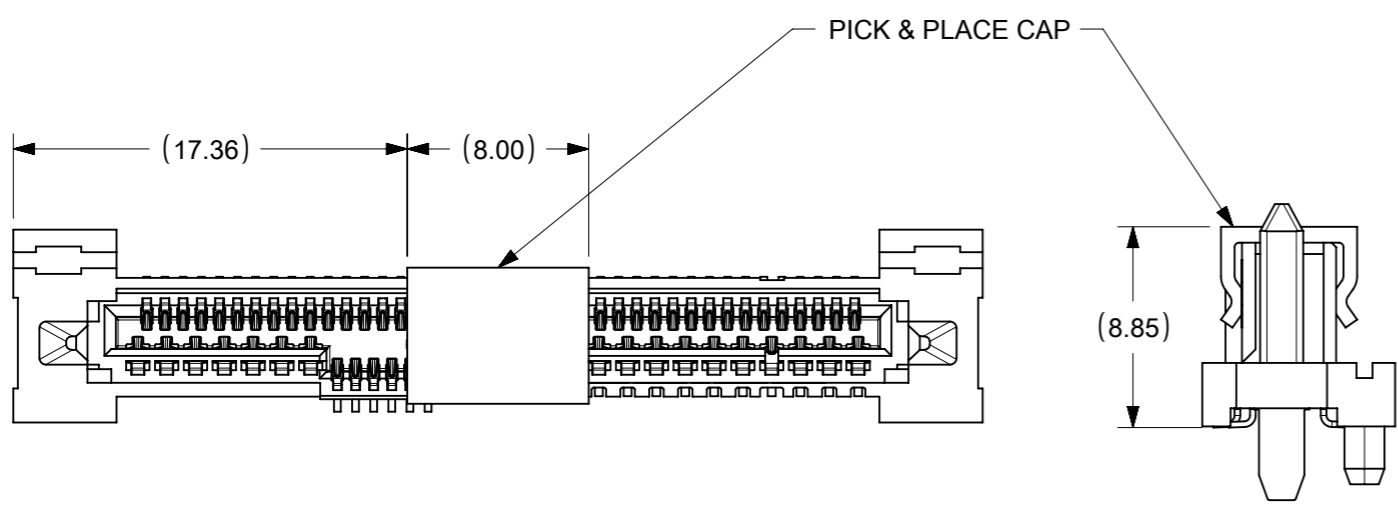
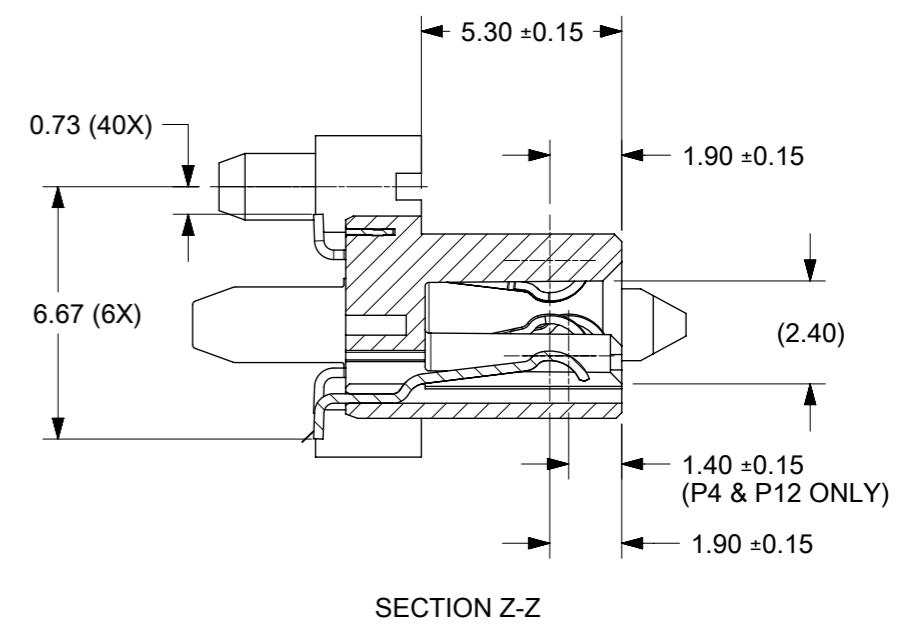
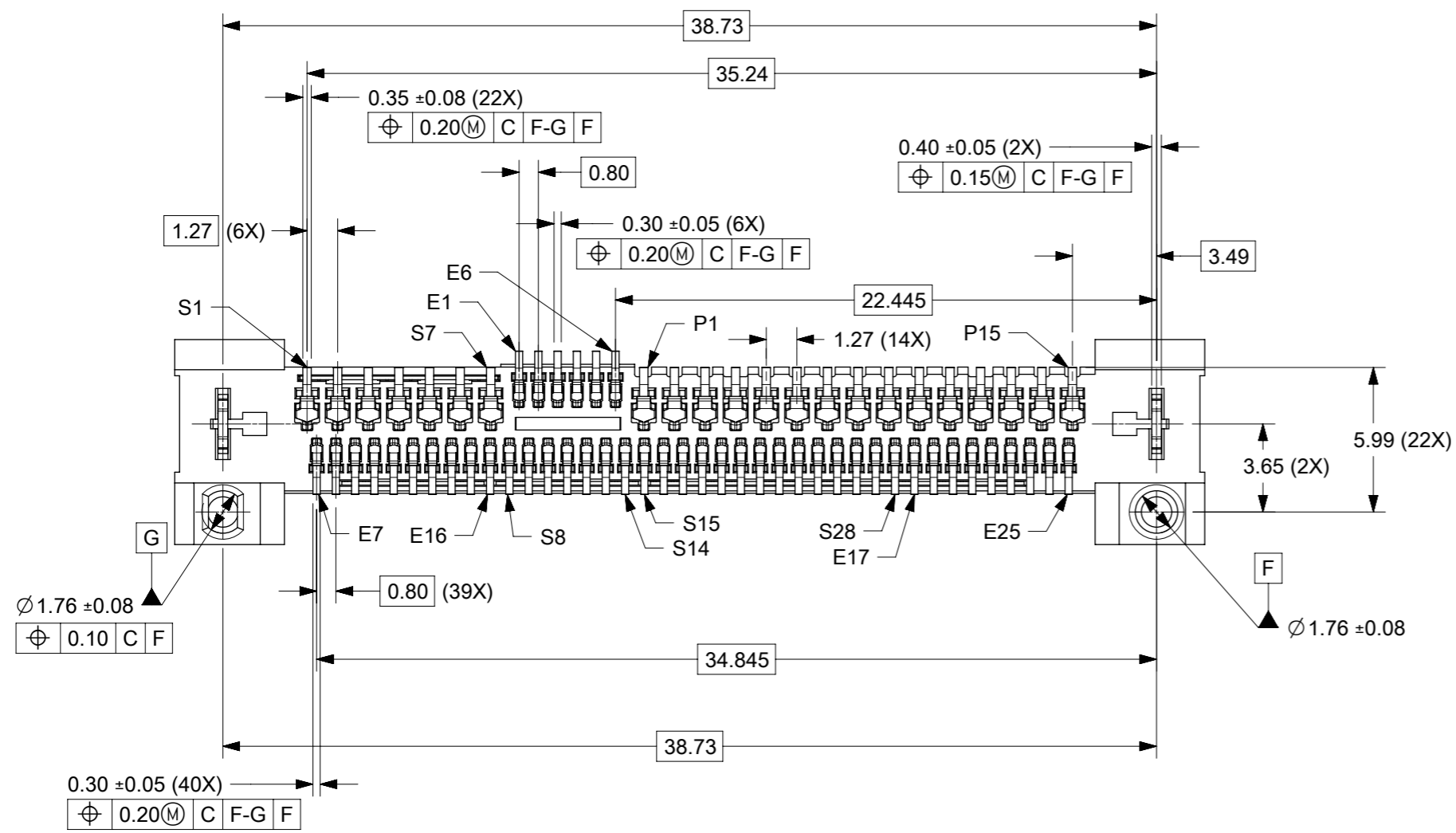


PART NUMBER
 YYDDDX
 YEAR DAY
 ASSEMBLY LINE CODE
 1#=LINE 1
 2#=LINE 2
 3#=LINE 3

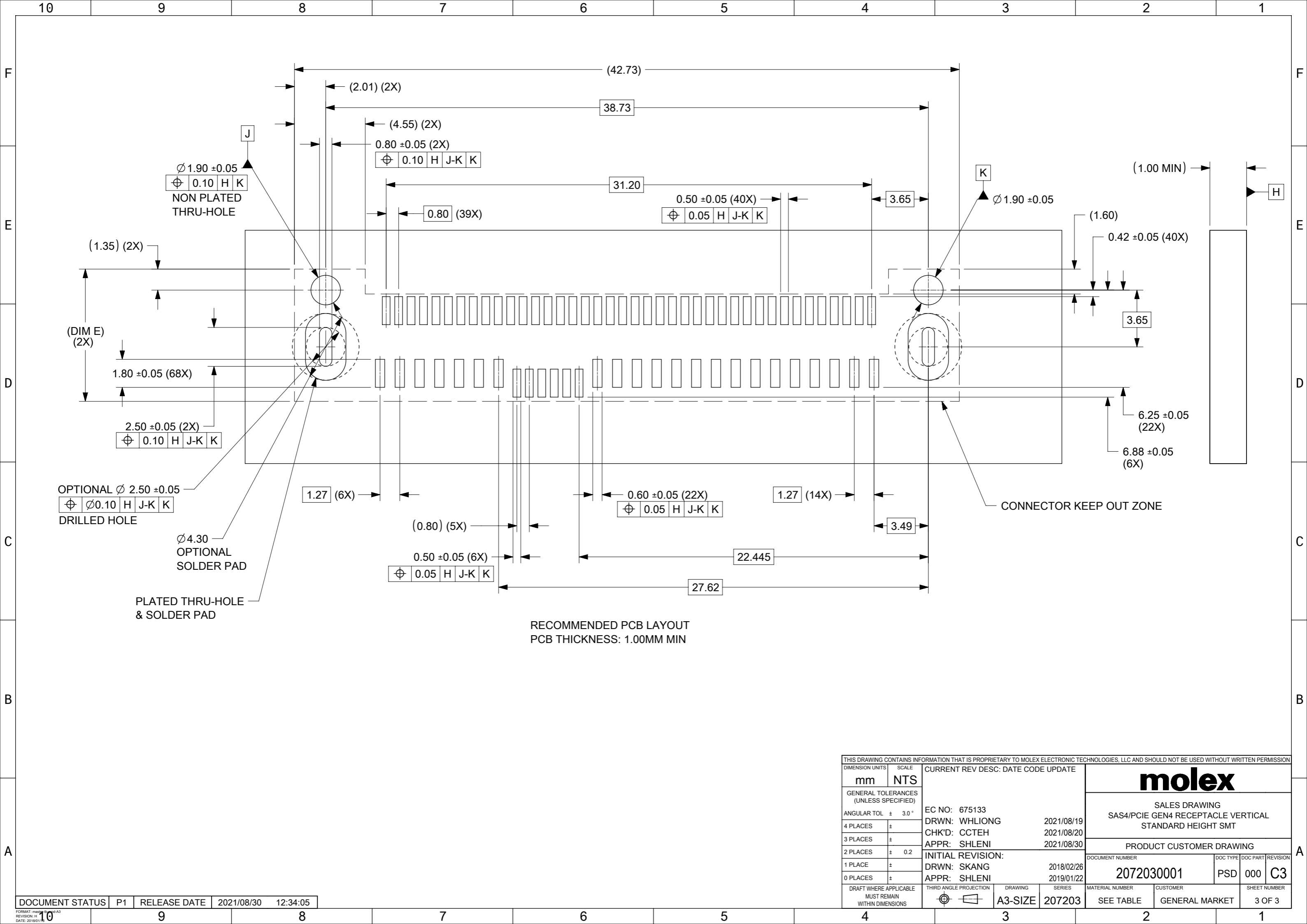
PART NO	DIM C PEG HEIGHT (2X)	DIM D BLADE HEIGHT (2X)	DIM E CONNECTOR WIDTH	PITCH OF EMBOSS TAPE
2072030001	2.55	3.20	8.50	24
2072031001	2.05	2.00	8.50	24
2072031003	2.05	2.00	7.75	24
2072031004	1.45	1.40	7.75	24
2072032003	2.05	2.00	7.75	16

THIS DRAWING CONTAINS INFORMATION THAT IS PROPRIETARY TO MOLEX ELECTRONIC TECHNOLOGIES, LLC AND SHOULD NOT BE USED WITHOUT WRITTEN PERMISSION

DIMENSION UNITS	SCALE	CURRENT REV DESC: DATE CODE UPDATE		 SALES DRAWING SAS4/PCIE GEN4 RECEPTACLE VERTICAL STANDARD HEIGHT SMT		
mm	NTS					
GENERAL TOLERANCES (UNLESS SPECIFIED)				EC NO: 675133		
ANGULAR TOL ± 3.0°				DRWN: WHLIONG 2021/08/19		
4 PLACES ±				CHK'D: CCTEH 2021/08/20		
3 PLACES ±				APPR: SHLENI 2021/08/30		
2 PLACES ± 0.2				INITIAL REVISION:		
1 PLACE ±				DRWN: SKANG 2018/02/26		
0 PLACES ±				APPR: SHLENI 2019/01/22		
DRAFT WHERE APPLICABLE MUST REMAIN WITHIN DIMENSIONS		THIRD ANGLE PROJECTION	DRAWING	SERIES	MATERIAL NUMBER	CUSTOMER
			A3-SIZE	207203	SEE TABLE	GENERAL MARKET
DOCUMENT NUMBER				DOC TYPE	DOC PART	REVISION
2072030001				PSD	000	C3
SHEET NUMBER		1 OF 3				



THIS DRAWING CONTAINS INFORMATION THAT IS PROPRIETARY TO MOLEX ELECTRONIC TECHNOLOGIES, LLC AND SHOULD NOT BE USED WITHOUT WRITTEN PERMISSION									
DIMENSION UNITS		SCALE		CURRENT REV DESC: DATE CODE UPDATE					
mm		NTS		<div style="text-align: center; font-size: 24pt; font-weight: bold;">molex</div> <p>SALES DRAWING SAS4/PCIE GEN4 RECEPTACLE VERTICAL STANDARD HEIGHT SMT</p> <p>PRODUCT CUSTOMER DRAWING</p>					
GENERAL TOLERANCES (UNLESS SPECIFIED)									
ANGULAR TOL ± 3.0°									
4 PLACES ±									
3 PLACES ±									
2 PLACES ± 0.2									
1 PLACE ±				EC NO: 675133		2021/08/19		DRWN: WHLIONG	
0 PLACES ±				CHK'D: CCTEH		2021/08/20		APPR: SHLENI	
DRAFT WHERE APPLICABLE MUST REMAIN WITHIN DIMENSIONS				THIRD ANGLE PROJECTION		DRAWING		SERIES	
DOCUMENT STATUS		P1		RELEASE DATE		2021/08/30		12:34:05	
A3-SIZE		207203		MATERIAL NUMBER		SEE TABLE		CUSTOMER	
PSD		000		C3		GENERAL MARKET		SHEET NUMBER	
2 OF 3									



RECOMMENDED PCB LAYOUT
PCB THICKNESS: 1.00MM MIN

THIS DRAWING CONTAINS INFORMATION THAT IS PROPRIETARY TO MOLEX ELECTRONIC TECHNOLOGIES, LLC AND SHOULD NOT BE USED WITHOUT WRITTEN PERMISSION		CURRENT REV DESC: DATE CODE UPDATE			
DIMENSION UNITS	SCALE				
mm	NTS			SALES DRAWING	
GENERAL TOLERANCES (UNLESS SPECIFIED)				SAS4/PCIE GEN4 RECEPTACLE VERTICAL	
ANGULAR TOL	± 3.0°	EC NO: 675133	2021/08/19	STANDARD HEIGHT SMT	
4 PLACES	±	DRWN: WHLIONG	2021/08/20	PRODUCT CUSTOMER DRAWING	
3 PLACES	±	CHK'D: CCTEH	2021/08/30	DOCUMENT NUMBER	
2 PLACES	± 0.2	APPR: SHLENI	2021/08/30	2072030001	DOC TYPE
1 PLACE	±	INITIAL REVISION:		PSD	DOC PART
0 PLACES	±	DRWN: SKANG	2018/02/26	000	REVISION
DRAFT WHERE APPLICABLE MUST REMAIN WITHIN DIMENSIONS		APPR: SHLENI	2019/01/22	C3	
THIRD ANGLE PROJECTION		DRAWING	SERIES	MATERIAL NUMBER	CUSTOMER
		A3-SIZE	207203	SEE TABLE	GENERAL MARKET
					SHEET NUMBER
					3 OF 3

DOCUMENT STATUS	P1	RELEASE DATE	2021/08/30	12:34:05
-----------------	----	--------------	------------	----------