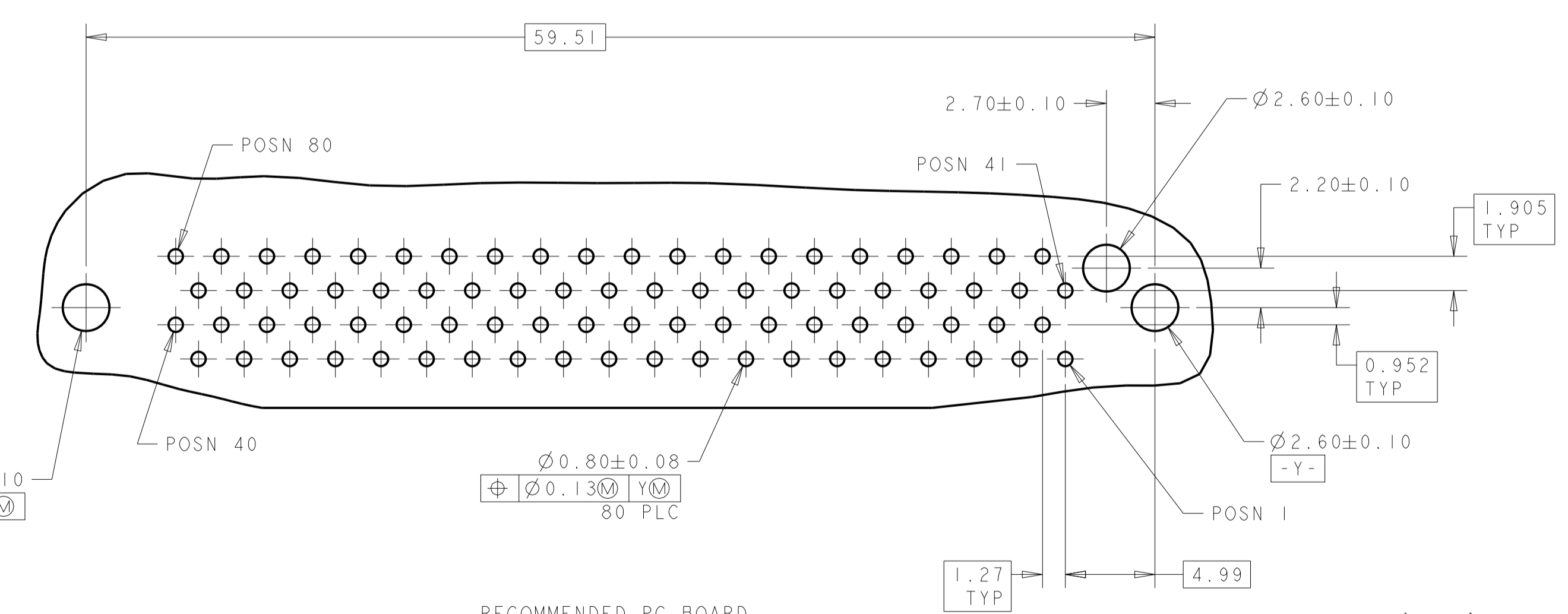
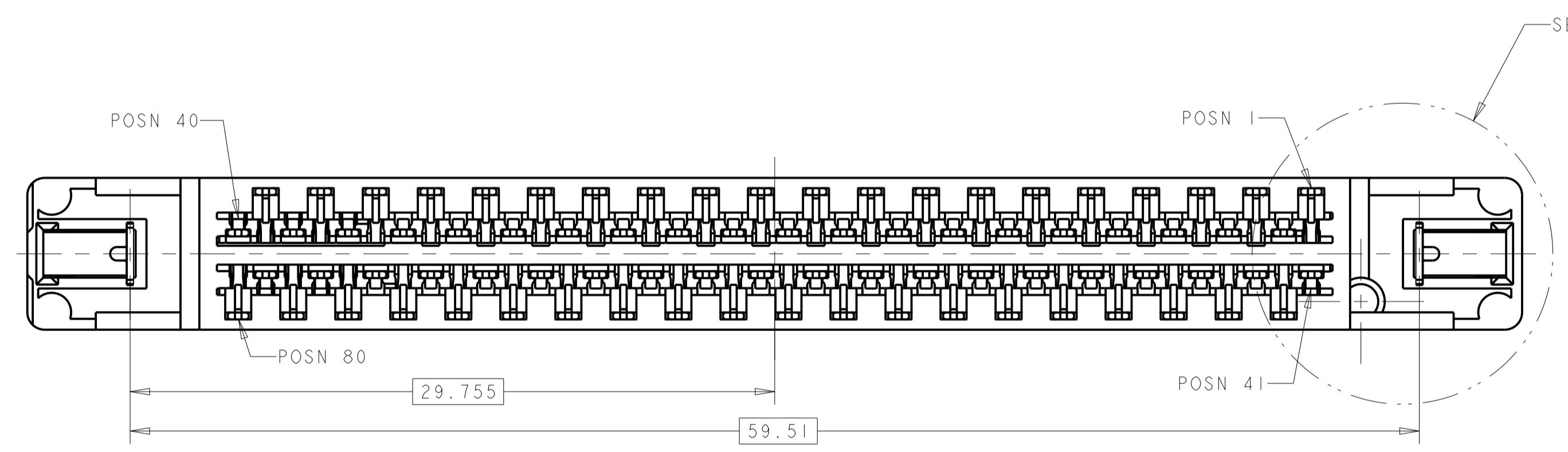
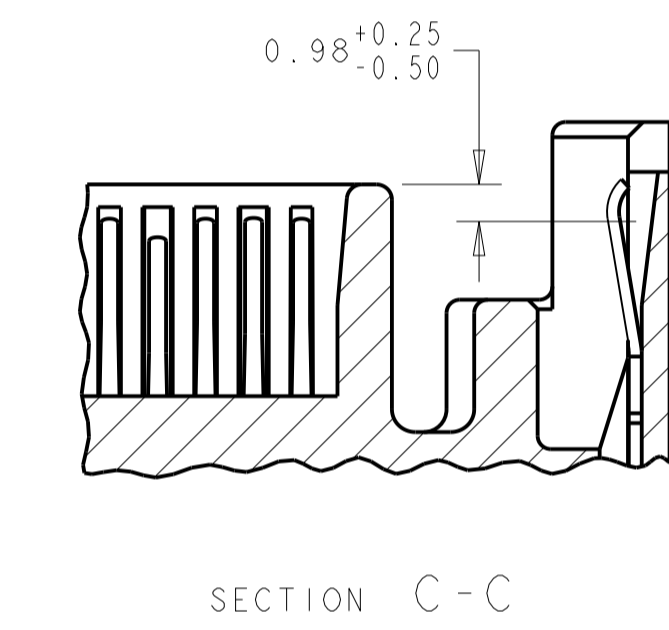
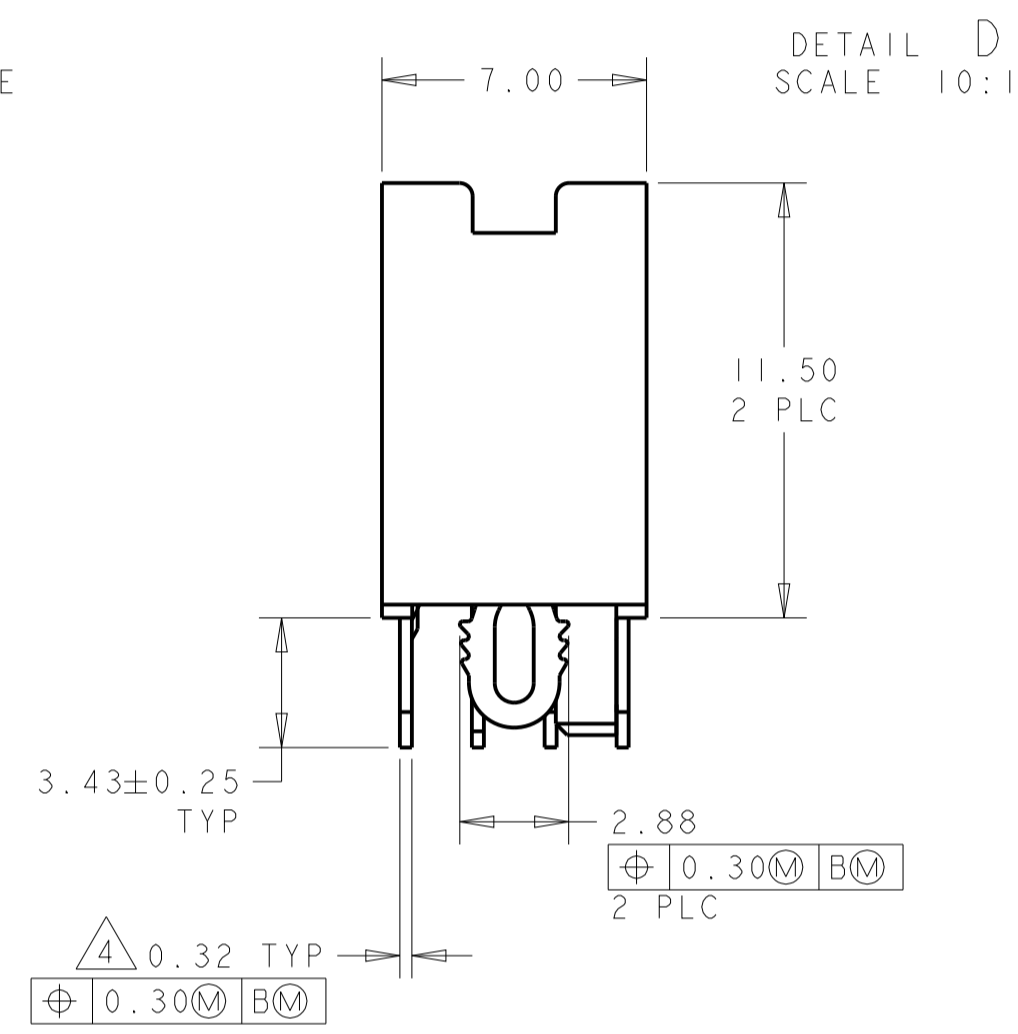
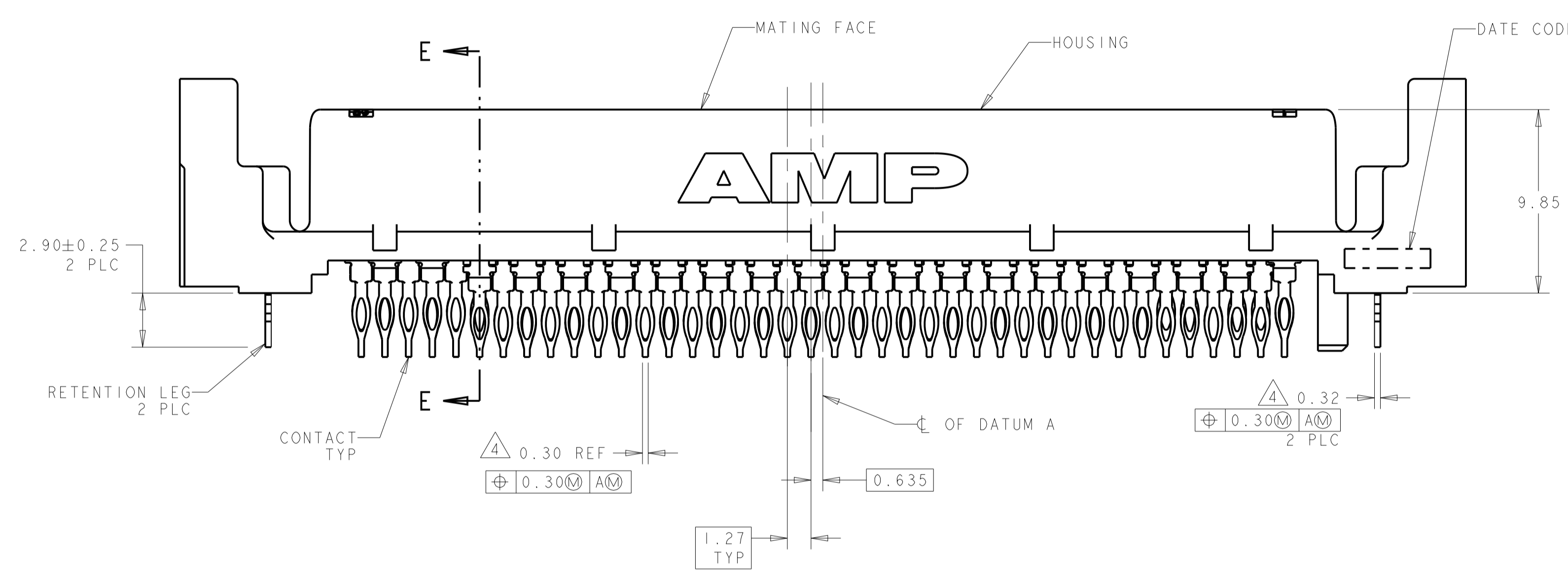
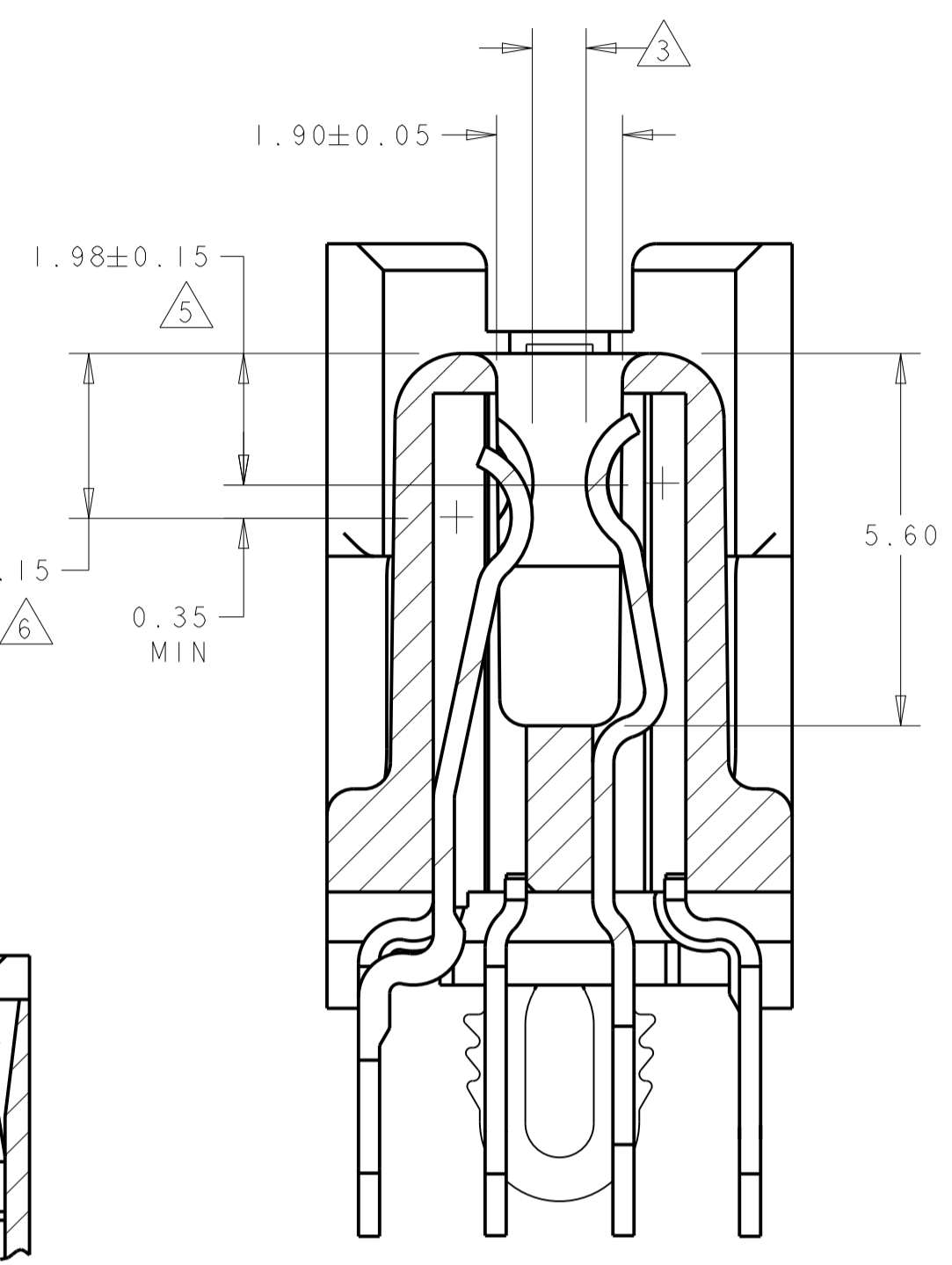
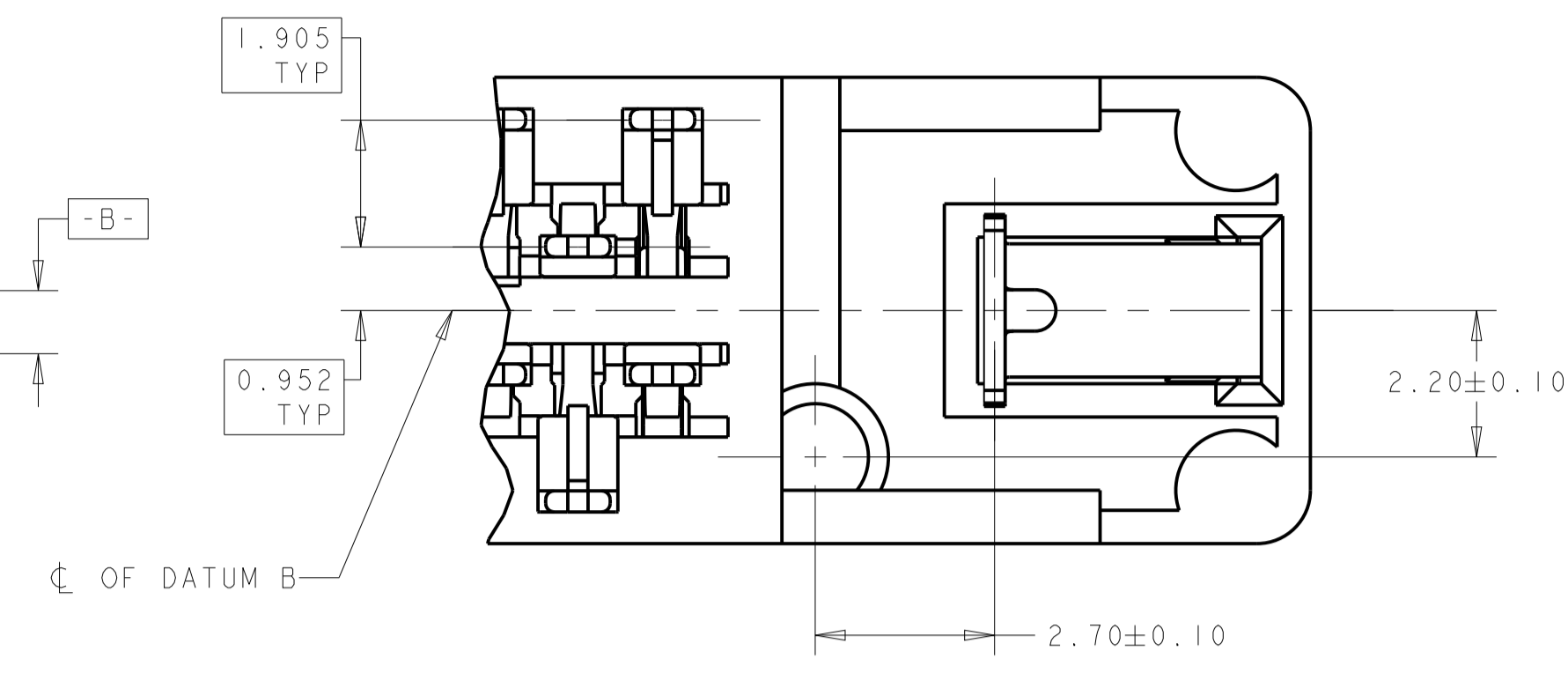
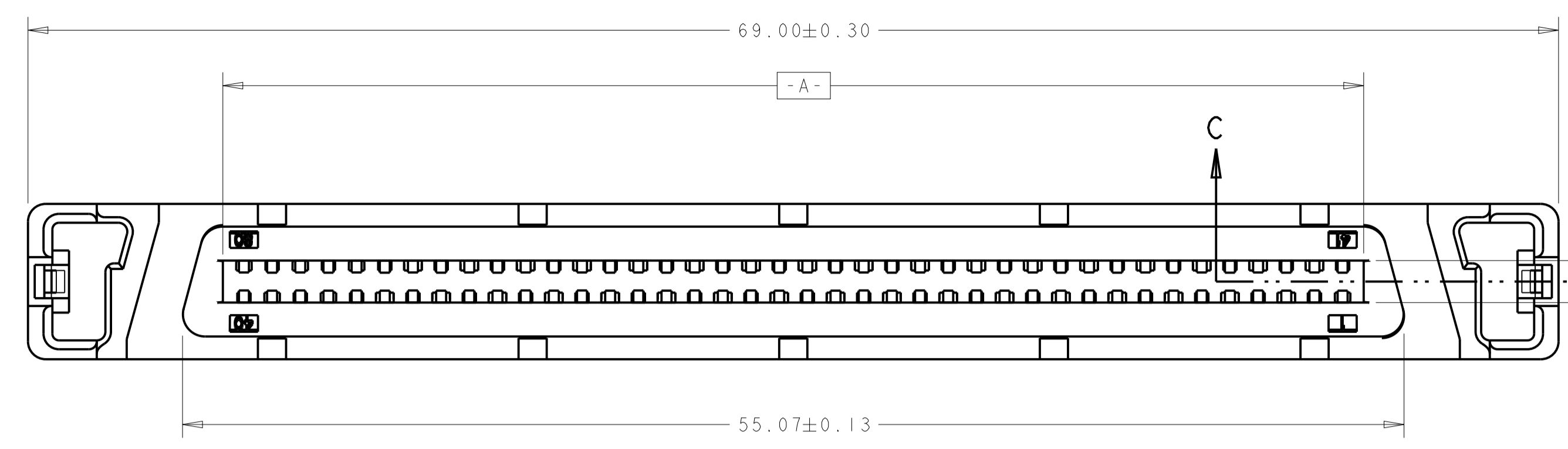


LOC	DIST	REVISIONS			
GP	00	REV	DATE	BY	CHK
		K	09APR13	BL	AC
		K1	03MAR2021	SH	SZ



- 1 HOUSING: LCP, UL 94V-0 RATED, BLACK.
CONTACTS: PHOSPHOR BRONZE.
RETENTION LEG: BRASS.
- 2 CONTACTS: 0.76µm GOLD FOR A LENGTH OF 1.20 MIN STARTING 0.50 MAX FROM MATING END, 1.27µm-3.81µm TIN-LEAD FOR A LENGTH OF 3.43 MIN FROM OPPOSITE END, BOTH OVER 1.27µm MIN NICKEL.
- 3 CONNECTOR WILL ACCOMMODATE MATING PRINTED CIRCUIT BOARD OF 1.60±0.07 THICKNESS.
- 4 POSITION TOLERANCE APPLIES AT CONTACT TIP ONLY.
- 5 DIMENSION APPLIES TO CONTACTS 1, 36 THRU 40, 41 THRU 43, 45, 46 AND 75 THRU 80.
- 6 DIMENSION APPLIES TO CONTACTS 2 THRU 35, 44, AND 47 THRU 74.
- 7 RETENTION LEG: 3.81µm MIN TIN-LEAD OVER 1.27µm MIN NICKEL.
- 8 RECOMMENDED PC BOARD THICKNESS IS 2.36 TO 3.81.
- 9 CONTACTS: 0.76µm GOLD FOR A LENGTH OF 1.20 MIN STARTING 0.50 MAX FROM MATING END, 1.27µm-3.81µm MATTE TIN FOR A LENGTH OF 3.43 MIN FROM OPPOSITE END, BOTH OVER 1.27µm MIN NICKEL.
- 10 RETENTION LEGS: 3.81µm MIN HALT TIN.
- 11 CONTACTS: 0.38µm GOLD FOR A LENGTH OF 1.20 MIN STARTING 0.50 MAX FROM MATING END, 1.27µm-3.81µm MATTE TIN FOR A LENGTH OF 3.43 MIN FROM OPPOSITE END, BOTH OVER 1.27µm MIN NICKEL.
- 12 CONTACTS: 0.38µm GOLD FOR A LENGTH OF 1.20 MIN STARTING 0.50 MAX FROM MATING END, 1.27µm-3.81µm TIN-LEAD FOR A LENGTH OF 3.43 MIN FROM OPPOSITE END, BOTH OVER 1.27µm MIN NICKEL.
- 13 OBSOLETE STREAMLINING PER D.RENAUD/D.SINISI

RECOMMENDED PC BOARD MOUNTING DIMENSIONS COMPONENT SIDE SCALE 4:1

FINISH	PART NUMBER
1	787900-4
2	787900-3
3	787900-2
4	787900-1

THIS DRAWING IS A CONTROLLED DOCUMENT.

DIMENSIONS:	TOLERANCES UNLESS OTHERWISE SPECIFIED:	OWN: R. FOLTZ 13-Sep-96	CHK: J. SWANK 17-Sep-96	APVD: J. SWANK 17-Sep-96
mm	0 PLC ± 1 PLC ± 2 PLC ±0.13 3 PLC ± 4 PLC ±	PRODUCT SPEC	NAME	RECEPTACLE ASSEMBLY, VERTICAL, 80 POSITION, PRESS FIT, CHAMP BLINDMATE .050 SERIES 1
MATERIAL	FINISH SEE TABLE	WEIGHT	SIZE	CAGE CODE DRAWING NO. RESTRICTED TO
		CUSTOMER DRAWING	A100779C=787900	SCALE 2:1 SHEET 1 OF 1 REV K1

TE Connectivity