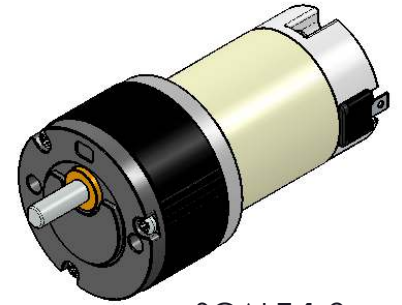
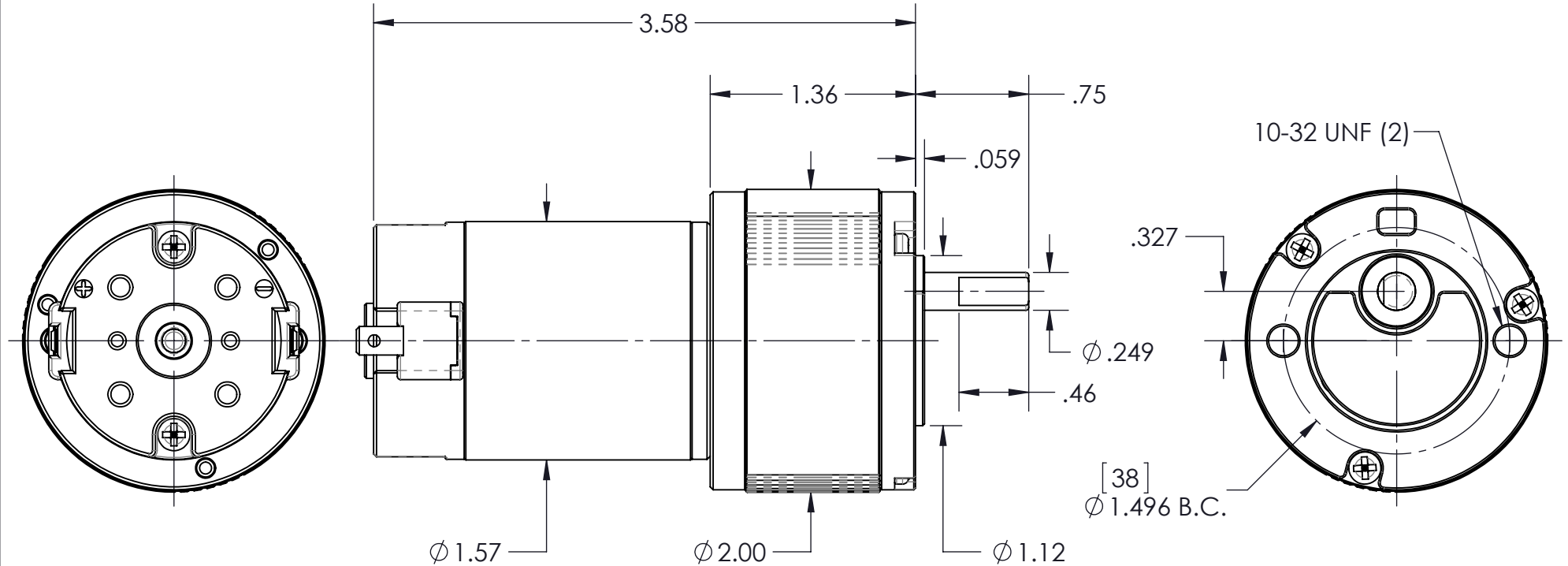


NOTES: UNLESS OTHERWISE SPECIFIED

- Ⓐ 1. 24VDC, 100 RPM @ 130 OZ-IN
- 2. ALL DIMENSIONS ARE FOR REFERENCE.
- 3. DIMENSIONS IN [] ARE MILLIMETERS.



SCALE 1:2



TOLERANCES

X.XX : ±010

X.XXX : ±005

FRACTION: ±1/64

ANGLE: ±2°

UNLESS OTHERWISE SPECIFIED



MULTI PRODUCTS
Company, Inc.

PART NAME/DESCRIPTION: **GBN50 SPUR GEARMOTOR**

DRAWN BY: PJ DATE: 2/1/2010 SCALE: 1:1 MATERIAL: VAR.

CHK'D BY: RP DATE: 2/5/2010 PART NUMBER: **DCM-1015-1**

APPR'D BY: - DATE:

REV.	DESCRIPTION	DATE	ECO#
B	REDRAWN IN SOLIDWORKS	6/21/2012	
A			