

NOTES:

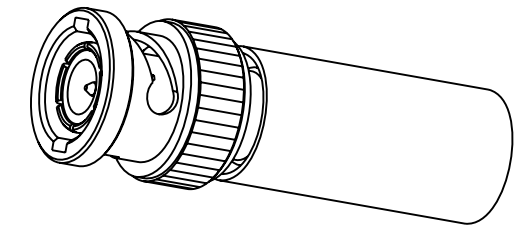
1. MATERIALS AND FINISHES:  
 BODY - BRASS, NICKEL PLATING  
 CONTACT - BeCu, GOLD PLATING  
 BULLET CONTACT - BRASS, GOLD PLATING  
 INSULATOR - PTFE, NATURAL  
 SHELL - ZINC ALLOY, NICKEL PLATING  
 GASKET - SILICONE RUBBER, RED  
 FERRULE - BRASS, NICKEL PLATING  
 HEAT SHRINK TUBING - POLYOLEFIN, BLACK
2. ELECTRICAL:  
 A. IMPEDANCE: 50 OHM  
 B. FREQUENCY RANGE: DC - 6 GHz  
 C. VSWR(RETURN LOSS): 1.25 MAX. @ DC-3 GHz  
 1.35 MAX. @ 3-6 GHz  
 D. DIELECTRIC WITHSTANDING VOLTAGE: 1000 VRMS, MIN.
3. MECHANICAL:  
 A. DURABILITY: 500 CYCLES MIN.  
 B. TEMPERATURE RANGE: -40° C TO +85° C
4. PACKAGING:  
 A. QUANTITY: SINGLE PACK  
 B. MARKING: BAG TO BE MARKED  
 "AMPHENOL RF, 31-6925, DATE CODE"

5. CABLE ASSEMBLY INSTRUCTIONS:  
 A. TRIM CABLE AS SHOWN.  
 B. SLIDE HEAT SHRINK TUBING AND FERRULE ONTO CABLE.  
 C. SOLDER CABLE CENTER CONDUCTOR TO BULLET CONTACT.  
 D. INSERT CABLE WITH FOIL ENTERING CONNECTOR AND BRAID OVER KNURL.  
 E. CRIMP FERRULE OVER BRAID WITH .178" HEX DIE.  
 F. APPLY HEAT SHRINK TUBING OVER FERRULE.  
 G. HEAT SHRINK TUBING SHOULD FULLY (360 DEG) COVER THE BUMP ON BODY AND END WITHIN AREA "A"

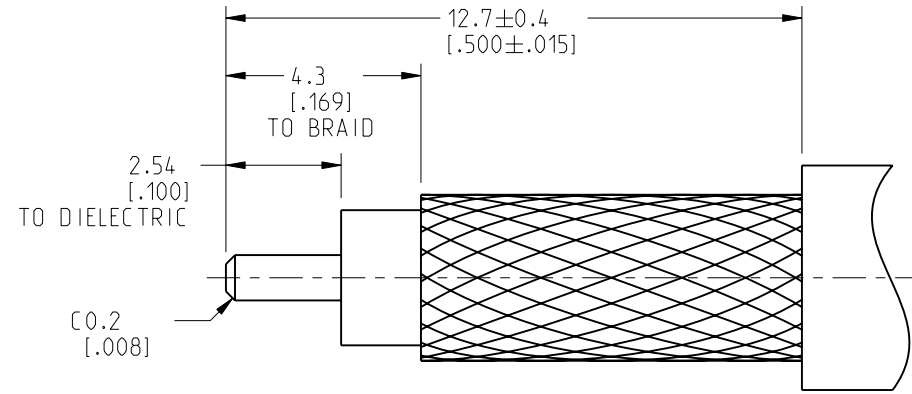
6. CONNECTOR RATED TO IP-67.

7. SHOWS CABLE ENTRY DIMENSIONS.

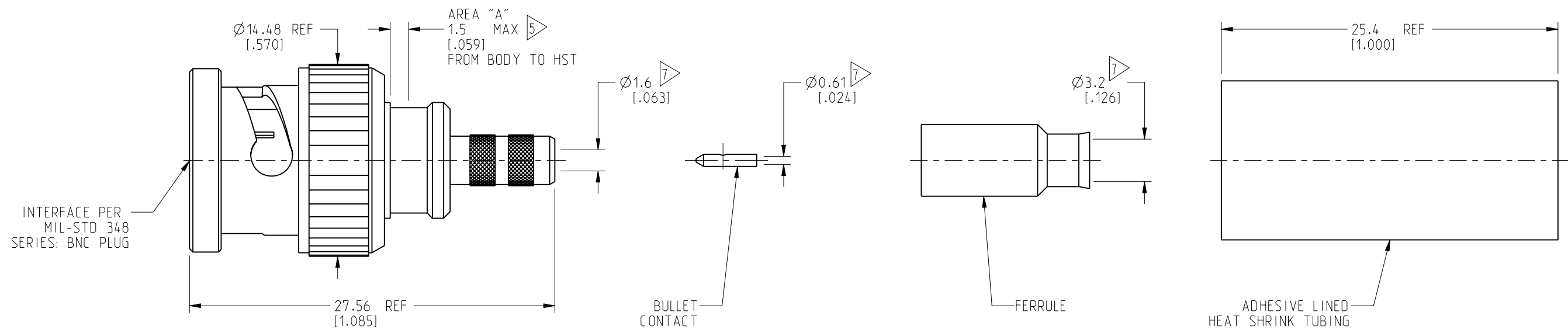
REVISIONS				
REV	DESCRIPTION	DATE	ECN	APPR
A	RELEASE TO MFG.	16-Dec-20	15433	SH



SCALE 1.500



**RECOMMENDED  
CABLE STRIPPING DIM'S**



**CUSTOMER OUTLINE DRAWING**

ALL OTHER SHEETS ARE FOR INTERNAL USE ONLY

NOTICE: These drawings, specifications, or other data (1) are, and remain the property of Amphenol corp. (2) must be returned upon request; and (3) are confidential and not to be disclosed to any person other than those to whom they are given by Amphenol Corp. The furnishing of these drawings, specifications, or other data by Amphenol Corp., or to any other person to anyone for any purpose is not to be regarded by implication or otherwise in any manner licensing, granting rights to permitting such holder or any other person to manufacture, use or sell any product, process or design, patented or otherwise, that may in any way be related to or disclosed by said drawings, specifications, or other data.		UNLESS OTHERWISE SPECIFIED DIMENSIONS ARE METRIC (INCHES) AND TOLERANCES ARE: <0.5mm = ±0.05mm [ $\pm 0.020 = \pm 0.002$ ] >0.5 - 6mm = ±0.1mm [ $\pm 0.020 - 0.236 = \pm 0.004$ ] >6.00 - 30mm = ±0.2mm [ $\pm 0.236 - 1.181 = \pm 0.008$ ] >30.00 - 120mm = ±0.3mm [ $\pm 1.181 - 4.725 = \pm 0.012$ ] ANGLES = ±1°		MATERIAL SEE NOTES		TITLE BNC STR PLUG IP67 FOR RG-316 CABLE		Amphenol RF	
THIRD ANGLE PROJ.		REFERENCE 31-6613		EAR# 10077		ENGINEER WIKI		DATE 14-Dec-20	
				SHEET NO. 2 OF 2		SCALE: 3.0:1.0		DRAWING NO. 31-6925 ITEM NO. 31-6925 PART NO. 31-6925	