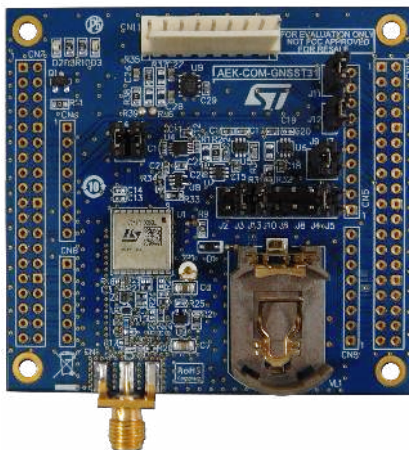


GNSS evaluation board based on Teseo-LIV3F for SPC5 microcontrollers



Features

- Sensitivity: -162 dBm indoor (tracking mode)
- Interfaces:
 - UART and I²C ports
 - Configurable digital I/O timepulse
 - EXTINT input for wakeup
- NMEA protocol
- Assisted GNSS:
 - Predictive autonomous
 - Predictive server-based
 - Real-time server-based
- Compatible with SPC5
- LNA and SAW filter on the RF path
- SMA female antenna connector
- Battery holder
- Highly compact design: 70 x 65 mm
- Operating supply voltage: 3.3 - 5 V
- Ambient temperature: -40/+85 °C
- Part of the AutoDevKit™ initiative
- RoHS and WEEE compliant

Description

The **AEK-COM-GNSST31** evaluation board is based on the certified **Teseo-LIV3F** global navigation satellite system (GNSS) module with embedded TeseoIII single die standalone positioning receiver IC.

The tiny, affordable, and easy-to use module guarantees superior accuracy and reduced time to first fix (TTFF) thanks to the on-board 26 MHz temperature compensated crystal oscillator (TCXO) and dedicated 32 KHz real-time clock (RTC) oscillator.

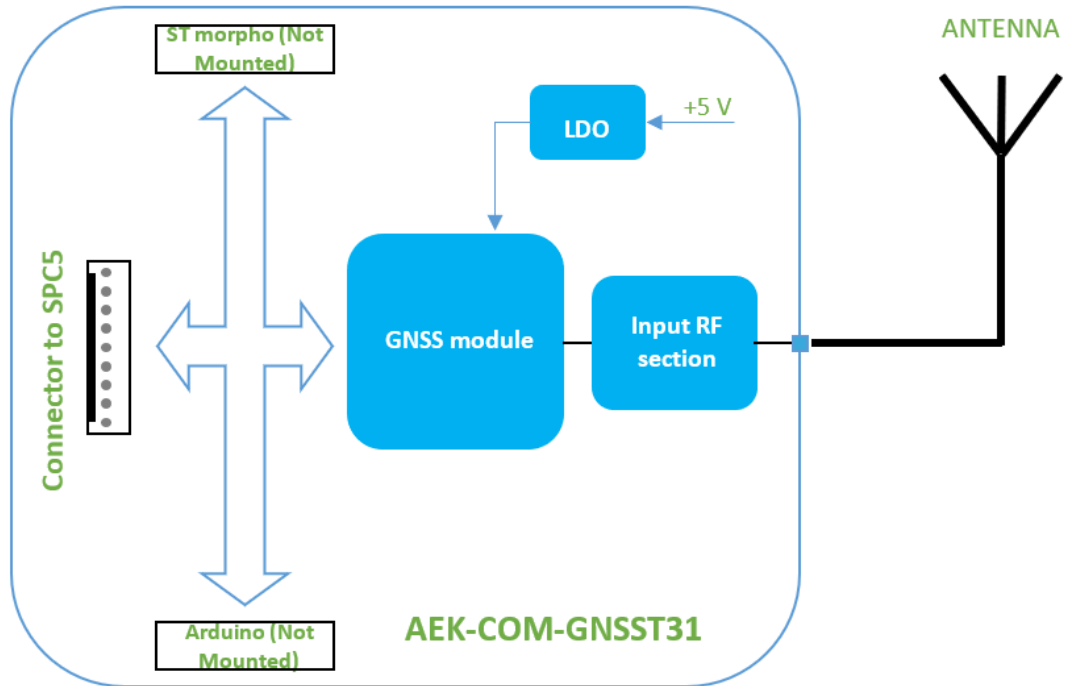
The evaluation package is used in conjunction with the **X-CUBE-GNSS1** firmware to provide the necessary acquisition, tracking, navigation and data output functionality without external memory support.

The **AEK-COM-GNSST31** evaluation board can be readily connected with an SPC5 MCU for automotive application development as part of the AutoDevKit™ initiative.

Product summary	
GNSS evaluation board based on Teseo-LIV3F for SPC5 microcontrollers	AEK-COM-GNSST31
Tiny GNSS module	Teseo-LIV3F
Code generator, quick resource configurator and Eclipse development environment for SPC5 MCUs	SPC5-STUDIO
AutoDevKit library plugin for SPC5-STUDIO	STSW-AUTODEVKIT
Global navigation satellite system software expansion for STM32Cube	X-CUBE-GNSS1
Applications	Tracking Smart City GNSS/GPS Mobility Services

1 Block diagram

Figure 1. AEK-COM-GNSST31 block diagram



2 Schematic diagrams

Figure 2. AEK-COM-GNSST31 schematic diagram (1 of 3)

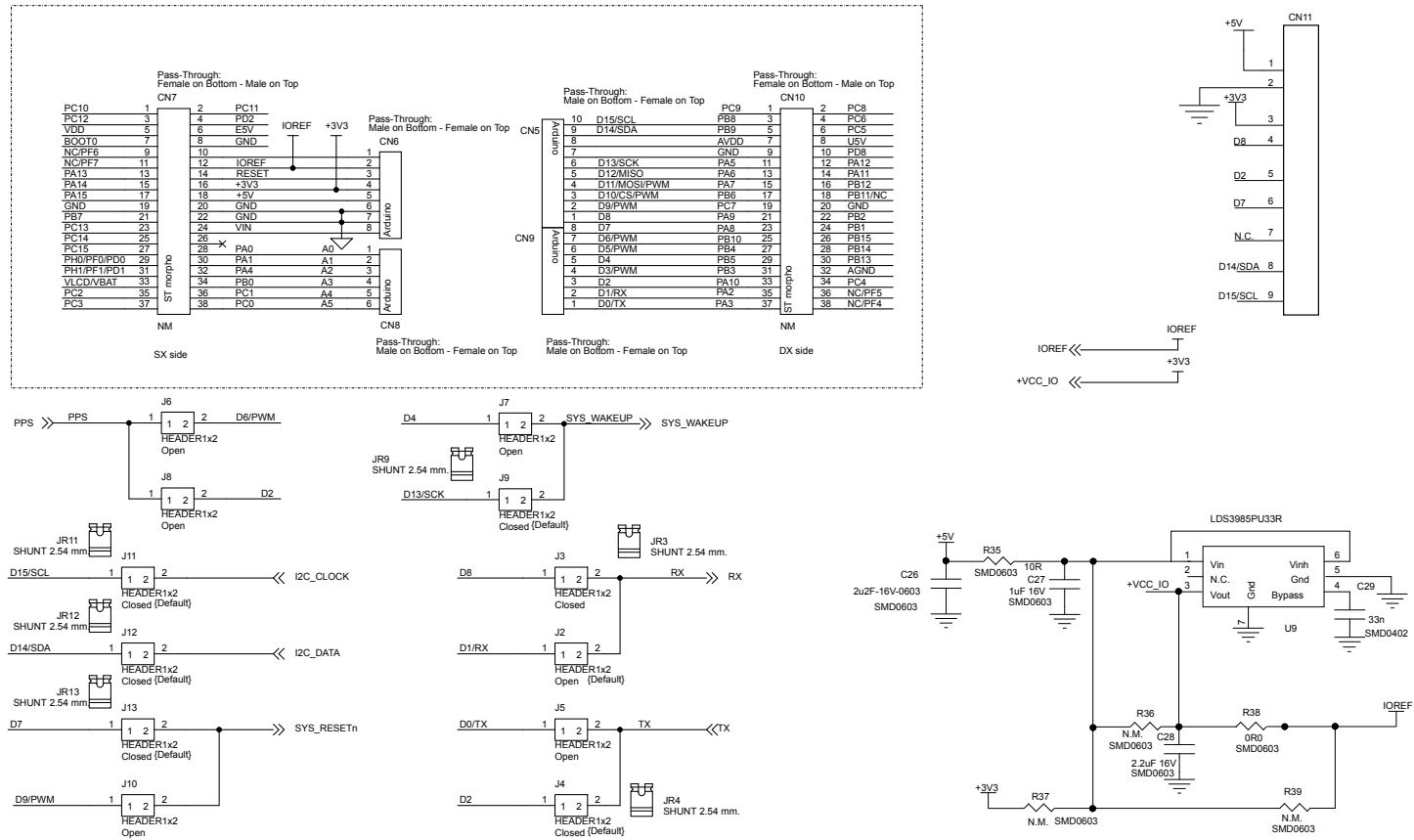


Figure 3. AEK-COM-GNSST31 schematic diagram (2 of 3)

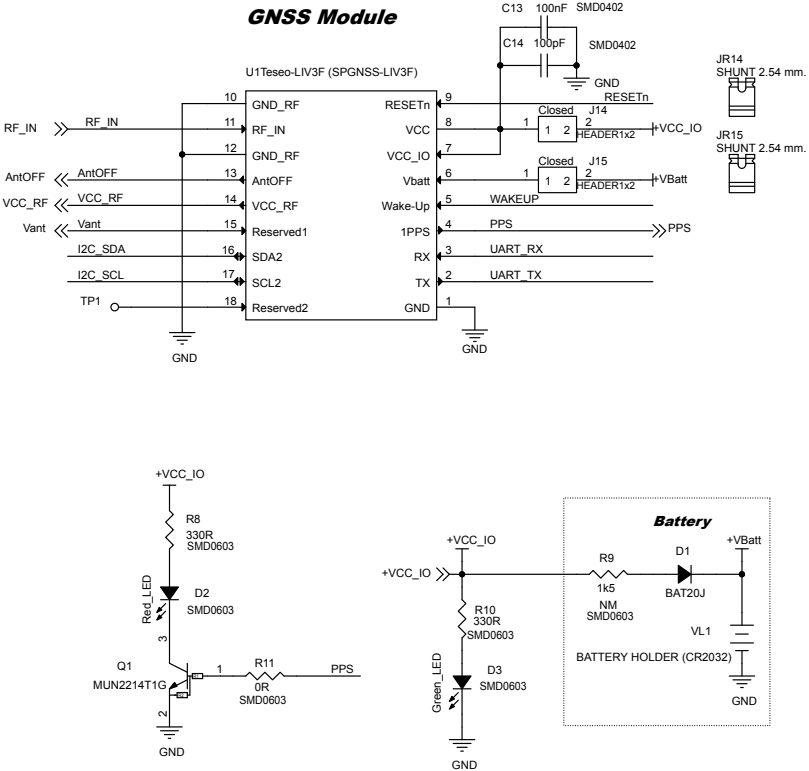
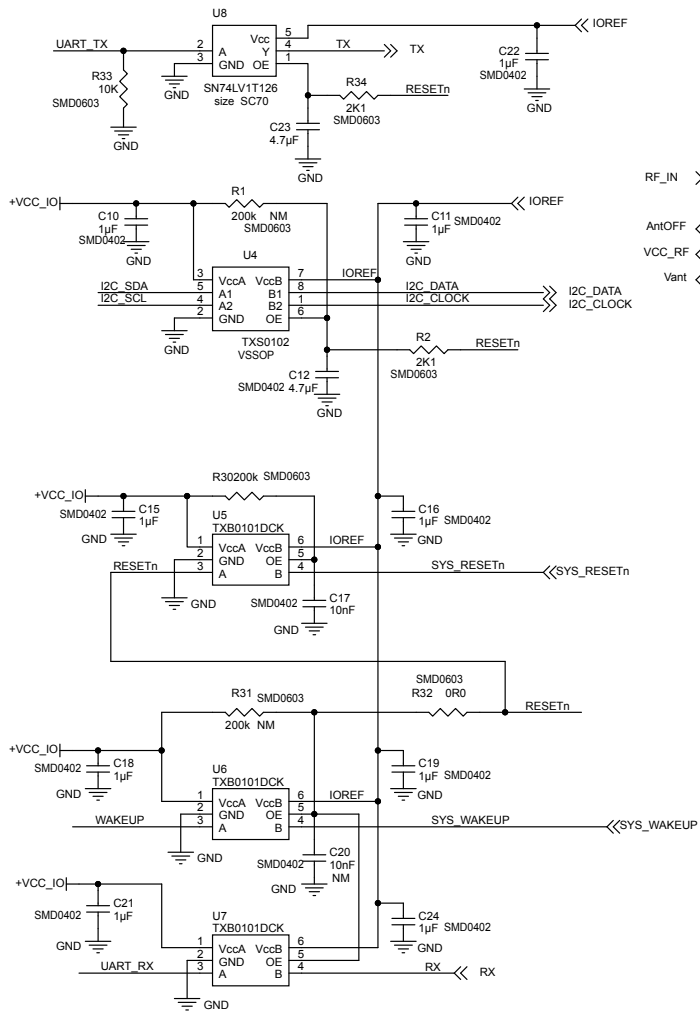
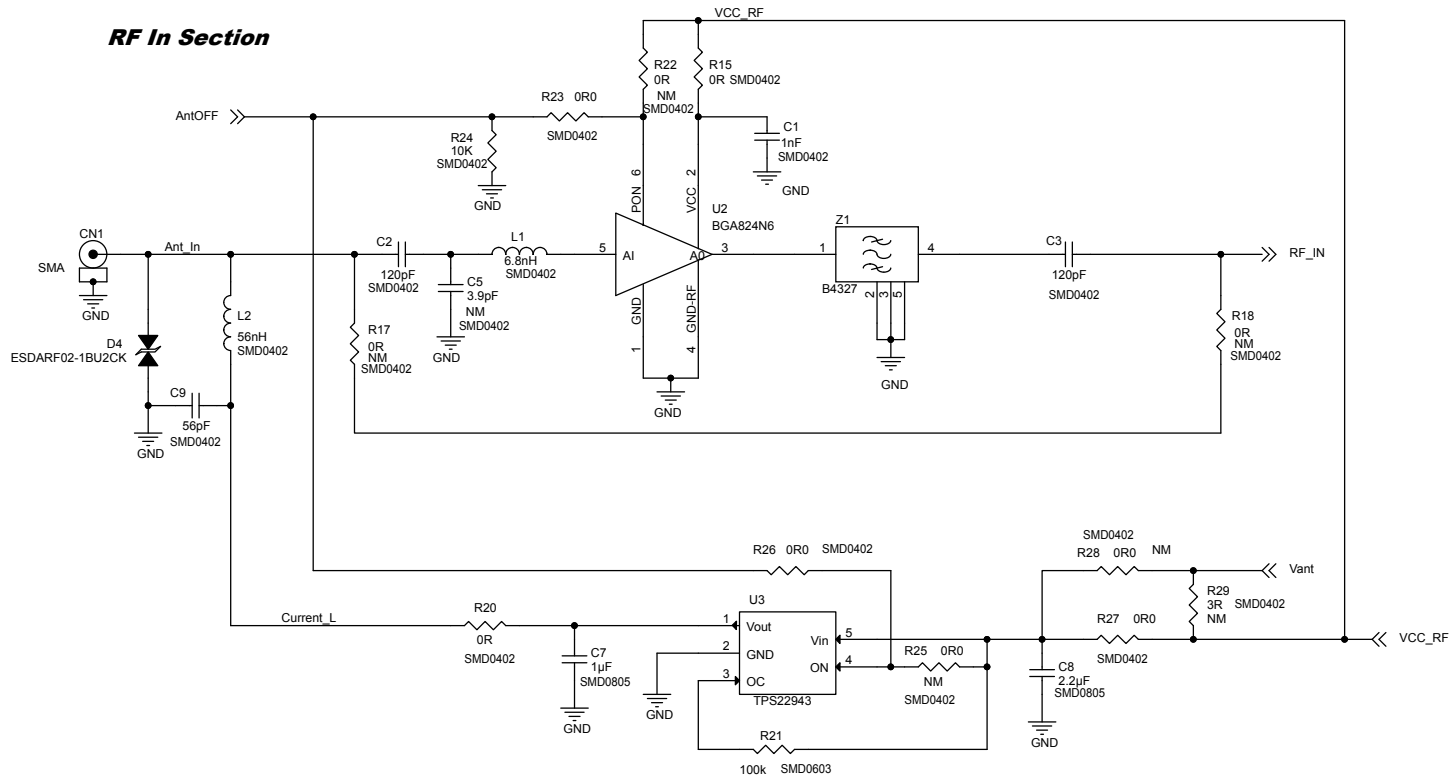


Figure 4. AEK-COM-GNSST31 schematic diagram (3 of 3)



Revision history

Table 1. Document revision history

Date	Version	Changes
03-Feb-2020	1	Initial release.

IMPORTANT NOTICE – PLEASE READ CAREFULLY

STMicroelectronics NV and its subsidiaries (“ST”) reserve the right to make changes, corrections, enhancements, modifications, and improvements to ST products and/or to this document at any time without notice. Purchasers should obtain the latest relevant information on ST products before placing orders. ST products are sold pursuant to ST’s terms and conditions of sale in place at the time of order acknowledgement.

Purchasers are solely responsible for the choice, selection, and use of ST products and ST assumes no liability for application assistance or the design of Purchasers’ products.

No license, express or implied, to any intellectual property right is granted by ST herein.

Resale of ST products with provisions different from the information set forth herein shall void any warranty granted by ST for such product.

ST and the ST logo are trademarks of ST. For additional information about ST trademarks, please refer to www.st.com/trademarks. All other product or service names are the property of their respective owners.

Information in this document supersedes and replaces information previously supplied in any prior versions of this document.

© 2020 STMicroelectronics – All rights reserved