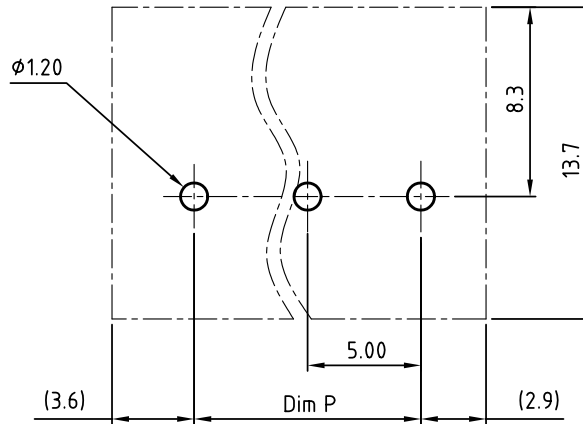
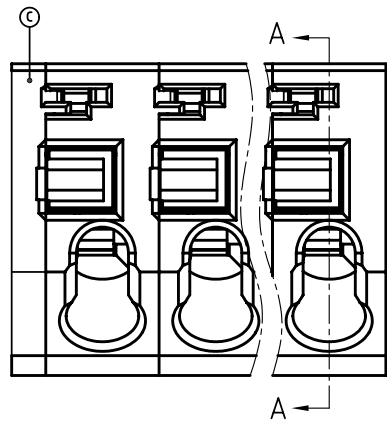


SIGN	DATE	DESCRIPTION	APPROVER
△	2009.09.19	The description in drawing is revised	Jacke
<b>THIS IS CAD DRAWING, DO NOT REVISE MANUALLY!!!</b>			

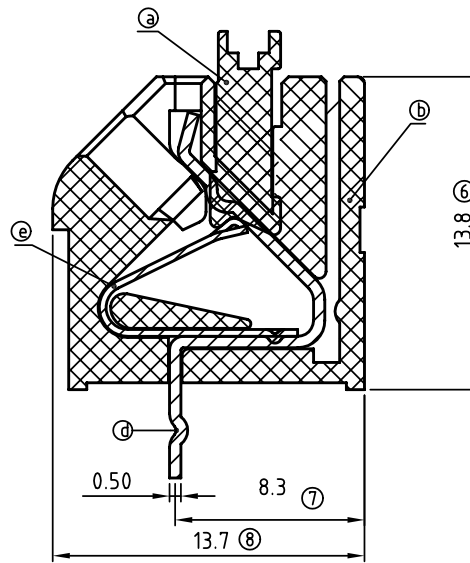
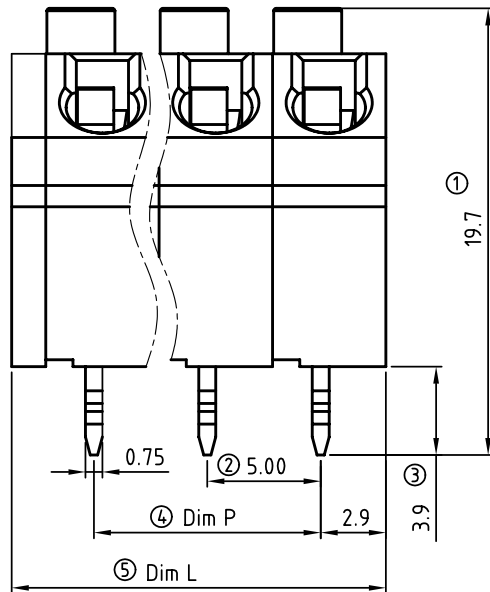


Material:

- Item a Terminal lever: Thermoplastic (UL94 V-0)
- Item b Terminal body: Thermoplastic (UL94 V-0)
- Item c Terminal cover: Thermoplastic (UL94 V-0)
- Item d Solder pin: Brass Tin plated
- Item e Spring clamp: Stainless steel

Electrical cULus

- Voltage rating: 300V
- Current rating: 10A
- Solid wire(AWG): 16-20
- Wire strip length: 7-8mm
- Withstanding Voltage: 1.6KV
- Operating temperature: -40°C to +115°C
- Soldering temperature: 250°C±10°C/5 Sec
- Safety Approval: cULus



NE xx 0 0 x 0 xxxx G

- 01 1 pole
- 02 2 poles
- 03 3 poles
- ... ..
- 24 24 poles

- 0 Black
  - 5 Green
  - 6 Blue
  - 8 Grey
- any special item by customer request, please contact sales department.

N = Number of poles  
 Dim L = N x 5.0 + 1.5  
 Dim P = (N - 1) x 5.0

	Dim L	Dim P
1-6p	±0.15	±0.15
7-12p	±0.25	±0.25
13-18p	±0.30	±0.30
19-24p	±0.40	±0.40

<b>ANYTEK</b>				<b>CUSTOMER COPY</b>			
ALL RIGHTS RESERVED. REPRODUCTION OR ISSUE TO THIRD PARTIES IN ANY FORM WHATSOEVER IS NOT PERMITTED WITHOUT WRITTEN AUTHORITY FROM THE PROPRIETOR. PROPERTY OF ANYTEK TECHNOLOGY CO., LTD							
TITLE		NE 5.0mm series					
PART NO.		NExx00x0xxxxG			DWG NO.		8NE0001
APPROVED		CHECKED	DESIGNED	DRAWN	CUST NO.		Tolerance
			Jacke	Jacke			X. ±0.50
			2009.09.19	2009.09.19			X.X ±0.30
							X.XX ±0.10
							X° ±1°
						UNIT: mm SCALE: 4/1 SHEET: 01/01 REV: C	