

XDSL SPLITTER FILTER MODULE



- Low cost ISDN Central Office Splitter for ADSL applications
- Designed to meet ETSI specification TS101-952-1-3*
- LPF matched to 135Ω line impedance for ISDN 2B1Q applications
- Module is part of a standard series which has footprint compatibility
- ADSL2+ compatible
- NL version: RoHS-6 compliant

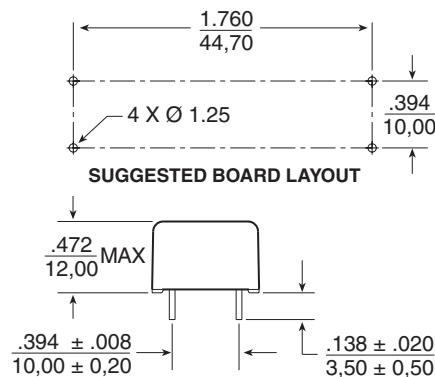
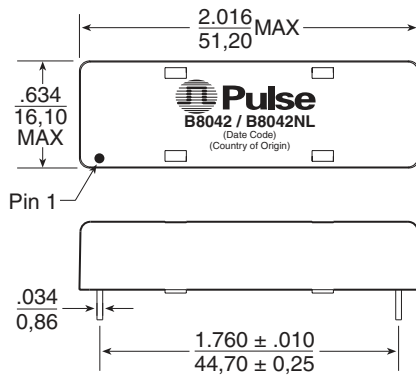
Electrical Specifications @ 25°C — Operating Temperature -20°C to +85°C

PARAMETER	FREQUENCY	
ISDN Impedance	1.0kHz to 80kHz	135Ω NOM
ISDN Insertion Loss	1.0kHz to 40kHz	-0.8dB MAX
	40kHz to 80kHz	-2.0dB MAX
ISDN Return Loss*	1.0kHz to 40kHz	-16dB MIN
	40kHz to 80kHz	-12dB MIN
ISDN Group Delay	1.0kHz to 80kHz	20μs MAX
Longitudinal Balance	300Hz to 30kHz	-30dB MIN
ADSL Insertion Loss	150kHz to 2.2MHz	-65dB MIN
DC Current		60mA MAX
Total DC Resistance		12.5Ω MAX
<i>For Information - behavior at VDSL frequencies:</i>	2.2MHz to 12MHz	-45dB MIN
ADSL Insertion Loss	12MHz to 30MHz	-30dB MIN

*NOTE: Exception - Typical Return Loss meets published ETSI specification TS101-952-1-3.

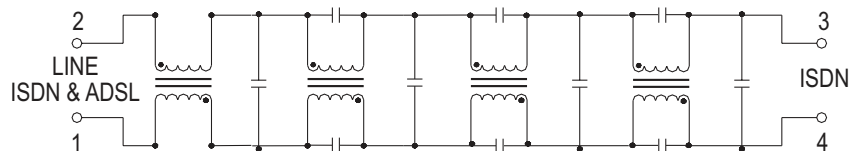
Mechanical

B8042 / B8042NL



Weight11 grams
 Tray35/tray
 Dimensions: Inches
 mm
 Unless otherwise specified,
 all tolerances are ± .010
 0,25

Schematic



For More Information:

Pulse Worldwide Headquarters

12220 World Trade Dr.
 San Diego, CA 92128
 U.S.A.

www.pulseeng.com

Tel: 858 674 8100
 Fax: 858 674 8262

Pulse Europe

Einsteinstrasse 1
 D-71083 Herrenberg
 Germany

Tel: 49 7032 7806 116
 Fax: 49 7032 7806 135

Pulse China Headquarters

B402, Shenzhen
 Tech-Innovation International
 Tenth Kejinan Rd.
 High-Tech Industrial Park
 Nanshan District, Shenzhen
 China

Tel: 86 755 33966678
 Fax: 86 755 33966700

Pulse North China

Room 1503
 XinYin Building
 No. 888 YiShan Rd.
 Shanghai 200233
 China

Tel: 86 21 54643211/2
 Fax: 86 21 54643210

Pulse South Asia

150 Kampong Ampat
 #07-01/02
 KA Centre
 Singapore 368324

Tel: 65 6287 8998
 Fax: 65 6280 0080

Pulse North Asia

No. 26
 Kao Ching Rd.
 Yang Mei Chen
 Taoyuan Hsien
 Taiwan, R. O. C.

Tel: 886 3 4641811
 Fax: 886 3 4641911

Performance warranty of products offered on this data sheet is limited to the parameters specified. Data is subject to change without notice. Other brand and product names mentioned herein may be trademarks or registered trademarks of their respective owners.

© Copyright, 2007. Pulse Engineering, Inc. All rights reserved.

www.pulseeng.com

B815.C (8/07)