

NO. OF CIRCUITS	PART NUMBER	ENGINEERING NUMBER	COLOR	DIM. "A"	DIM. "B"	DIM. "C"
				mm	mm	mm
2	397183002	M750B-23-2-02-1	BLACK	20.28	5.08	15.48
3	397183003	M750B-23-2-03-1	BLACK	25.35	10.16	20.56
4	397183004	M750B-23-2-04-1	BLACK	30.44	15.24	25.64
5	397183005	M750B-23-2-05-1	BLACK	35.52	20.32	30.72
6	397183006	M750B-23-2-06-1	BLACK	40.60	25.40	35.80
7	397183007	M750B-23-2-07-1	BLACK	45.68	30.48	40.88
8	397183008	M750B-23-2-08-1	BLACK	50.76	35.56	45.96
9	397183009	M750B-23-2-09-1	BLACK	55.84	40.64	51.04
10	397183010	M750B-23-2-10-1	BLACK	60.92	45.72	56.12
11	397183011	M750B-23-2-11-1	BLACK	66.00	50.80	61.20
12	397183012	M750B-23-2-12-1	BLACK	71.08	55.88	66.28

SPECIFICATIONS

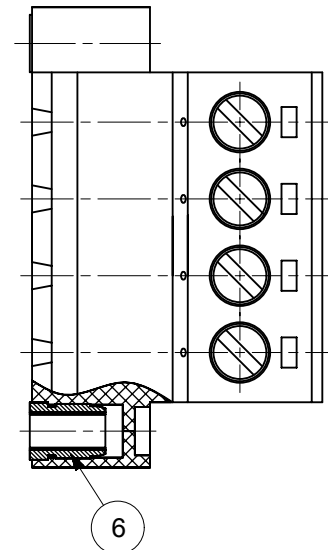
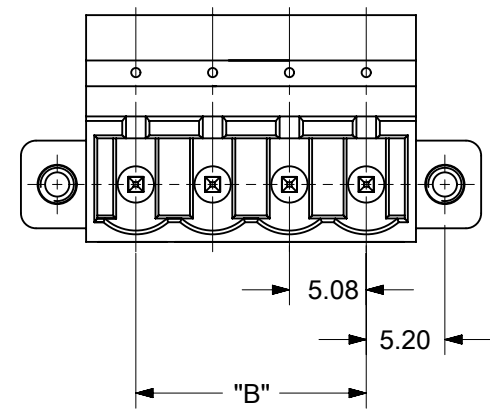
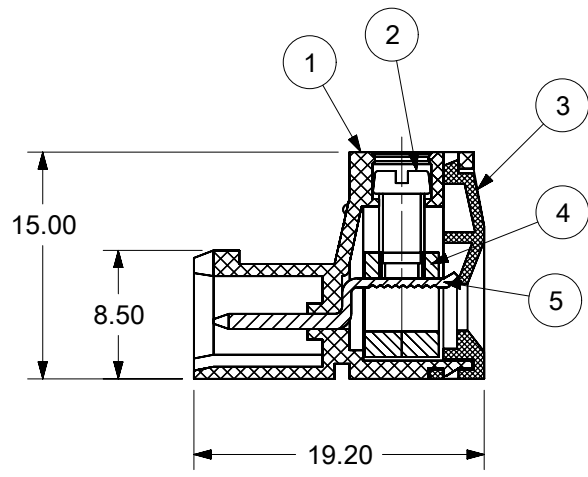
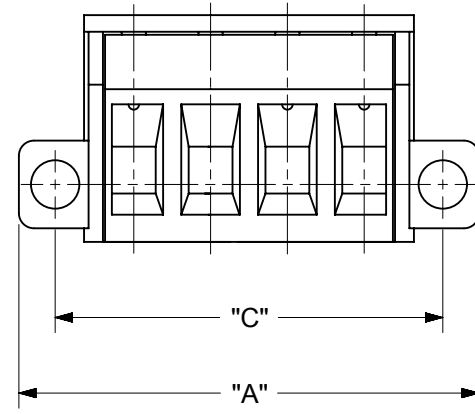
1. MATERIALS

- 1. BODY: PA66 UL94-V0
- 2. SCREW: M3.0 ZINC PLATED STEEL
- 3. COVER: PA66 UL94-V0
- 4. CAGE: NICKEL PLATED BRASS
- 5. TERMINAL: TIN PLATED BRASS
- 6. MATING THREADS: NICKEL PLATED BRASS

2. ELECTRICAL RATINGS

MAXIMUM VOLTAGE: 300V
 MAXIMUM AMPERAGE: 18A
 INSULATION RESISTANCE: DC500V, 500M
 DIELECTRIC WITHSTAND: AC2500V FOR 1 MIN.
 IMPACT WITHSTAND VOLTAGE: 4000V

3. OPERATING TEMPERATURE: -40°C TO +105°C



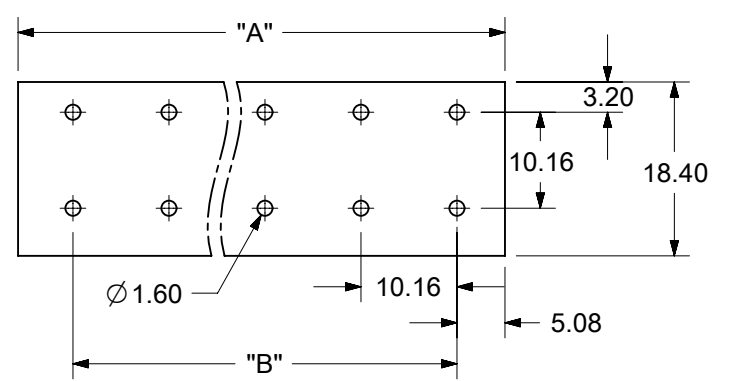
TOLERANCES			
MM	TOL	INCH	TOL
0-6	±0.25	0-.24	±.010
>6-30	±0.40	.24-1.18	±.016
>30-120	±0.50	1.18-4.76	±.020
>120	±0.80	>4.76	±.031

FUNCTIONAL SYMBOLS		THIS DRAWING CONTAINS INFORMATION THAT IS PROPRIETARY TO MOLEX ELECTRONIC TECHNOLOGIES, LLC AND SHOULD NOT BE USED WITHOUT WRITTEN PERMISSION		CURRENT REV DESC: INITIAL RELEASE		molex	
∇/A = 0	DIMENSION UNITS: mm	SCALE: 2:1	GENERAL TOLERANCES (UNLESS SPECIFIED)				
∇/E = 0	ANGULAR TOL ± ---		4 PLACES ± ---			EC NO: 665379	
∇/F = 0	3 PLACES ± ---		2 PLACES ± ---			DRWN: ABENJAMINLW 2021/05/26	
DIVISIONAL SYMBOLS		1 PLACE ± SEE CHART		0 PLACES ± ---		CHK'D: DACHAMMER 2021/05/26	
DRAFT WHERE APPLICABLE MUST REMAIN WITHIN DIMENSIONS		THIRD ANGLE PROJECTION		DRAWING: B-SIZE		SERIES: 39718	
DOCUMENT STATUS: P1		RELEASE DATE: 2021/06/11 20:09:56		MATERIAL NUMBER: SEE CHART		CUSTOMER: GENERAL MARKET	
REVISION: J		DATE: 2020/01/14		DOCUMENT NUMBER: 397183002		DOC TYPE: PSD	
REVISION: J		DATE: 2020/01/14		DOC PART: 000		REVISION: A	
REVISION: J		DATE: 2020/01/14		SHEET NUMBER: 1 OF 1		REVISION: A	

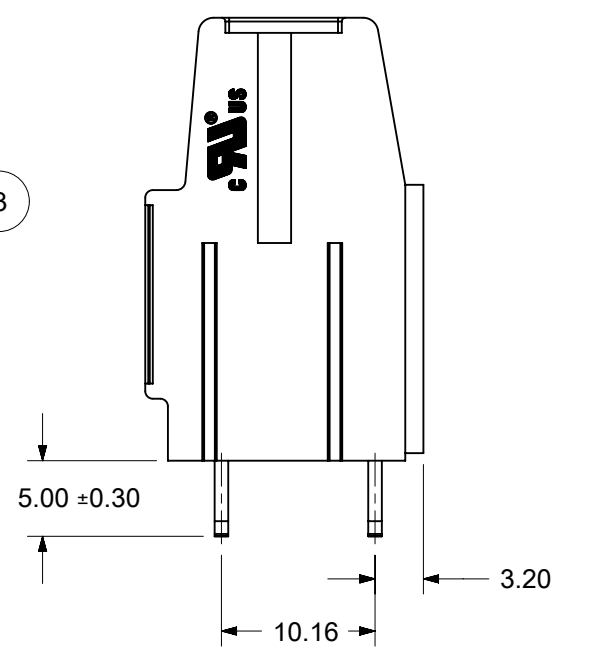
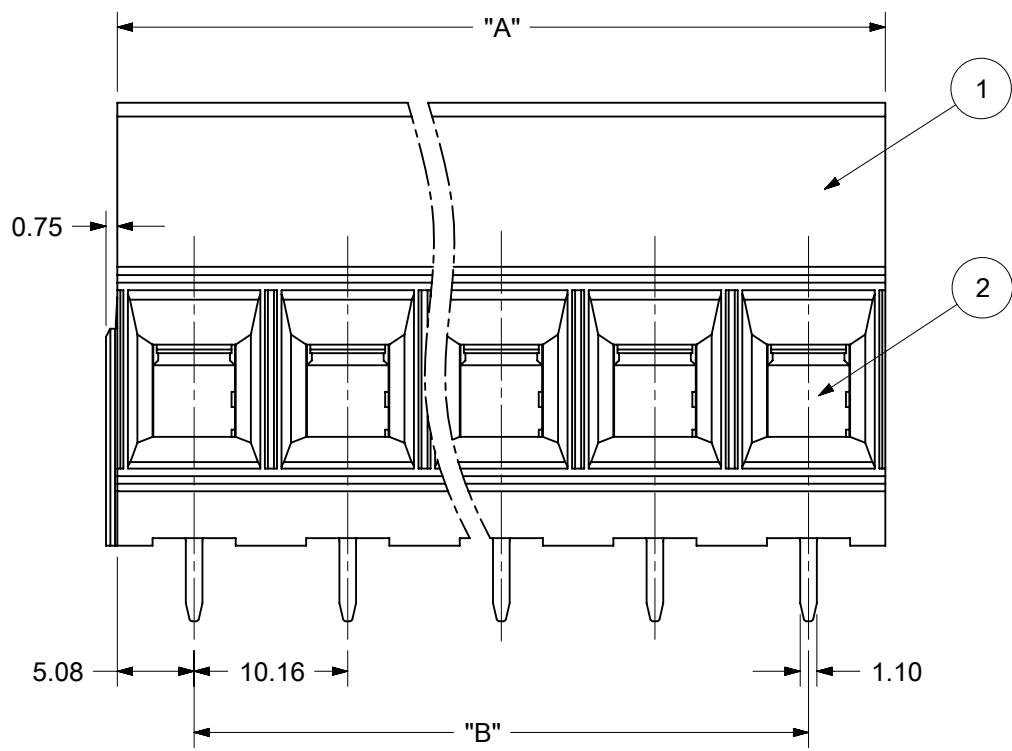
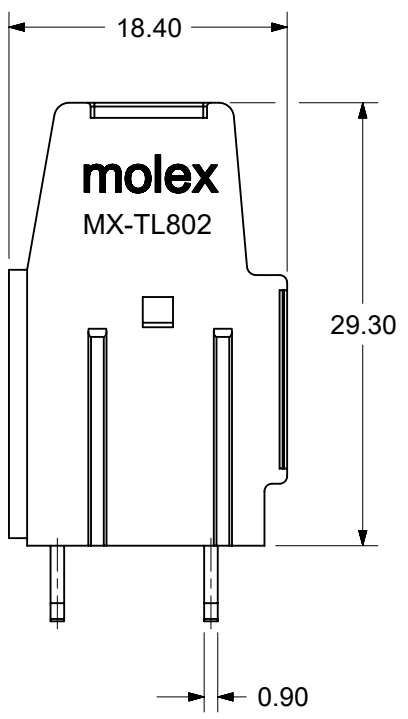
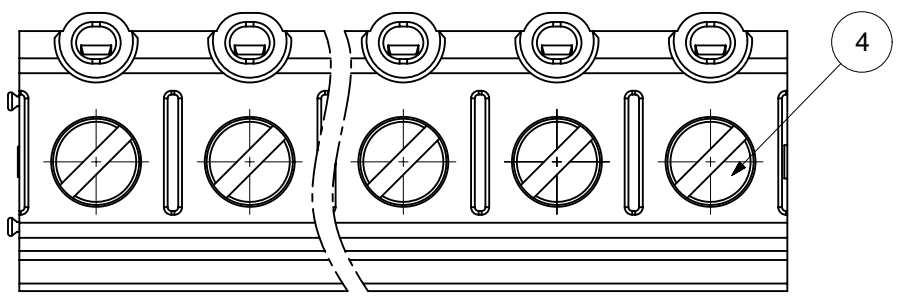
NO. OF CIRCUITS	PART NO.	ENGINEERING NO.	COLOR	DIM "A"	DIM "B"
				MM	MM
2	399701002	MX-TL802-02P-G12S	GREEN	20.32	10.16
3	399701003	MX-TL802-03P-G12S	GREEN	30.48	20.32
4	399701004	MX-TL802-04P-G12S	GREEN	40.64	30.48
5	399701005	MX-TL802-05P-G12S	GREEN	50.80	40.64
6	399701006	MX-TL802-06P-G12S	GREEN	60.96	50.80
7	399701007	MX-TL802-07P-G12S	GREEN	71.12	60.96
8	399701008	MX-TL802-08P-G12S	GREEN	81.28	71.12
9	399701009	MX-TL802-09P-G12S	GREEN	91.44	81.28
10	399701010	MX-TL802-10P-G12S	GREEN	101.60	91.44
11	399701011	MX-TL802-11P-G12S	GREEN	111.76	101.60
12	399701012	MX-TL802-12P-G12S	GREEN	121.92	111.76

MATERIALS	
1. HOUSING	PA66 UL94 V-0
2. RISING CAGE CLAMP	NICKEL PLATED BRASS
3. TERMINAL	TIN PLATED COPPER ALLOY
4. M4 SCREW	ZINC PLATED STEEL

ELECTRICAL , MECHANICAL AND THERMAL RATINGS	
MAXIMUM VOLTAGE	300V (PER UL GROUP B & C)
	600V (PER UL GROUP D)
MAXIMUM CURRENT	65A (PER UL GROUP B & C)
	5A (PER UL GROUP D)
WIRE RANGE	6-20 AWG (SOLID OR STRANDED)
INSULATION RESISTANCE	500MΩ OR MORE AT 500V DC
WITHSTAND VOLTAGE	4200V PER 1 MINUTE
SCREW TORQUE	1.81Nm (16 IN-LBS)
WIRE STRIP LENGTH	10.0mm
OPERATING TEMPERATURE	-40°C TO +105°C



PC BOARD LAYOUT (SCALE 1.25:1)



Total Pitch Tolerances in mm									Nominal dimension range in mm									
over	over	over	over	over	over	over	over	over	over	over	over	over	over	over	over	over	over	over
0	30	53	70	90	115	150	200	250	0	30	53	70	90	115	150	200	250	
to	to	to	to	to	to	to	to	to	to	to	to	to	to	to	to	to	to	
30	53	70	90	115	150	200	250	320	30	53	70	90	115	150	200	250	320	
±0.20	±0.25	±0.30	±0.35	±0.44	±0.55	±0.70	±0.85	±1.00	±0.25	±0.30	±0.35	±0.44	±0.55	±0.70	±0.80	±0.90	±1.20	

FUNCTIONAL SYMBOLS		THIS DRAWING CONTAINS INFORMATION THAT IS PROPRIETARY TO MOLEX ELECTRONIC TECHNOLOGIES, LLC AND SHOULD NOT BE USED WITHOUT WRITTEN PERMISSION		CURRENT REV DESC: INITIAL RELEASE		molex	
∇A = 0	mm	SCALE	2:1	GENERAL TOLERANCES (UNLESS SPECIFIED)			
∇E = 0				ANGULAR TOL ± ---		10.16MM HORIZONTAL TERMINAL BLOCK, MODULAR	
∇F = 0				4 PLACES ± ---		PRODUCT CUSTOMER DRAWING	
DIVISIONAL SYMBOLS		3 PLACES ± ---		2 PLACES ± SEE CHART		DOCUMENT NUMBER	
		1 PLACE ± SEE CHART		0 PLACES ± ---		399701002	
DRAFT WHERE APPLICABLE MUST REMAIN WITHIN DIMENSIONS		THIRD ANGLE PROJECTION		DRAWING		SERIES	
		B-SIZE		39970		MATERIAL NUMBER	
		SEE CHART		GENERAL MARKET		CUSTOMER	
		1 OF 1		SHEET NUMBER		REVISION	