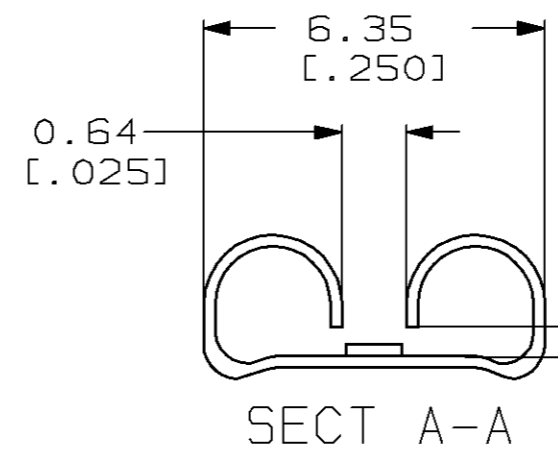
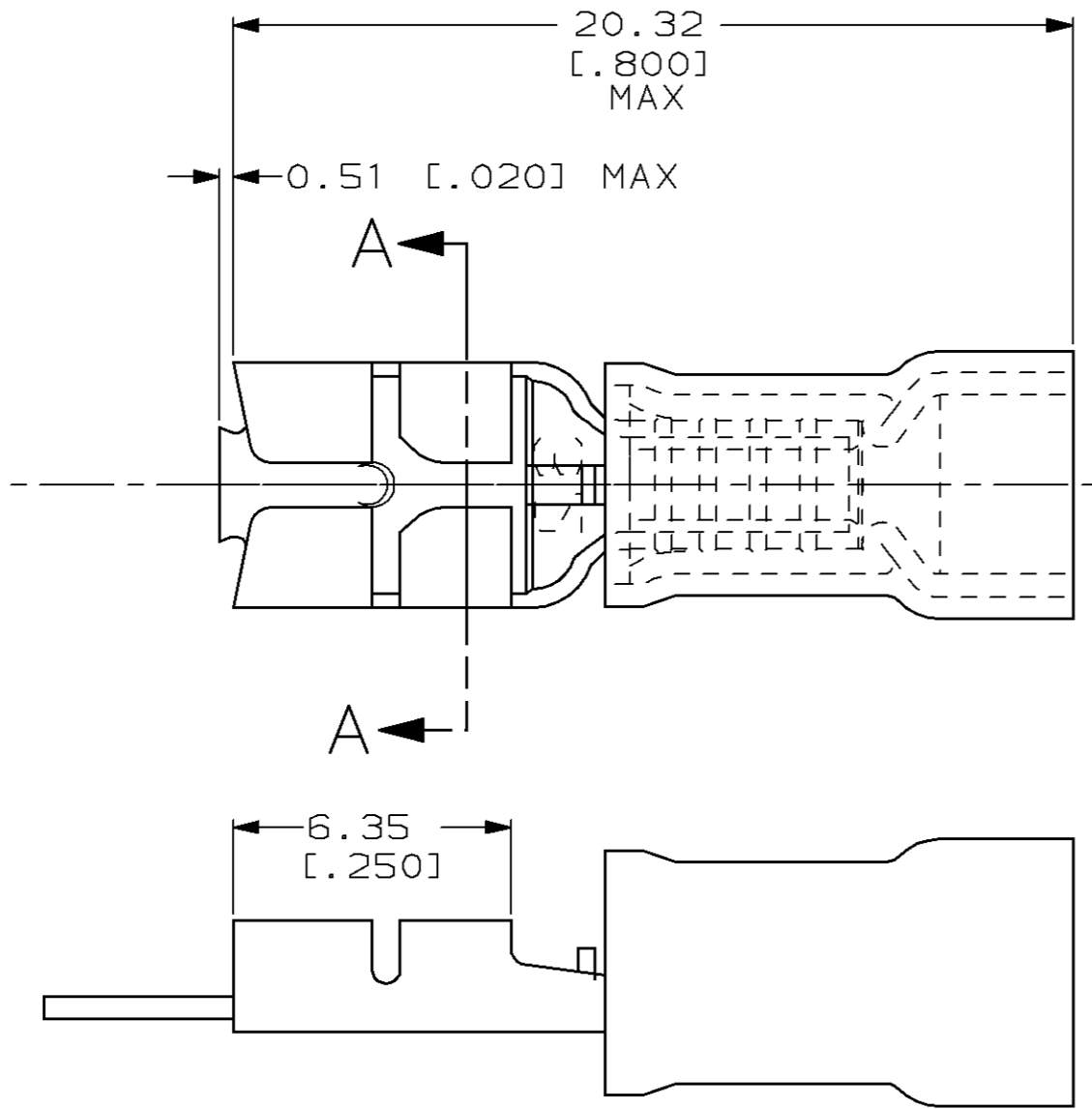


THIS DRAWING IS UNPUBLISHED. RELEASED FOR PUBLICATION, 19 .  
 © COPYRIGHT 19 BY AMP INCORPORATED. ALL RIGHTS RESERVED.

LOC	DIST	REVISIONS					
		P	LTR	DESCRIPTION	DATE	DWN	APVD
G	14		0	REL. PER 97-1164-001 & 97-3096-001	11AUG97	ME	BB



1 INSULATION DIA 3.43 [.135] MAX  
 2 FITS TAB 0.51 [.020] THK

FITS "205" SERIES FASTON TAB

QTY	PACKAGE TYPE	PART NUMBER
4000	TAPE MOUNTED	696018-2
1000	LOOSE PIECE	696018-1

AMP INCORPORATED  
 CUSTOMER SERVICE SYSTEM

FOR ADDITIONAL PRODUCT INFORMATION OR COPIES OF DRAWINGS AND TECHNICAL DOCUMENTS	PRODUCT INFORMATION CENTER 1-800-522-6752
FOR APPLICATION TOOLING INFORMATION	TOOLING ASSISTANCE CENTER 1-800-722-1111
FOR ORDER ENTRY	1-800-526-5142

MAX RECOMMENDED OPERATING TEMPERATURE:  
 -  
 VOLTAGE RATING:  
 -  
 CIRCULAR MIL AREA:  
 - - - -

THIS DRAWING IS A CONTROLLED DOCUMENT.

DIMENSIONS:	TOLERANCES UNLESS OTHERWISE SPECIFIED:
mm	
	0 PLC ±-
	1 PLC ±-
	2 PLC ±0.38 [.015]
	3 PLC ±-
	4 PLC ±-
	ANGLES ±-

MATERIAL: BODY, BRASS, .016 SLEEVE, NYLON, RED  
 FINISH: BODY, TIN

DWN	M ELLIS	11AUG97
CHK	B BARE	11AUG97
APVD	C FOX	11AUG97
PRODUCT SPEC	-	-
APPLICATION SPEC	-	-
WEIGHT	-	-

**AMP** AMP Incorporated  
 Harrisburg, PA 17105-3608

NAME: RECEPTACLE, 205 SERIES, FASTON™ PIDG™ WIRE SIZE, 22-18 AWG

SIZE	CAGE CODE	DRAWING NO	RESTRICTED TO
A3	00779	C-696018	-

CUSTOMER DRAWING SCALE 6:1 SHEET 1 OF 1 REV 0