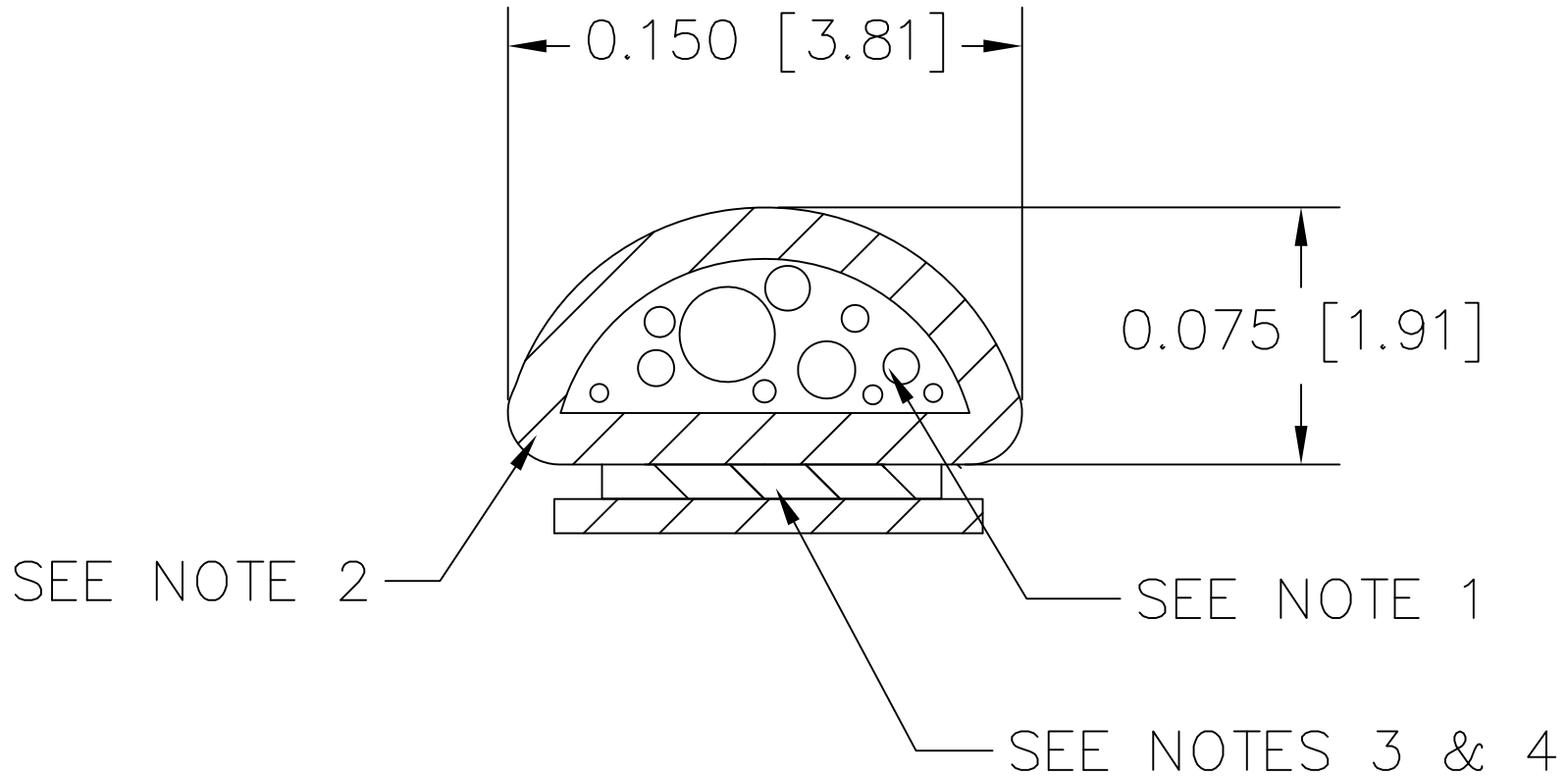


CONFIDENTIAL & PROPRIETARY

THIS INFORMATION IS CONFIDENTIAL AND PROPRIETARY TO LAIRD TECHNOLOGIES. IT MAY NOT BE DISCLOSED TO ANYONE, OTHER THAN LAIRD TECHNOLOGIES PERSONNEL, WITHOUT WRITTEN AUTHORIZATION FROM LAIRD TECHNOLOGIES.



NOTES:

1. FOAM: HF-1
2. FABRIC: NICKEL NRS FR
3. TAPE: .100" TAPE HI-TEMP
4. LINER: 1/8" EXTENDED RELEASE LINER
5. FABRIC SEAM LOCATION MAY VARY.
6. CARRIER: NO CARRIER
7. THIS PART IS RoHS COMPLIANT

REVISIONS:	TITLE:		DRAWN	DATE	SCALE:	DIMENSIONS ARE IN INCHES. UNLESS OTHERWISE SPECIFIED, TOLERANCES ARE AS FOLLOWS:
	SHIELDING GASKET		B. GAVENDA	5/5/06	1/1	
	Dwg. or Part No.		CHECKED BY:	DATE		
	4139-AD-51K		GIBILTERRA	5/5/06		
	REV.	RELEASED BY:	DATE		DECIMALS	LENGTH
	0	FJG	6/14/06		.XX ± .03	0" - 6" ± .030"
					.XXX ± .020	6" - 11" ± .050"
						11" - 48" ± .100"
					ANGLES	48° - 70° ± .187°
						70° - 144° ± .250"

