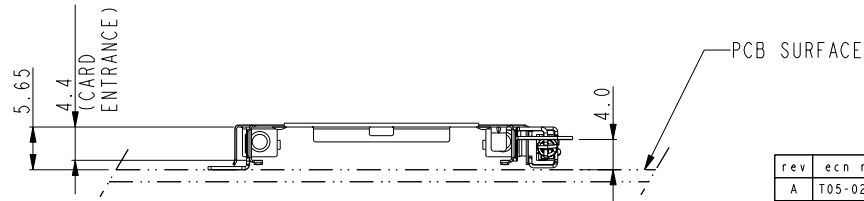
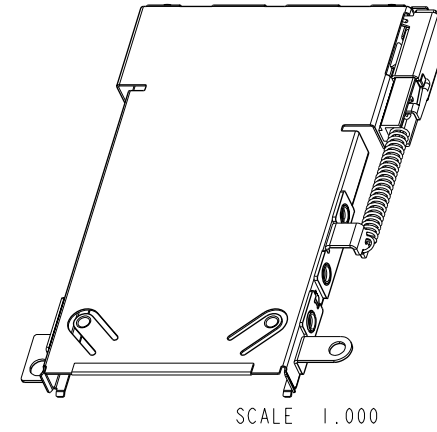
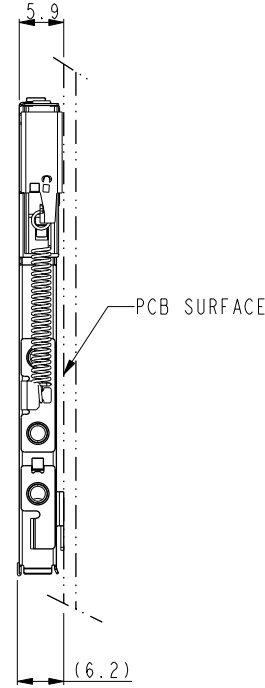
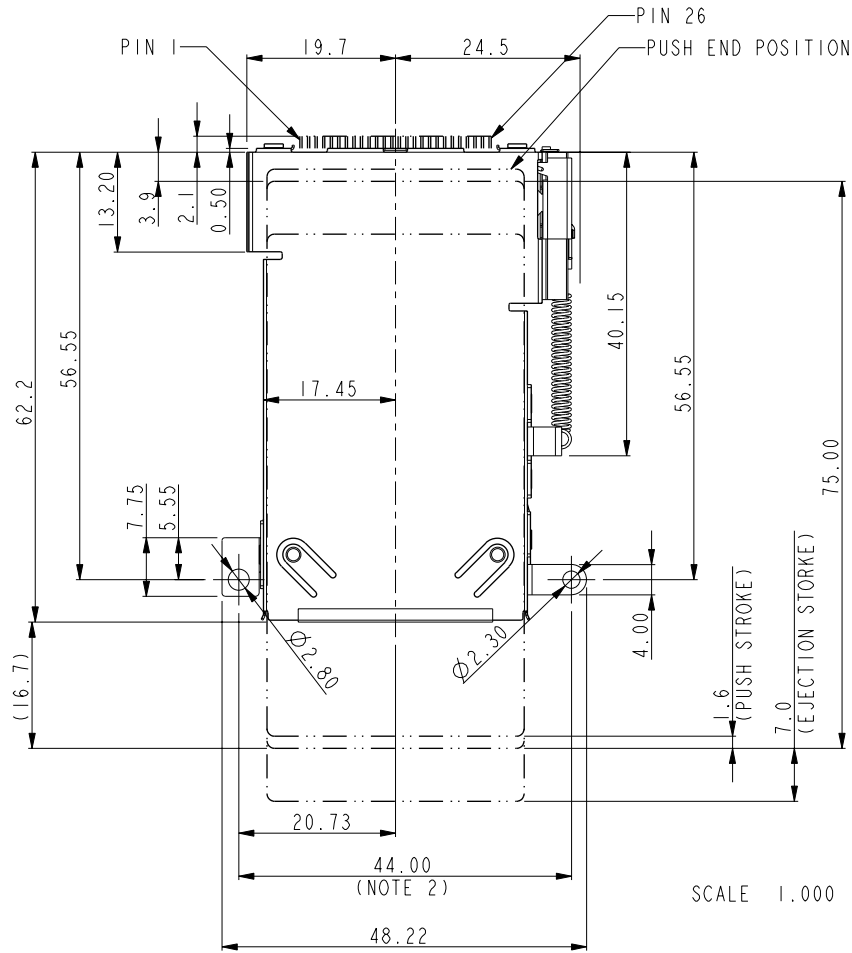


Tous droits strictement réservés. Reproduction ou communication à des tiers interdite sous quelque forme que ce soit sans autorisation écrite du propriétaire. Propriété de FCI. Droits de reproduction FCI.



All rights strictly reserved. Reproduction or issue to third parties in any form whatever is not permitted without written authority from the proprietor. Property of FCI. Copyright FCI.



rev	ecn no	dr	date
A	T05-0222	TAI	09/26/05
B	T05-0244	TAI	10/28/05
-	-	-	-
-	-	-	-
-	-	-	-
-	-	-	-

		www.fciconnect.com	tolerance ASME Y14.5	projection	MM
Dr	KENNY TAI	07/22/05	Product family	size	A4
Eng	KENNY TAI	07/22/05	Spec ref	ECN	T05-0244
Chr	KENNY TAI	07/22/05	Material	Scale	1.000
Appr	PAUL WANG	07/22/05			
title			TOP MOUNT, CARD PUSH		dwg no
EXPRESSCARD HOST MECH.			10058523		
catalog no			10058523	CUSTOMER	Rev. B
				sheet 1 of 2	

tolerance unless otherwise specified	
linear	.X ± .5
	.XX ± .30
angles	0° ± 2°

1

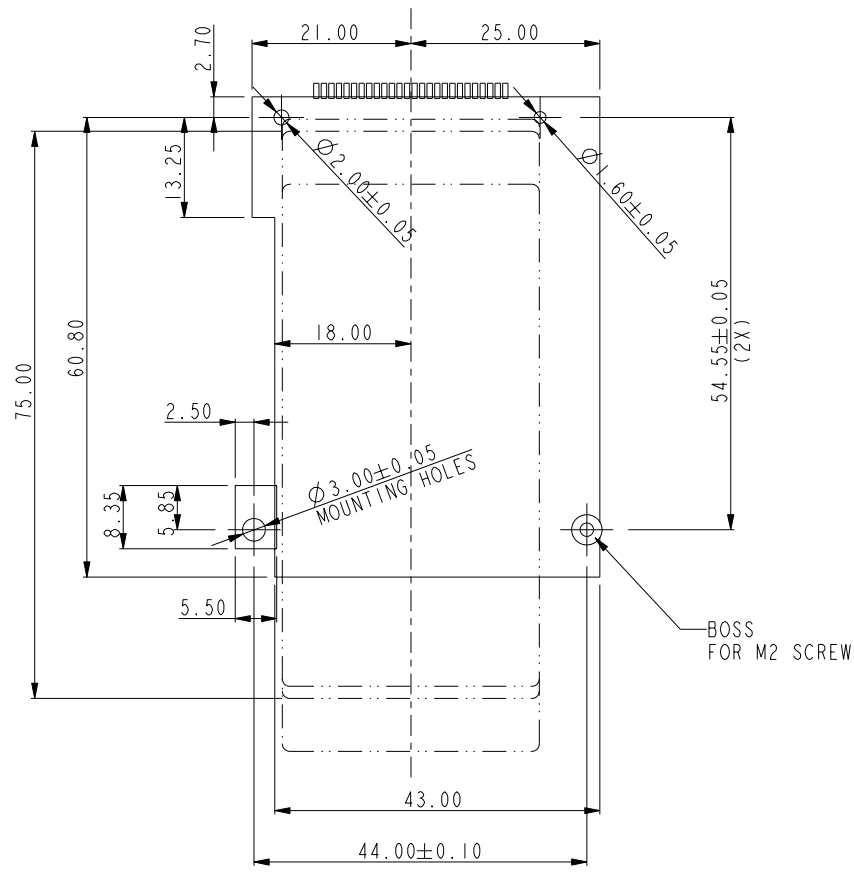
2

3

4

PART NO.	MOUNTING	STAND-OFF	HOST CONN P/N	PRODUCT SPEC.	PACKING SPEC.	CONN. UNMATING FORCE
10058523-00ALF	ABOVE	0MM	10058937-X00AXXLF	GS-12-301	GS-14-295	18.5N MAX.

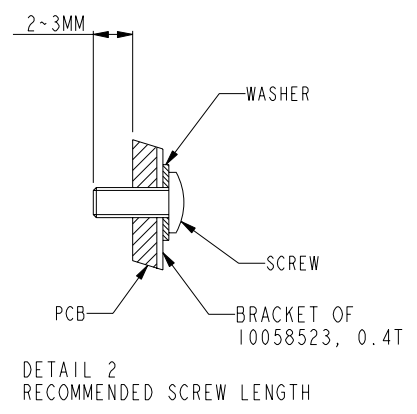
Tous droits strictement reserves. Reproduction ou communication a des tiers interdite sous quelque forme que ce soit sans autorisation ecrite du proprietaire. Propriete de FCI. Droits de reproduction FCI.



NO MOUNTING PART AREA

- NOTE:
- 2 M2\*0.4P SCREWS WITH WASHER ARE REQUIRED.
  - SHOW DIMENSION AFTER FASTENED TO PCB.
  - SEE HOST CONNECTOR DRAWINGS FOR PCB LAYOUT DETAIL.
  - RECOMMENDED TIGHTING TORQUE 1.6~1.8 KGF-CM.
  - SEE DETAIL 2 FOR RECOMMENDED SCREW LENGTH.

SCALE 1.000



All rights strictly reserved. Reproduction or issue to third parties in any form whatever is not permitted without written authority from the proprietor. Property of FCI. Copyright FCI.

title	TOP MOUNT, CARD PUSH		dwg no	10058523	Rev.	B
	EXPRESSCARD HOST MECH.					
catalog no	10058523	CUSTOMER	sheet 2 of 2			

A  
B  
C  
D