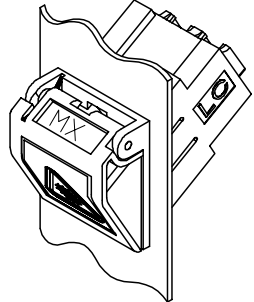
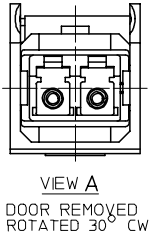
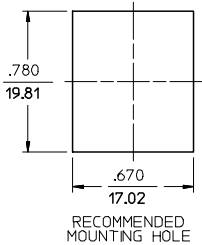
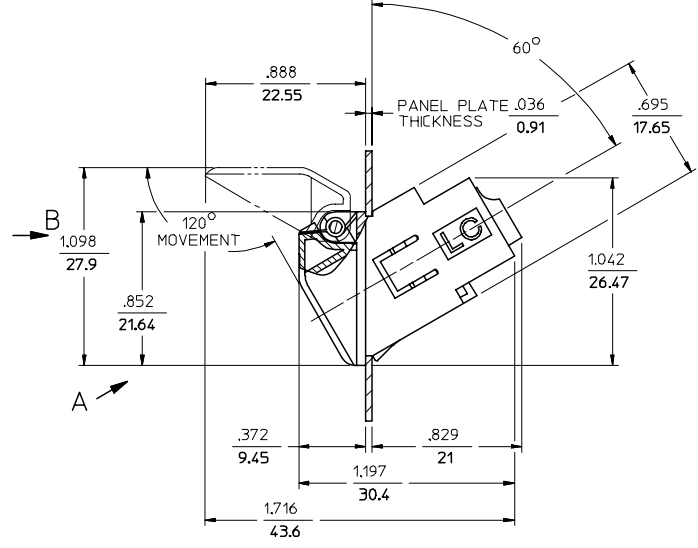
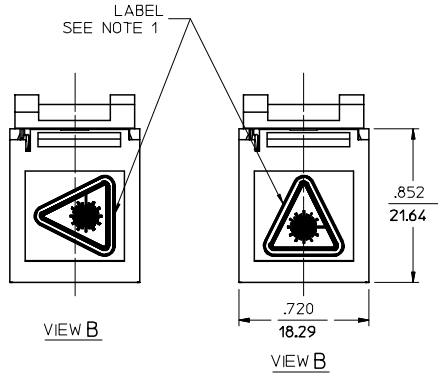


| KIT P/N     | SLEEVE MATERIAL |
|-------------|-----------------|
| 106004-3378 | ZIRCONIA        |
| 106004-3379 | PHOSPHOR BRONZE |



NOTES:  
1. LABEL TO BE INSTALLED BY CUSTOMER.

|   |                     |  |                      |                          |                     |              |                      |                           |  |   |
|---|---------------------|--|----------------------|--------------------------|---------------------|--------------|----------------------|---------------------------|--|---|
| ENTER DESCRIPTION<br>EC NO: MF2006-0262<br>DRAWN/PAC IFC1 2005/12/01<br>CHKD: 2005/12/01<br>APPR: JGUMIN 2005/12/01<br>REV: A | QUALITY SYMBOLS<br> | GENERAL TOLERANCES (UNLESS SPECIFIED)                |                      | DIMENSION STYLE<br>IN/MM |                     | SCALE<br>2:1 | DESIGN UNITS<br>INCH | THIRD ANGLE PROJECTION    |  |   |
|   |                     | 4 PLACES ± --- ± ---                                 | 3 PLACES ± --- ± --- | 2 PLACES ± --- ± ---     | 1 PLACE ± --- ± --- | DRAWN BY     | DATE                 | TITLE                     | <b>METALIZED LC BEZEL ADAPTER KITS</b> |   |
|   |                     | ANGULAR ±1/2°  |                      |                          |                     | CHECKED BY   | DATE                 | <b>MOLEX INCORPORATED</b> |  |   |
|   |                     | DRAFT WHERE APPLICABLE MUST REMAIN WITHIN DIMENSIONS |                      |                          |                     | MATERIAL NO. | DATE                 | DOCUMENT NO.              | SHEET NO.                              | THIS DRAWING CONTAINS INFORMATION THAT IS PROPRIETARY TO MOLEX INCORPORATED AND SHOULD NOT BE USED WITHOUT WRITTEN PERMISSION |