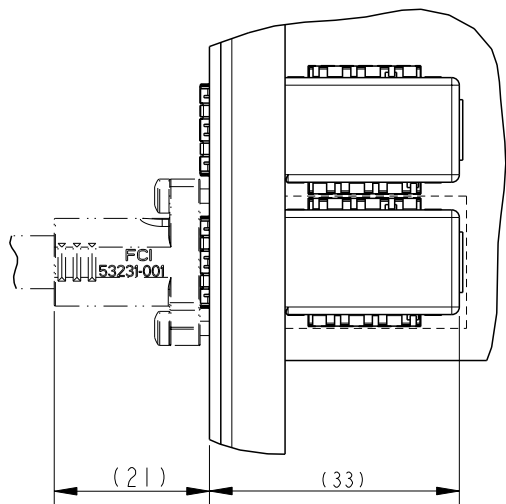
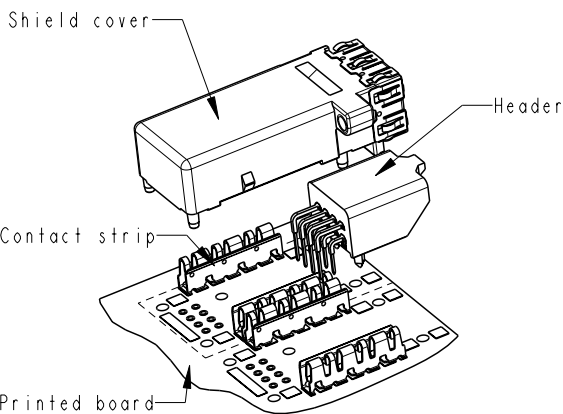
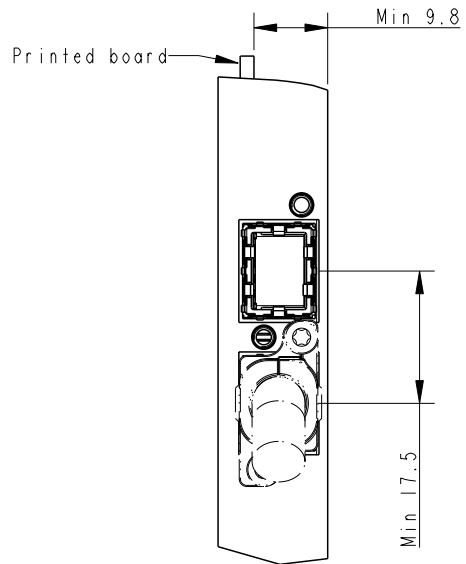
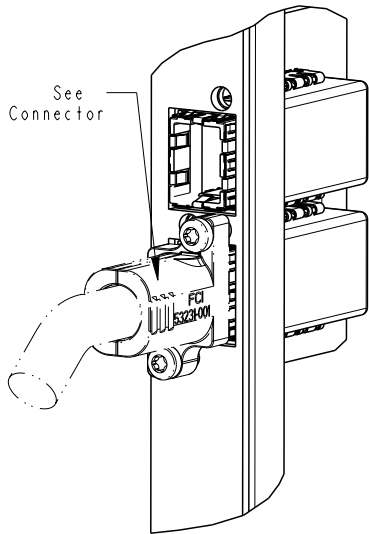


See
Cable Connector



PRODUCT SPECIFICATION: GS-12-307
 PACKAGING SPECIFICATION: EUR-14-010
 APPLICATION SPECIFICATION: GS-20-049
 MATERIAL:

1. HEADER HOUSING:.....LIQUID CRYSTAL POLYMER 30 % GLASS
 FLAME RETARDENT ACC. UL 94-V0
2. COVER:.....ZINC ALLOY
3. TERMINAL:.....TINBRONZE
4. GROUND SPRING:.....STAINLESS STEEL
5. CONTACT STRIP:.....STAINLESS STEEL

- NOTE
6. PCB THICKNESS:1.4-2.4 mm
 7. ROHS INFORMATIONS: see sheet 4.

rev	ecn no	dr	date
J	LS07-0255	JTA	2007/11/12
-	-	-	-
D	LS4129	JTA	2004/12/15
E	LS05-0102	JTA	2005/12/15
F	LS06-0084	LGO	2006/07/01
G	LS06-0143	LGO	2006/09/25
H	LS07-0188	JTA	2007/06/29



PERFORMANCE LEVEL	
72860-1XXLF	Telcordia CO.
72860-2XXLF	Customer Special

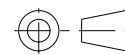
www.fciconnect.com

surface
ISO 1302

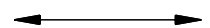


tolerance std
ISO 406 ISO 1101

projection



mm



TOLERANCES UNLESS OTHERWISE SPECIFIED

Dr	HAC	2002/06/30	ANGULAR	LINEAR	0.X	±0.3	size	A4	Scale	1:10
Eng	G.Nys	2002/06/30			0.XX	±0.1				
Chr	W.Panis	2002/06/30	0°	±2°	0.XXX	±0.05	ECN	LS07-0255		
Appr	W.Panis	2002/06/30	Product family			SOFIX		Spec ref	RELEASED	



title PIP HDR 8 Pos.
 Sofix shielded i/o
 catalog no

dwg no

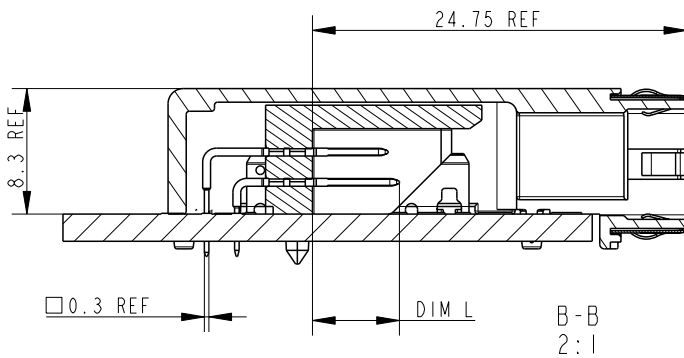
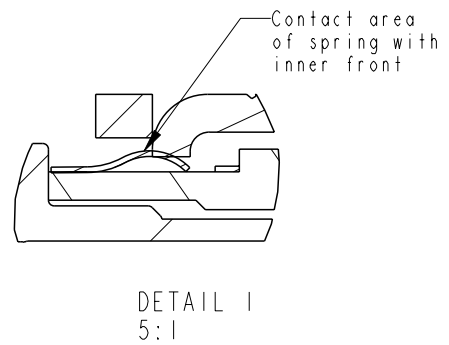
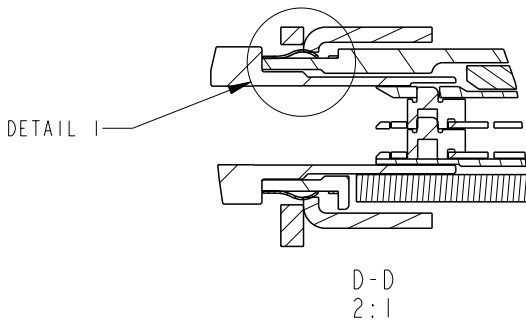
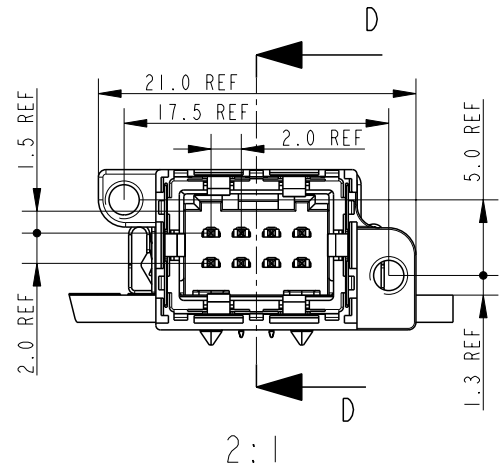
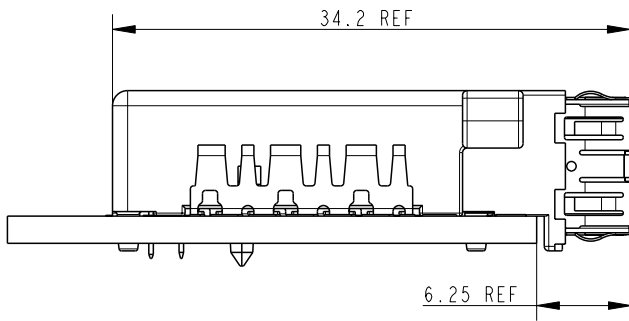
72860_C

Rev.
J

CUSTOMER COPY

sheet 1 of 4

REV F - 2006-04-17



Copyright FCI.

www.fciconnect.com			surface ISO 1302 ✓		tolerance std ISO 406 ISO 1101		projection mm	
			TOLERANCES UNLESS OTHERWISE SPECIFIED				A4	
Dr	HAC	2002/06/30	ANGULAR	LINEAR	0.X	±0.3	size	Scale 1:10
Eng	G.Nys	2002/06/30			0.XX	±0.1		
Chr	W.Panis	2002/06/30	0° ±y°		0.XXX	±0.05	ECN	LS07-0255
Appr	W.Panis	2002/06/30	Product family			SOFIX	Spec ref	RELEASED
			title PIP HDR 8 Pos. Sofix shielded i/o			dwg no 72860_C		Rev. J
catalog no			CUSTOMER COPY			sheet 2 of 4		

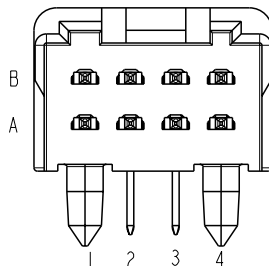
REV F - 2006-04-17

LEAD-FREE PRODUCTS:(see note 7)

KIT: 72860-X0XLF	
COMPONENTS	QTY
SHIELD COVER	1
HEADER	1
CONTACT SPRING	2



PRODUCT NO.	MATING LENGTH DIMENSION L
72830-X01LF	Row B 5.0 Row A 5.75
72830-X02LF	Row B Pos1 and Pos2 = 5.00 Row B Pos3 and Pos4 = 5,75 Row A 5.75
72830-X03LF	Row B 5.75 Row A Pos1 and Pos2 = 5.00 Row A Pos3 and Pos4 = 5.75



Dimension with oval around are critical dimensions including any attached geometrical tolerance. Other features or stand-alone geometrical tolerances being critical have a note "CRITICAL FEATURE" below the item

A symbol \triangle_x (x:drawing current revision) will be next to any dimension, view or note which has been modified with the current drawing revision



Copyright FCI.

www.fciconnect.com		surface ISO 1302	✓	tolerance std ISO 406 ISO 1101	projection 	mm 		
		TOLERANCES UNLESS OTHERWISE SPECIFIED						
Dr	HAC	2002/06/30	ANGULAR	LINEAR	0.X	±0.3	size A4	Scale 1:10
Eng	G.Nys	2002/06/30			0.XX	±0.1		
Chr	W.Panis	2002/06/30	0°	±y°	0.XXX	±0.05	ECN	LS07-0255
Appr	W.Panis	2002/06/30	Product family		SOFIX		Spec ref	RELEASED
		title PIP HDR 8 Pos. Sofix shielded i/o			dwg no 72860_C		Rev. J	
catalog no		CUSTOMER COPY				sheet 3 of 4		

REV F - 2006-04-17

7-ROHS INFORMATIONS:

-This product meets European Union Directives and other country regulations as described in GS-22-008.

-The housing will withstand exposure to 260°C peak temperature for 5 second in a wave solder application with a 1.4mm minimum thick circuit board. See Application notes/procedures if they are available.

-Packaging spec: see GS-14-920.



Copyright FCI.

www.fciconnect.com			surface ISO 1302		tolerance std ISO 406 ISO 1101		projection 		mm 		
			TOLERANCES UNLESS OTHERWISE SPECIFIED								
Dr	HAC	2002/06/30	ANGULAR	LINEAR	0.X	±0.3	size A4	Scale 1:10			
Eng	G.Nys	2002/06/30			0.XX	±0.1					
Chr	W.Panis	2002/06/30	0°	±y°	0.XXX	±0.05	ECN	LS07-0255			
Appr	W.Panis	2002/06/30	Product family			SOFIX		Spec ref	RELEASED		
		title PIP HDR 8 Pos. Sofix shielded i/o				dwg no 72860_C			Rev. J		
		catalog no				CUSTOMER COPY			sheet 4 of 4		

REV F - 2006-04-17