

# USB Type-C Connectors

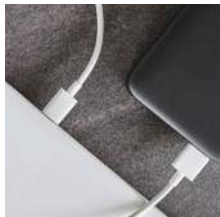
Right Angle Type / Straight Type /  
Waterproof Type

## Feature and Advantages

- Smaller size
- Usability enhancements
- Various soldering and mounting options available
- Transmission up to 10 Gbps and power transmission (USB PD) capability of 100w

## Applications

- Earphone
- VR device
- Smartwatch
- Smartphone
- Keyboard & Mouse
- Tablet computer & Laptop



USB-CA16HTBTR



USB-CB16HTBTR



USB-CC16HMXTR



USB-CD16HMXTR



USB-CE16HTBTR



USB-CF24HTBTR



USB-CG24HTBTR



USB-CH24VTBTR



USB-CI24HTBTR



USB-CJ24HMXTR

# USB Type-C Connectors

## Product Variation

P/N	USB-CA16HTBTR	USB-CB16HTBTR	USB-CC16HMXTR	USB-CD16HMXTR	USB-CE16HTBTR
3D Image					
USB Version	2.0	2.0	2.0	2.0	2.0
No. of Contacts	16P	16P	16P	16P	16P
PCB Mount Type	Surface Mount	Surface Mount	Surface Mount	Surface Mount	Surface Mount
Orientation	Horizontal	Horizontal	Horizontal	Horizontal	Horizontal
Entry Type	Side	Side	Side	Side	Side
Profile	3.26mm	3.26mm	3.16mm	3.16mm	4.24mm
Mount Position	Top Mount	Top Mount	Mid-Mount (offset height = 0.98)	Mid-Mount (offset height = 1.60)	Top Mount
Current Rating	5A	5A	5A	5A	5A
Shell Stake	Through Hole	Through Hole	Through Hole	Through Hole	Through Hole
Shell Stake Length	0.90mm	0.90mm	0.70mm	0.70mm	0.70mm
Locating PEG	With Locating PEG	With Locating PEG	Without Locating PEG	Without Locating PEG	With Locating PEG
Body Length	7.35mm	7.35mm	6.50mm	6.50mm	6.45mm
Mating Cycle	10,000 Cycles	10,000 Cycles	10,000 Cycles	10,000 Cycles	10,000 Cycles
Waterproof (IP67)	No	No	No	No	Yes

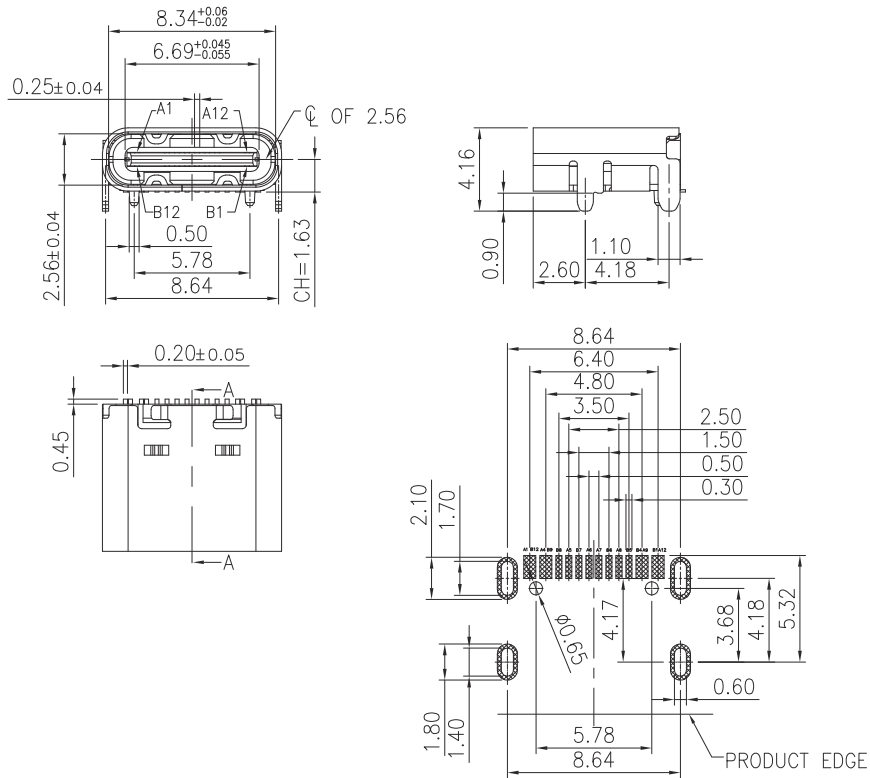
# USB Type-C Connectors

## Product Variation

P/N	USB-CF24HTBTR	USB-CG24HTBTR	USB-CH24VTBTR	USB-CI24HTBTR	USB-CJ24HMXTR
3D Image					
USB Version	2.0	3.0	3.0	3.0	3.0
No. of Contacts	24P	24P	24P	24P	24P
PCB Mount Type	Surface Mount	Surface Mount	Surface Mount	Surface Mount	Surface Mount
Orientation	Horizontal	Horizontal	Vertical	Horizontal	Horizontal
Entry Type	Side	Side	Top	Side	Side
Profile	3.31mm	3.16mm	9.25mm	3.24mm	3.16mm
Mount Position	Top Mount	Top Mount	Top Mount	Top Mount	Mid-Mount (offset height = 1.00)
Current Rating	3A	5A	5A	5A	5A
Shell Stake	Through Hole	Through Hole	Through Hole	Through Hole	Through Hole
Shell Stake Length	1.30mm	0.50mm	1.15mm	0.58mm	1.70
Locating PEG	With Locating PEG	With Locating PEG	With Locating PEG	With Locating PEG	Without Locating PEG
Body Length	9.34mm	7.90mm	1.05mm	8.00mm	7.90mm
Mating Cycle	10,000 Cycles	10,000 Cycles	10,000 Cycles	10,000 Cycles	10,000 Cycles
Waterproof (IP67)	No	No	Yes	No	No

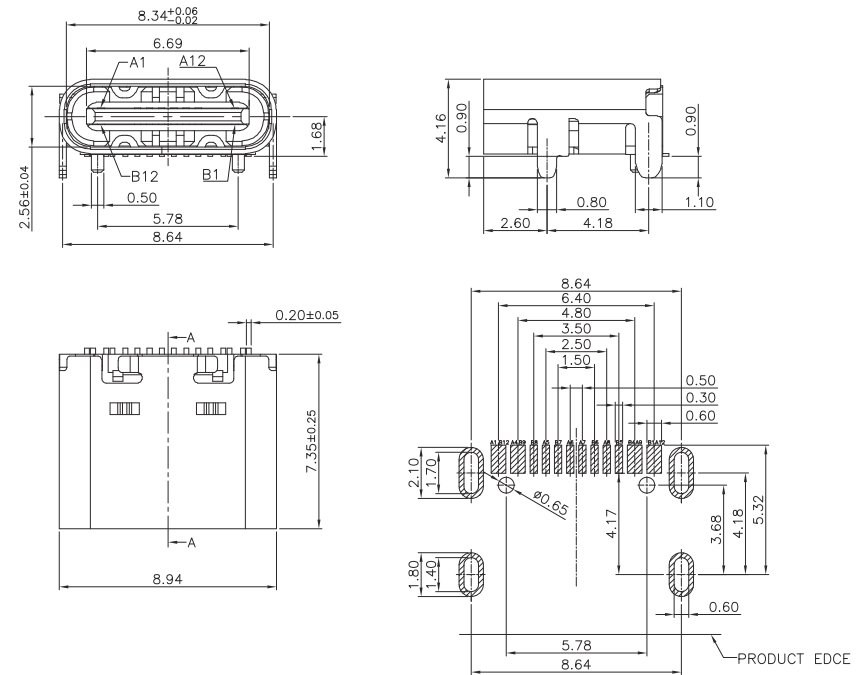
# USB Type-C Connectors

## USB-CA16HTBTR



P.C.B Layout

## USB-CB16HTBTR



P.C.B Layout

## USB-CC16HMXT

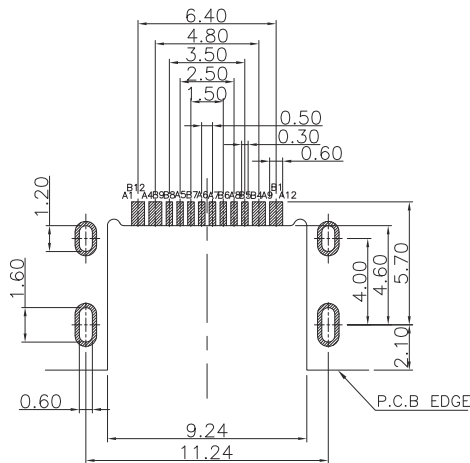
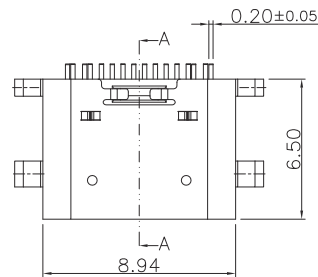
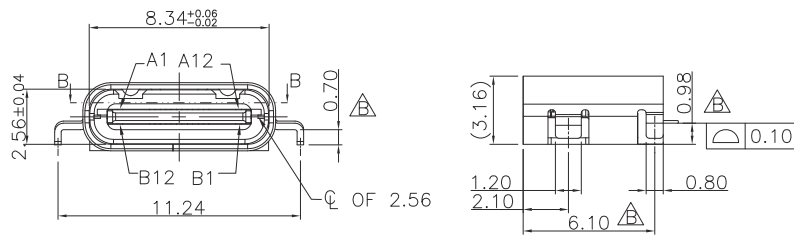


### How to order

USB-CC16HMXT

①

① B: Black  
W: White



### P.C.B Layout

## USB-CD16HMXT

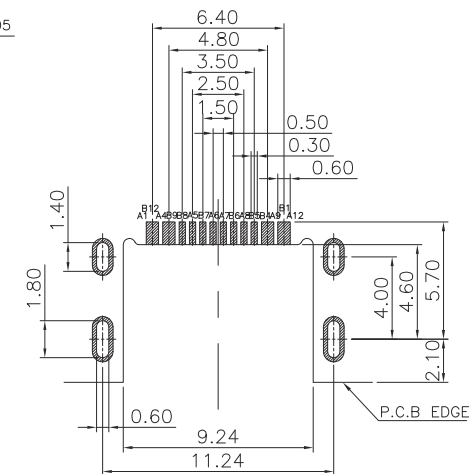
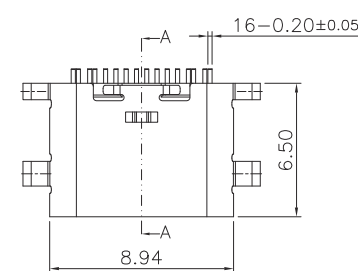
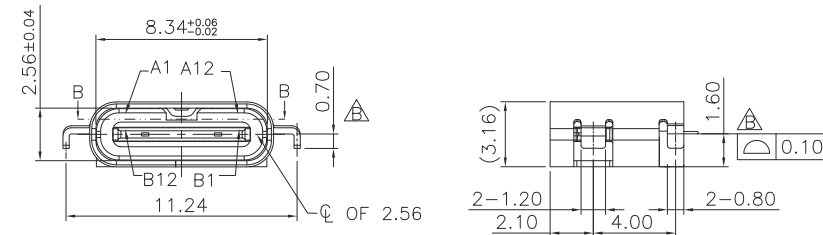


### How to order

USB-CD16HMXT

①

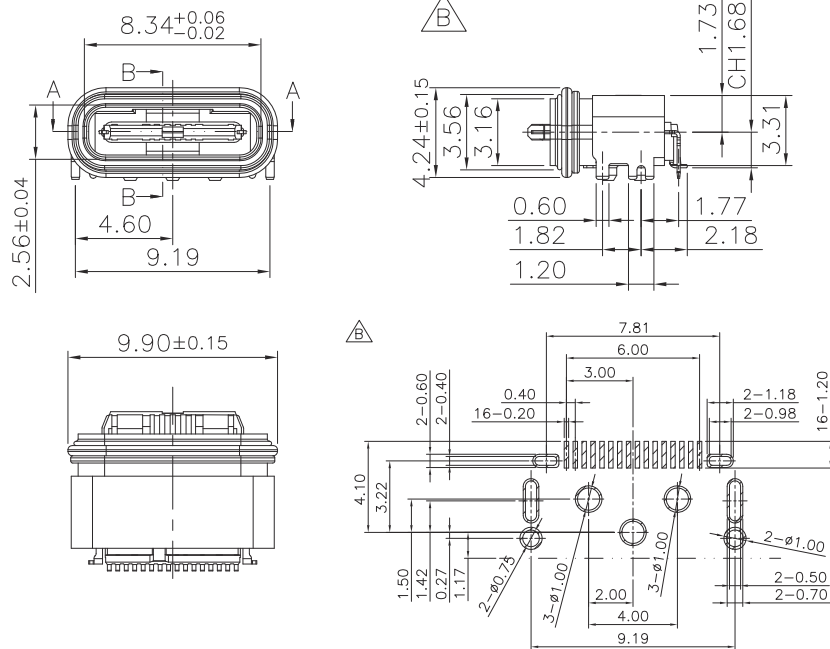
① B: Black  
W: White



### P.C.B Layout

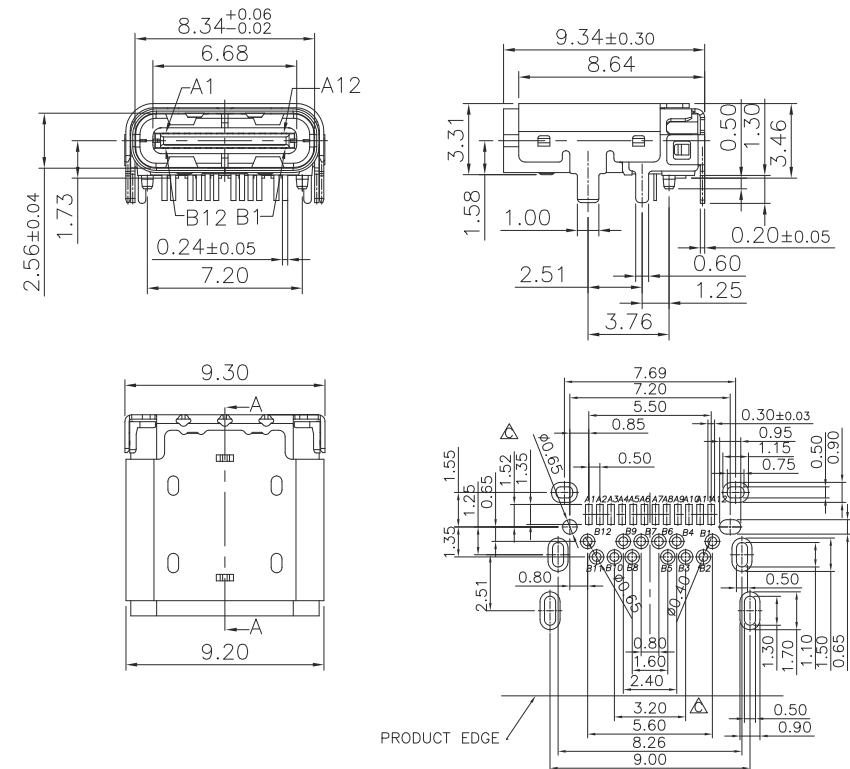
# USB Type-C Connectors

## USB-CE16HTBTR



P.C.B Layout

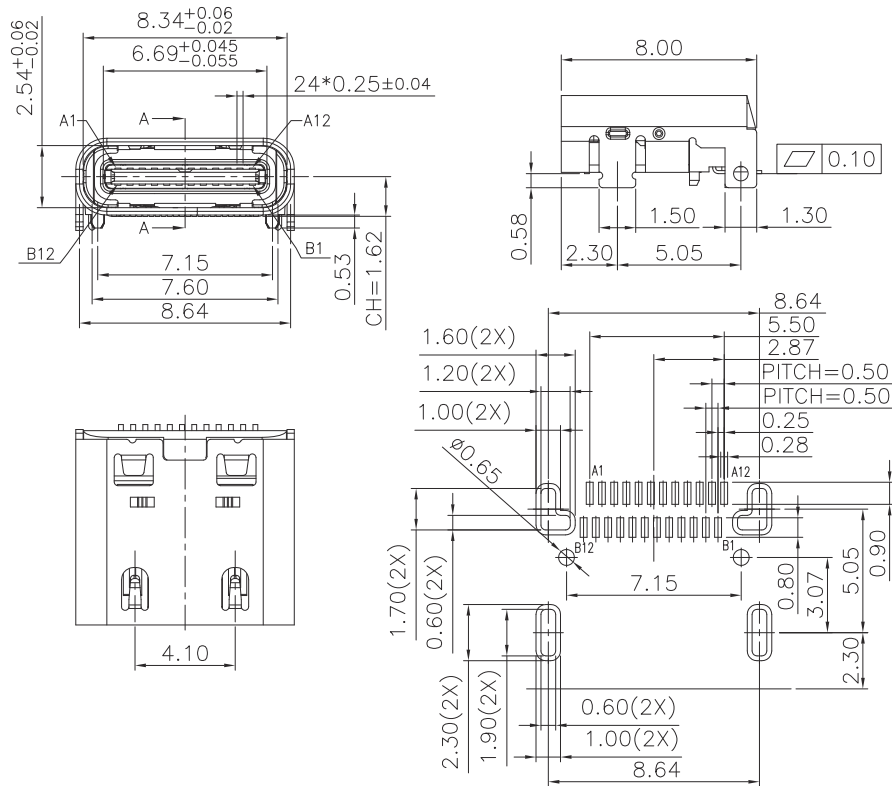
## USB-CF24HTBTR



P.C.B Layout

# USB Type-C Connectors

## USB-CI24HTBTR



P.C.B Layout

## USB-CJ24HMXTTR

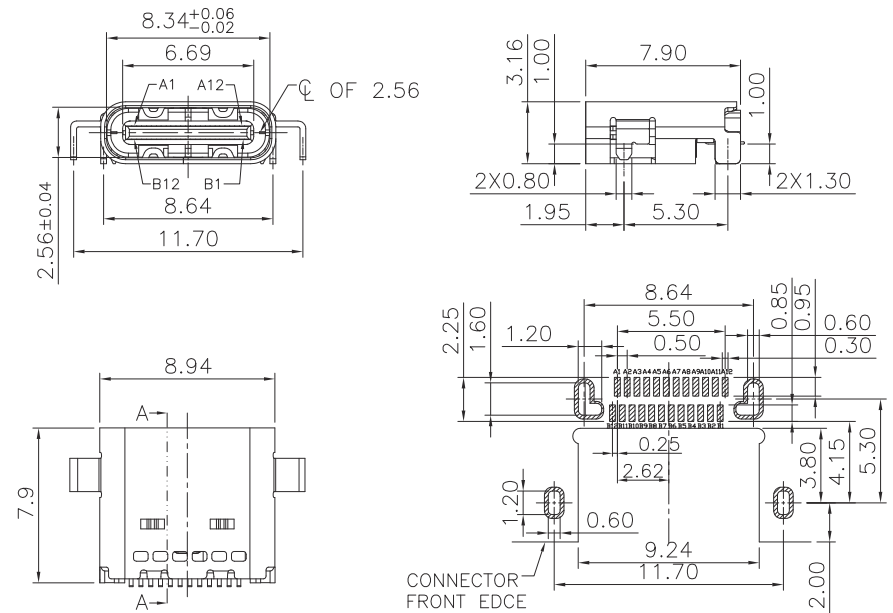


### How to order

USB-CJ24HMXTTR

①

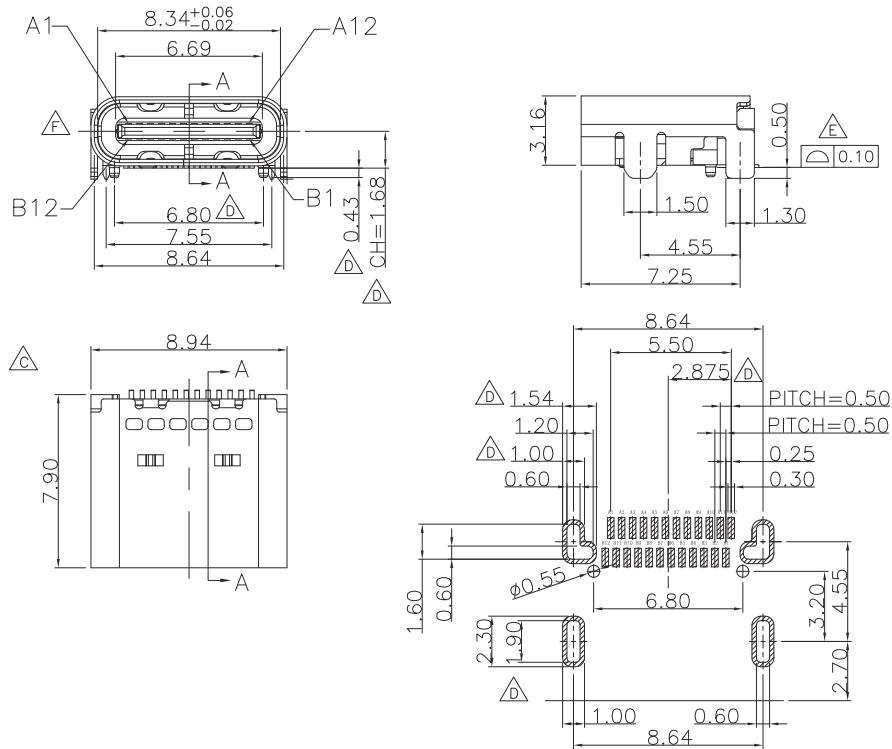
① B: Black  
W: White



P.C.B Layout

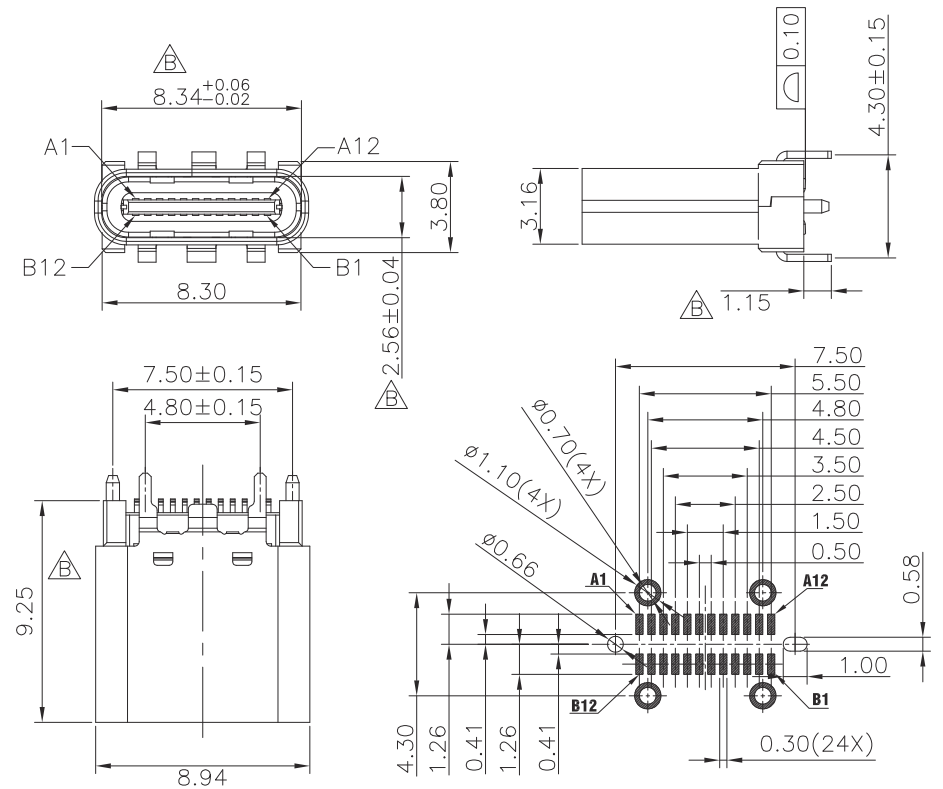
# USB Type-C Connectors

## USB-CG24HTBTR



P.C.B Layout

## USB-CH24VTBTR



P.C.B Layout