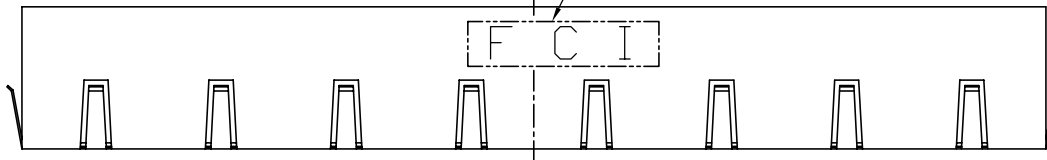


FCI LOGO (SEE NOTE 3)



114.3

97.79 (13.97x7 pitch)

13.97 TYP.

PIN 1

PIN 8

LED1 (OPTIONAL)

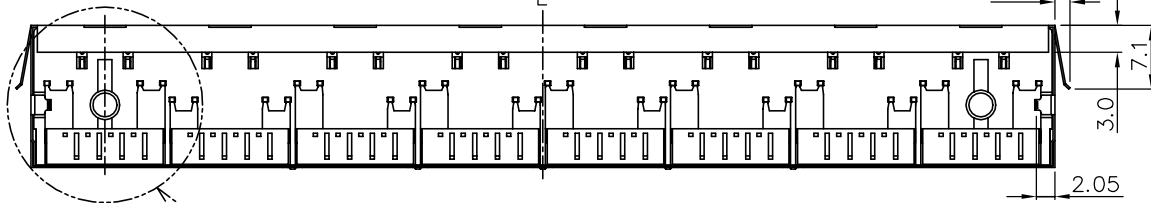
LED2 (OPTIONAL)

13.97 TYP.

55.88 (13.97x 4 pitch)

110.0

1.7



12.95

3.7

2.8

2.75±0.25

1.20

2.40

8.87

3.35

3.15±0.25

3.85

2.54

7.1

3.0

2.05

1.7

7.1

2.05

1.7

7.1

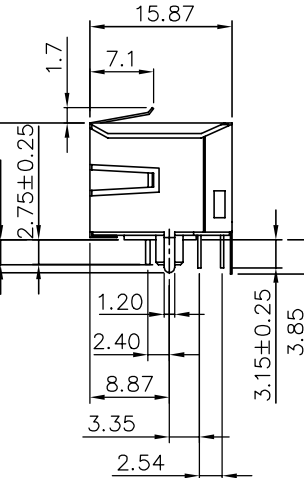
2.05

1.7

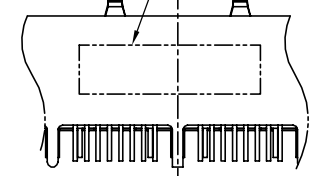
7.1

2.05

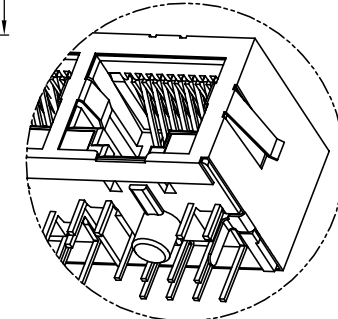
1.7



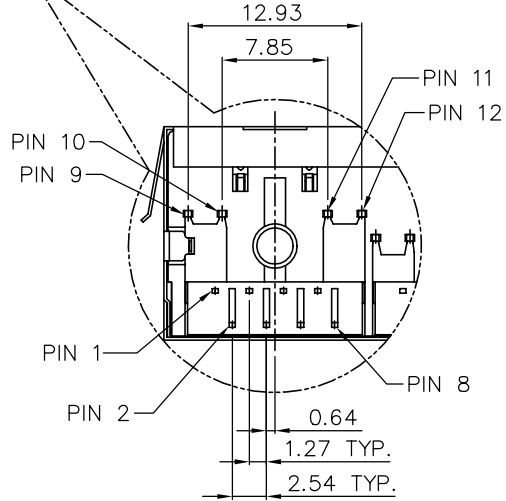
PRINT DATE CODE (SEE NOTE 4)



BACK VIEW



PARTIAL VIEW



12.93

7.85

PIN 11

PIN 12

PIN 10

PIN 9

PIN 1

PIN 8

PIN 2

0.64

1.27 TYP.

2.54 TYP.

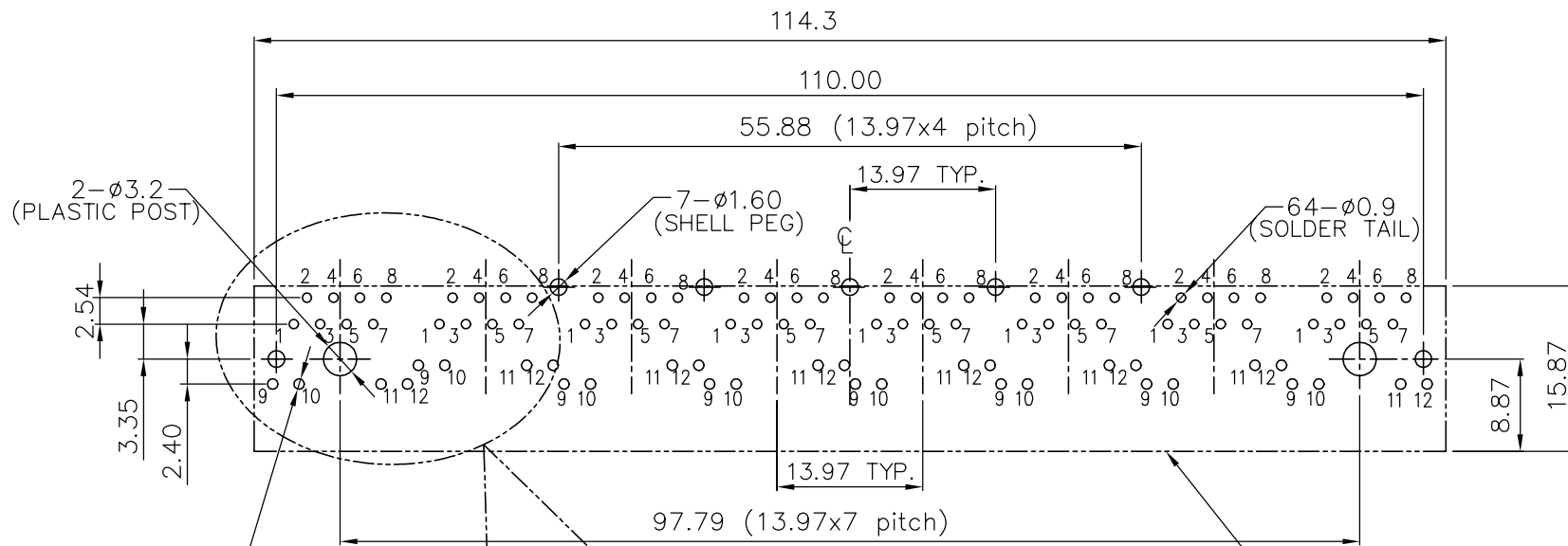


Copyright FCI.

mat'l. code				tolerances unless otherwise specified			CUSTOMER COPY		FCI www.fciconnect.com		
ltr	ecn no	dr	date	linear	.X ±0.25		projection	title			
A	T10-0122	WL	08/02/10		.XX ±0.20			RJ 1x8 TAB DOWN WITH LED & EMI WITHOUT TRANSFORMER			
B	T10-0125	WL	08/05/10		.XXX ±0.15			product family			
C	ECN-ELX-N-008544	A.ZH	12/06/11	angles			MM	size		code	
				dr	WENDY CHEN	02/25/10		A4		10113616	NT
				enrg	WENDY CHEN	02/25/10		scale		sheet	
				chr	GARY HSIEH	02/25/10			1 of 3		
				appd	JOSEPH HSIA	02/25/10					
sheet index	revision sheet	C 1~3									

PDS: Rev :C

STATUS: Released 22526 Printed: Dec 14, 2011



2-ø3.2  
(PLASTIC POST)

7-ø1.60  
(SHELL PEG)

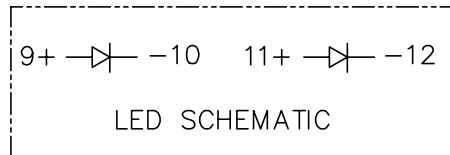
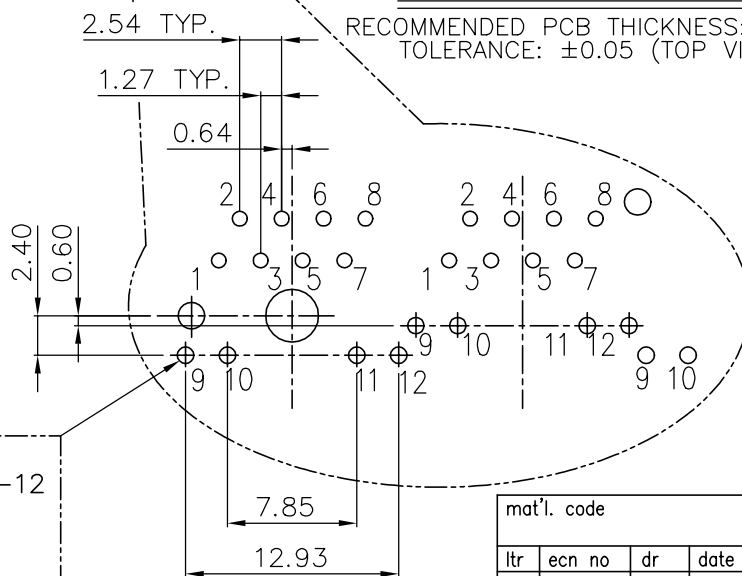
64-ø0.9  
(SOLDER TAIL)

32-ø1.00  
(LED SOLDER TAIL)

RECOMMENDED PCB LAYOUT

RECOMMENDED PCB THICKNESS: 1.6mm  
TOLERANCE: ±0.05 (TOP VIEW)

KEEP OUT ZONE.  
NO PATTERN UNDER THIS AREA.



mat'l. code				tolerances unless otherwise specified			CUSTOMER COPY		FCJ www.fcconnect.com	
ltr	ecn no	dr	date	linear	.X ±0.25		projection	title		
C					.XX ±0.20			RJ 1x8 TAB DOWN WITH LED & EMI WITHOUT TRANSFORMER		
					.XXX ±0.15			product family		
				angles			MM	size		code
				dr	WENDY CHEN	02/25/10		A4		NT
				enrg	WENDY CHEN	02/25/10		10113616		sheet
				chr	GARY HSIEH	02/25/10				2 of 3
				appd	JOSEPH HSIA	02/25/10				
sheet index	revision sheet									



Copyright FCI.

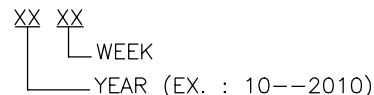
NOTE:

1. MATERIAL:
  - HOUSING: THERMOPLASTIC HIGH TEMPERATURE, UL 94V-0, COLOR-BLACK.
  - INSERT HOUSING: THERMOPLASTIC HIGH TEMPERATURE, UL 94V-0, COLOR-BLACK.
  - CONTACTS: COPPER ALLOY.
  - LED SOLDER TAIL: STEEL.
  - SHIELD: COPPER ALLOY.
2. FINISH:
  - CONTACTS: 50u" MIN. NICKEL UNDER PLATED OVER ALL. SELECTIVE GOLD PLATED ON CONTACT AREA, 1u" GOLD PLATED ON SOLDER TAIL.
  - LED SOLDER TAIL: 100u" MIN. MATTE TIN OVER 50u" NICKEL UNDER PLATED.
  - SHELL: 20u" MIN. NICKEL OVER ALL.

6. PRODUCT PERFORMANCE PER SPEC. : GS-12-0990.
7. PACKING SPEC. : GS-14-1503.
8. THIS PRODUCT MEETS THE EUROPEAN UNION DIRECTIVE AS DESCRIBED IN GS-22-008.
9. THE HOUSING WILL WITHSTAND EXPOSURE TO 265°C PEAK TEMPERATURE FOR 5 SECONDS IN A WAVE SOLDER APPLICATION WITH A CIRCUIT BOARD.

3. "FCI" LOGO IS STAMPED ON THE SHIELD.

4. "DATE CODE" DESCRIPTION:



5. PART NUMBER DESCRIPTION:

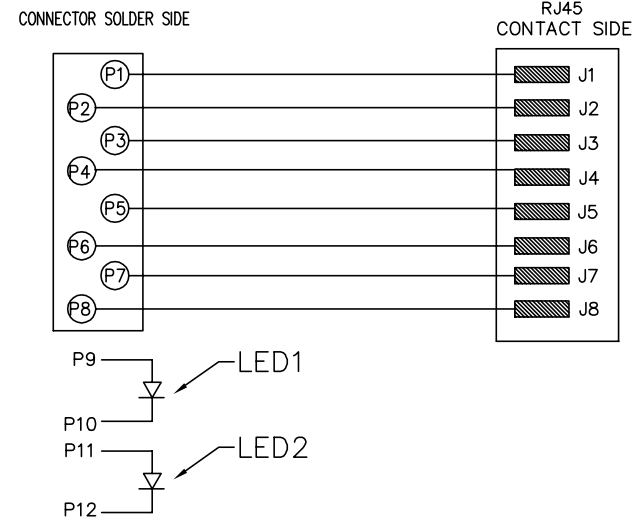
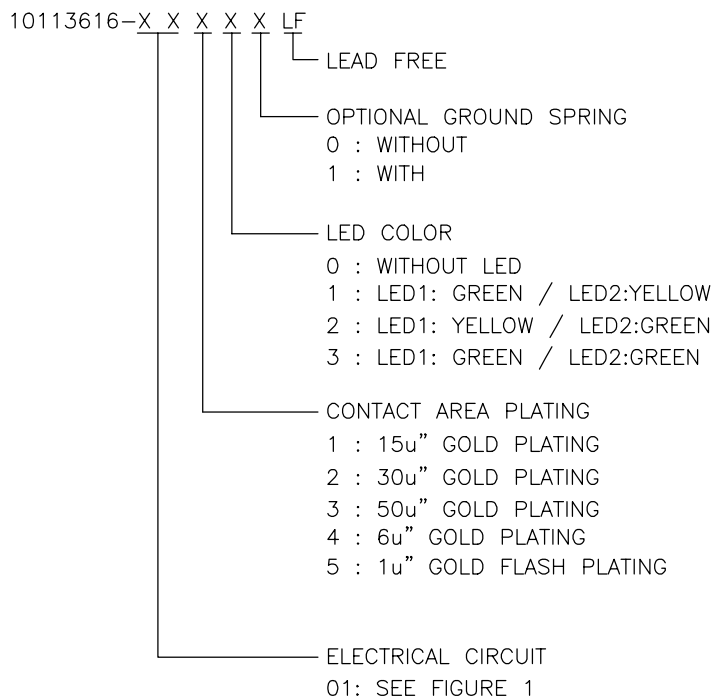


FIGURE 1

mat'l. code				tolerances unless otherwise specified			CUSTOMER COPY		FCI		www.fciconnect.com	
ltr	ecn no	dr	date	linear	.X ±0.25		projection	title RJ 1x8 TAB DOWN WITH LED & EMI WITHOUT TRANSFORMER				
C					.XX ±0.20							
					.XXX ±0.15							
				angles			MM	product family		code		
				dr	WENDY CHEN	02/25/10		size		NT		
				engr	WENDY CHEN	02/25/10		dwg no		sheet		
				chr	GARY HSIEH	02/25/10	scale	A4		10113616		
				appd	JOSEPH HSIA	02/25/10				3 of 3		
sheet index	revision sheet											



Copyright FCI.

B

B