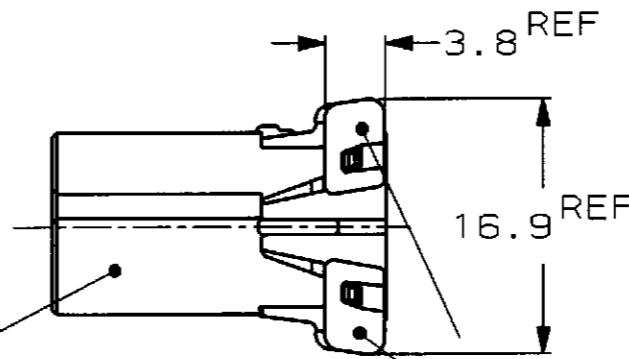
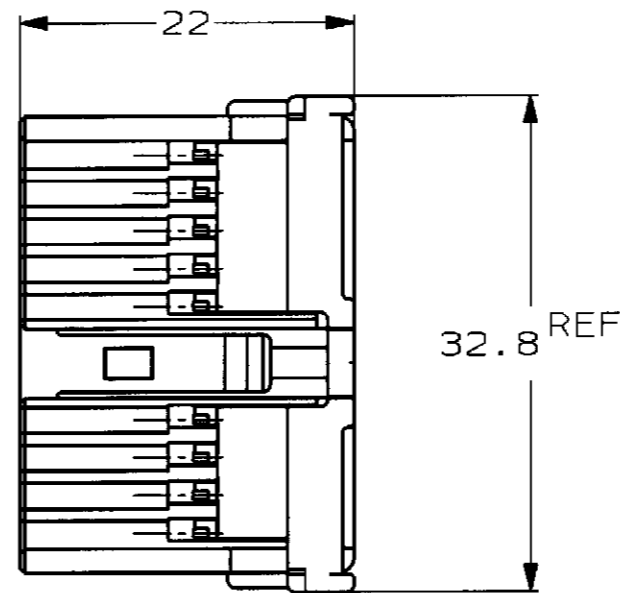
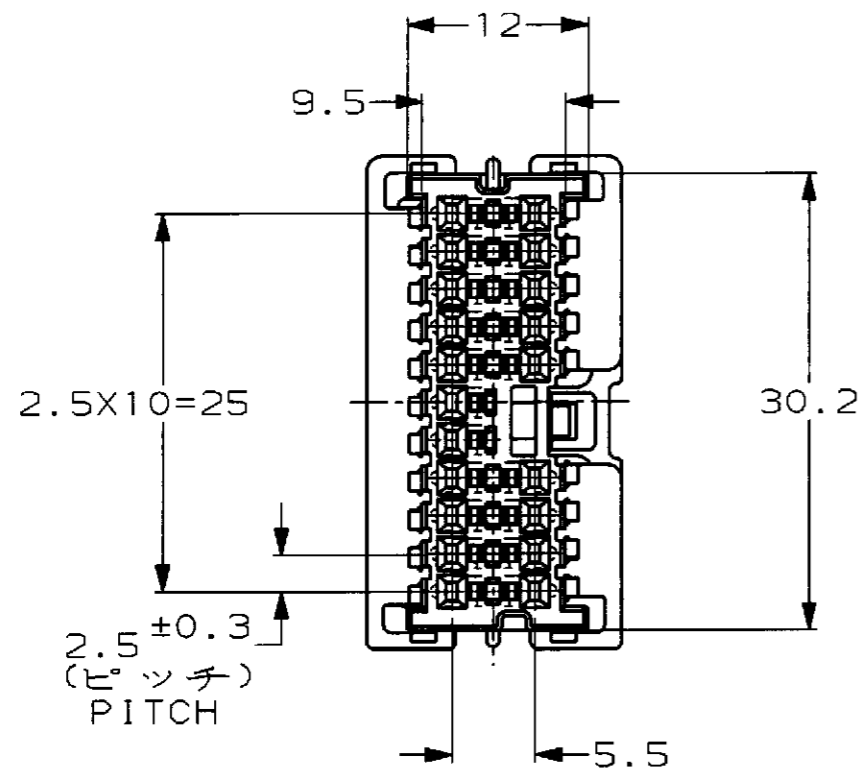


LOC DIST J

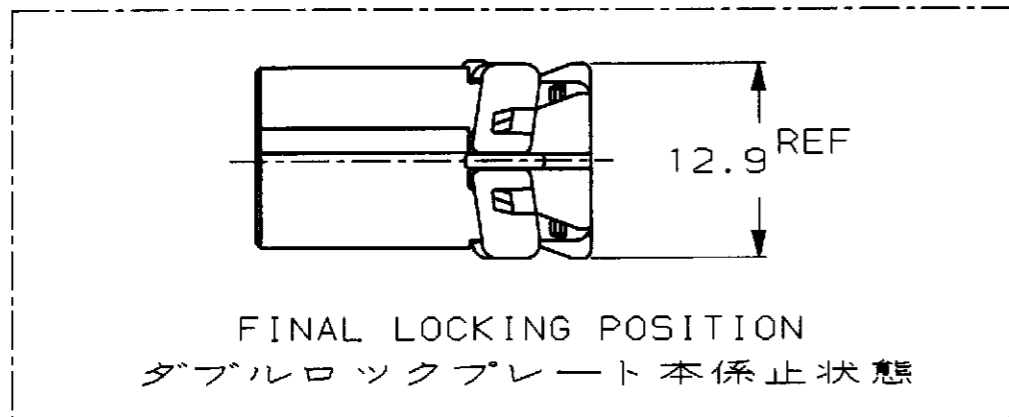
REVISIONS

P	LTR	DESCRIPTION	ECN	DATE	DWN	APVD
A		再作成 REDRAWN	FJ00-0506-98	09APR98	TM	MT
B		変更 REVISED	FJ00-2023-98	26OCT98	TM	MT



PLUG HOUSING  
プラグハウジング

DOUBLE LOCK PLATE (NATURAL)  
ダブルロックプレート(自然色)



1123427-3	1123360-3	316836-1 316837-2(AU)	茶色 (BROWN)	1123383-3
電線対基板用 WIRE TO BOARD	電線対電線用 WIRE TO WIRE	適用端子型番 APPLICABLE CONTACT	色 (COLOR)	型番 PART NUMBER
嵌合相手ハウジング型番 MATING HOUSING PART NUMBER				
THIS DRAWING IS A CONTROLLED DOCUMENT FOR AMP INCORPORATED. IT IS SUBJECT TO CHANGE AND THE CONTROLLING ENGINEERING ORGANIZATION SHOULD BE CONTACTED FOR THE LATEST REVISION.				
DIMENSIONS: 単位: 概 mm		TOLERANCES UNLESS OTHERWISE SPECIFIED		08APR98 T. MINEMATSU CHK E. SASAKI 10APR98 M. TSUKAKOSHI APVD
MATERIAL 材料 PBT		FINISH 仕上		NAME 040III MULTILOCK CONNECTOR 20POSITION PLUG HOUSING ASSEMBLY(WIRE TO WIRE) 040III マルチロック コネクタ 20極 プラグハウジング アッセンブリ(対電線用)
WEIGHT 4.5g		SIZE A3	CAGE CODE 00779	DRAWING NO 1123383
CUSTOMER DRAWING		SCALE 2:1		SHEET 1 OF 1

Auto2/new/u.c98-0070/u.customer/sr-1123383